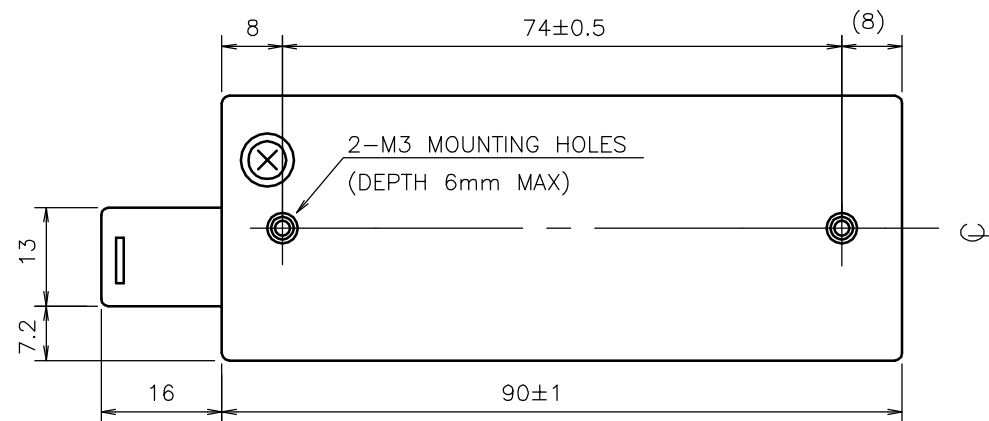


===ACCESSORIES===

*COVER FOR BARRIER TERMINAL STRIP ---- 1

*METAL PIECE FOR SHORTING PURPOSES ACG & FG ----1
(MOUNTED ON TERMINAL STRIP AT TIME OF SHIPMENT.)



(unit : mm)

MODEL	EWS15
DENSEI-LAMBDA	
PA710-02-01N	