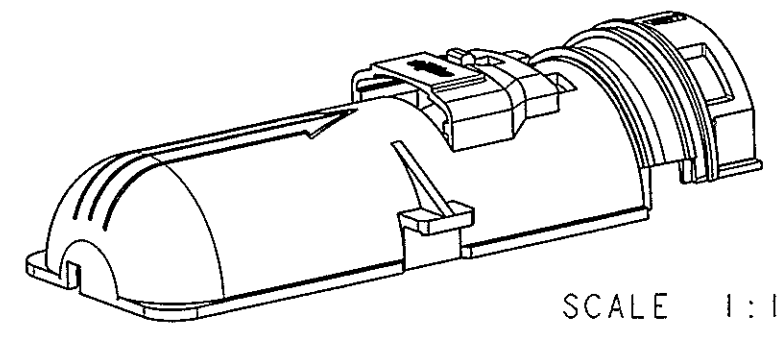
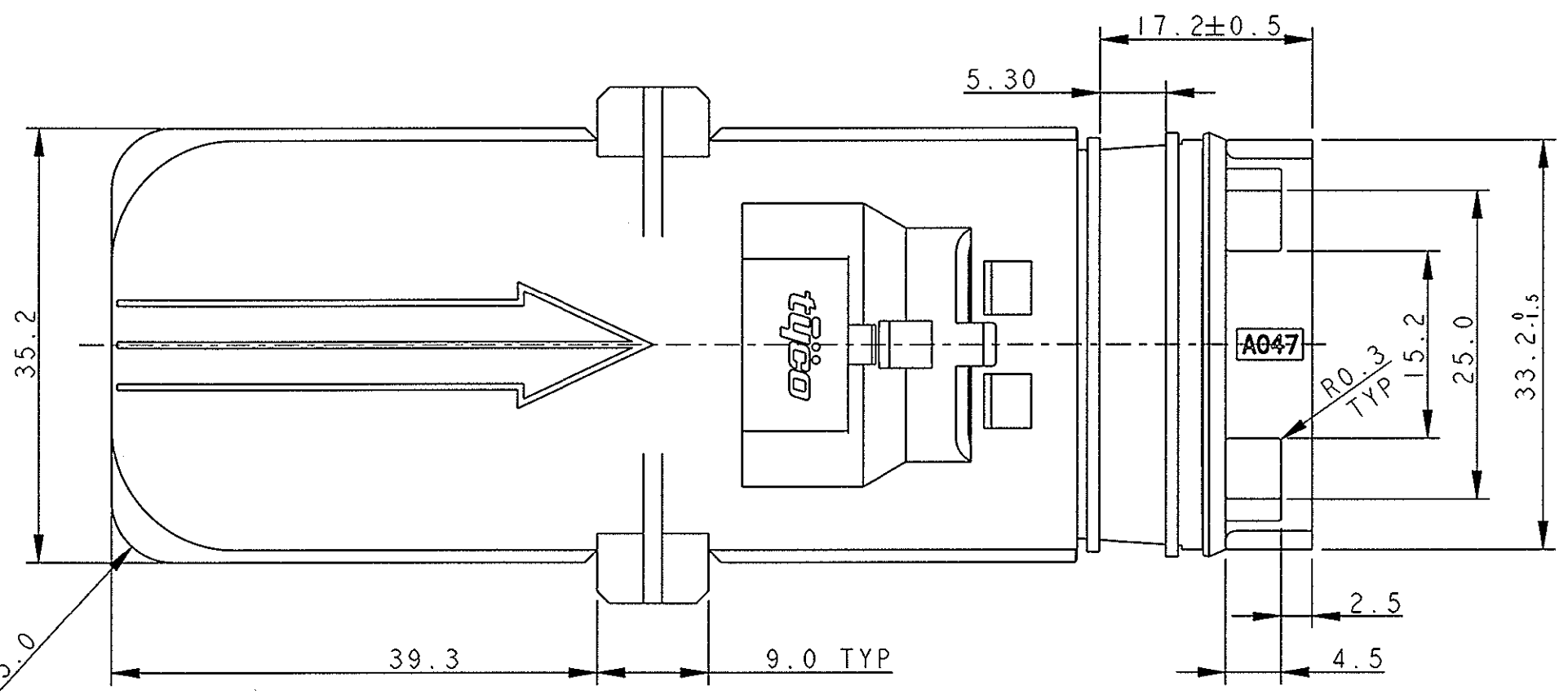
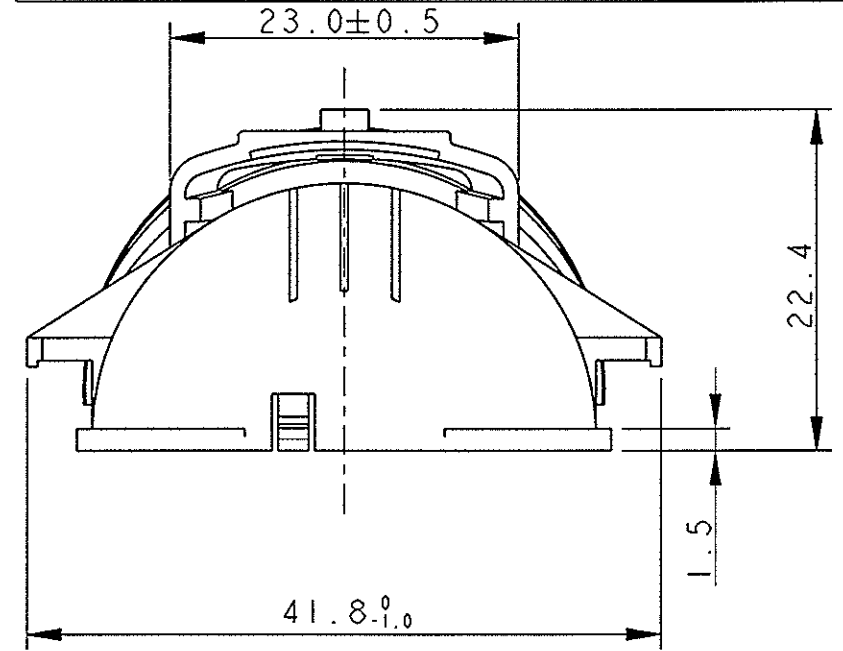
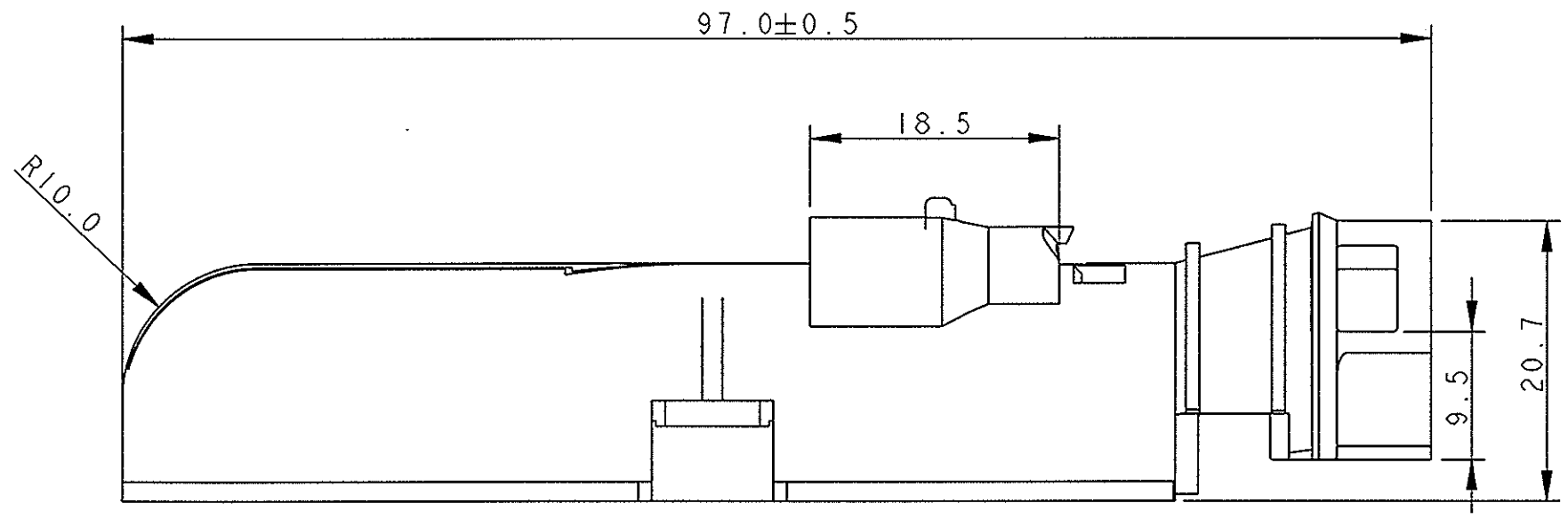


LOC 1 DIST -

REVISIONS					
P	LTR	DESCRIPTION	DATE	DWN	APVD
A		FIRST ISSUE (PRIMA EMISSIONE) ET00-0112-03	18JUL2003	M.P.	O.C.
B1		ADDED TIE SLOT (WAS 03-51169) ET00-0159-03	10SEP2003	M.P.	O.C.
B2		RELEASED FOR PRODUCTION (ET00-0059-04)	29APR2004	M.P.	O.C.



284722-1 AS SHOWN

NOTES

1) COVER IS SUITABLE TO BE ASSEMBLED WITH TYCO CONNECTOR P/N 3-1355136-3 AND TYCO C.P.A (IL COPERCHIO SI ASSEMBLA CON IL CONNETTORE TYCO P/N 3-1355136-3 E IL C.P.A. DI TYCO)

2 MATERIAL : PA6.6 GF BLACK COLOUR (MATERIALE : PA 6.6 FV COLORE NERO)

DIMENSIONS: mm		TOLERANCES UNLESS OTHERWISE SPECIFIED:	
	0 PLC	±0.3	
	1 PLC	±0.3	
	2 PLC	±0.3	
	3 PLC	±	
	4 PLC	±	
	ANGLES	±1°	
MATERIAL	FINISH		
2	2		

OWN	M. POLIZZI	25JUN2003
CHK	O. CANUTO	25JUN2003
APVD	A. GENTA	25JUN2003
PRODUCT SPEC	108-20235	
APPLICATION SPEC	I.S. 411-20067	
WEIGHT	-	
CUSTOMER DRAWING		

tyco Electronics		tyco Electronics AMP Italia C.so Fratelli Cervi, 15 Collegno (To)	
NAME: COVER FOR 94 POS. RECEPTACLE HOUSING Coperchio per connettore femmina 94 vie			
SIZE	CAGE CODE	DRAWING NO	RESTRICTED TO
A3	00779	C-284722	-
SCALE 2:1		SHEET 1 OF 1	REV B2