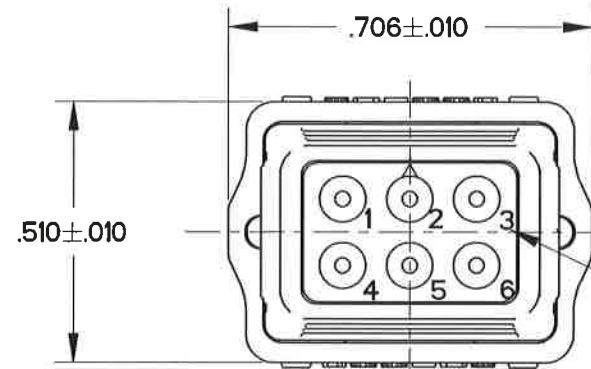


SQR620100

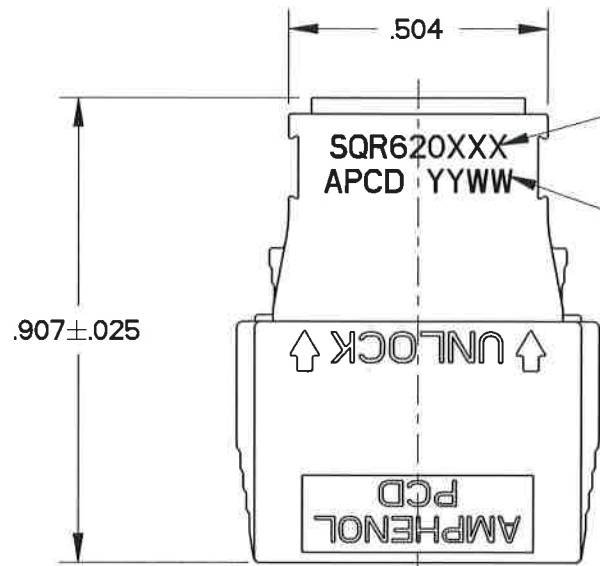
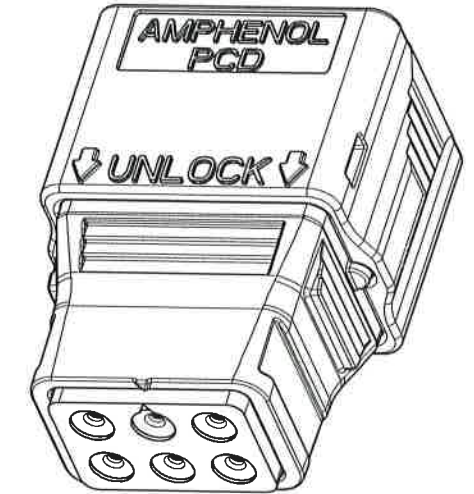
TABLE I - PART NUMBER SCHEME

APCD P/N	CONTACTS SUPPLIED	COLOR / KEY	P/N MARKING	PART MATES WITH	COUPLING NUT COLOR
SQR620121	(6) M39029/58-363	WHITE / C	SQR620120	SQR620270 SQR620570	BLUE
SQR620120	NONE				
SQR620111	(6) M39029/58-363	GREEN / B	SQR620110	SQR620260 SQR620560	
SQR620110	NONE				
SQR620101	(6) M39029/58-363	BLACK / A	SQR620100	SQR620250 SQR620550	
SQR620100	NONE				

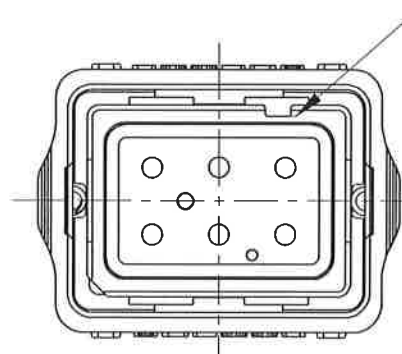
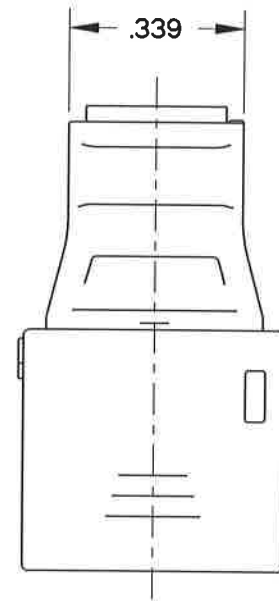
REV	ECN	APP'D
-	7845	JW 12/28/16



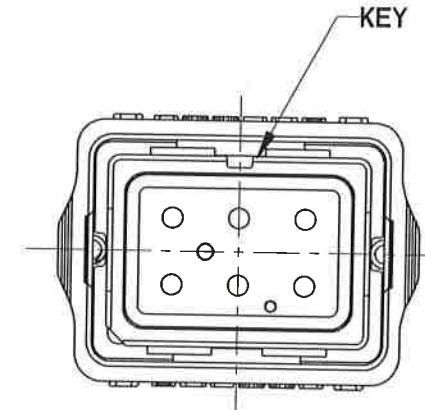
GROMMET MARKING
COLOR: CONTRASTING



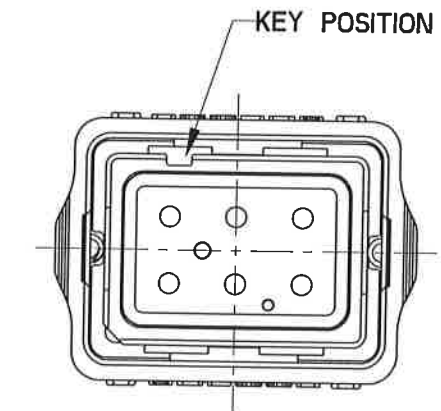
P/N MARKING
SEE TABLE I
COLOR: CONTRASTING
DATE CODE



KEY POSITION



KEY B: SQR620110



KEY C: SQR620120

NOTES:

- MATERIALS:
OUTER HOUSING: POLYETHERIMIDE
INNER HOUSING: POLYETHERIMIDE
CONTACT RETAINER: STAINLESS STEEL
COUPLING NUT: PA6/6
COMPRESSION SPRING: STAINLESS STEEL
GROMMET&FACE SEAL: SILICONE RUBBER PER A-A-59588
- PART ACCEPTS M39029/58-363 CONTACTS
- WEIGHT: 3.5g

KEY A: SQR620100

DIMENSIONS ANSI Y14.5M UNITS: INCHES Pro/E FILE	TOLERANCES .XX ±0.01 .XXX ±0.005 ANGLES ±0.5°	PROJECTION 	Amphenol Pcd SPECIFICATION DRAWING ENGR TONY.CHEN Apr-05-16	TITLE 6 POS SIZE 20 PLUG WITH PIN CONTACTS SQR SIZE 2	
ORIGINAL	THIS DOCUMENT CONTAINS PROPRIETARY INFORMATION WHICH IS THE CONFIDENTIAL PROPERTY OF AMPHENOL PCD INC., BEVERLY, MA	CHKD <i>Willie</i> Jan 12/28/16	APPD <i>Jason</i> 12/28/16	SIZE B	DWG NO. SQR620100
		CODE: 58982	SCALE: 8:3	SHEET 1 OF 1	

SQR620100

SQR620100