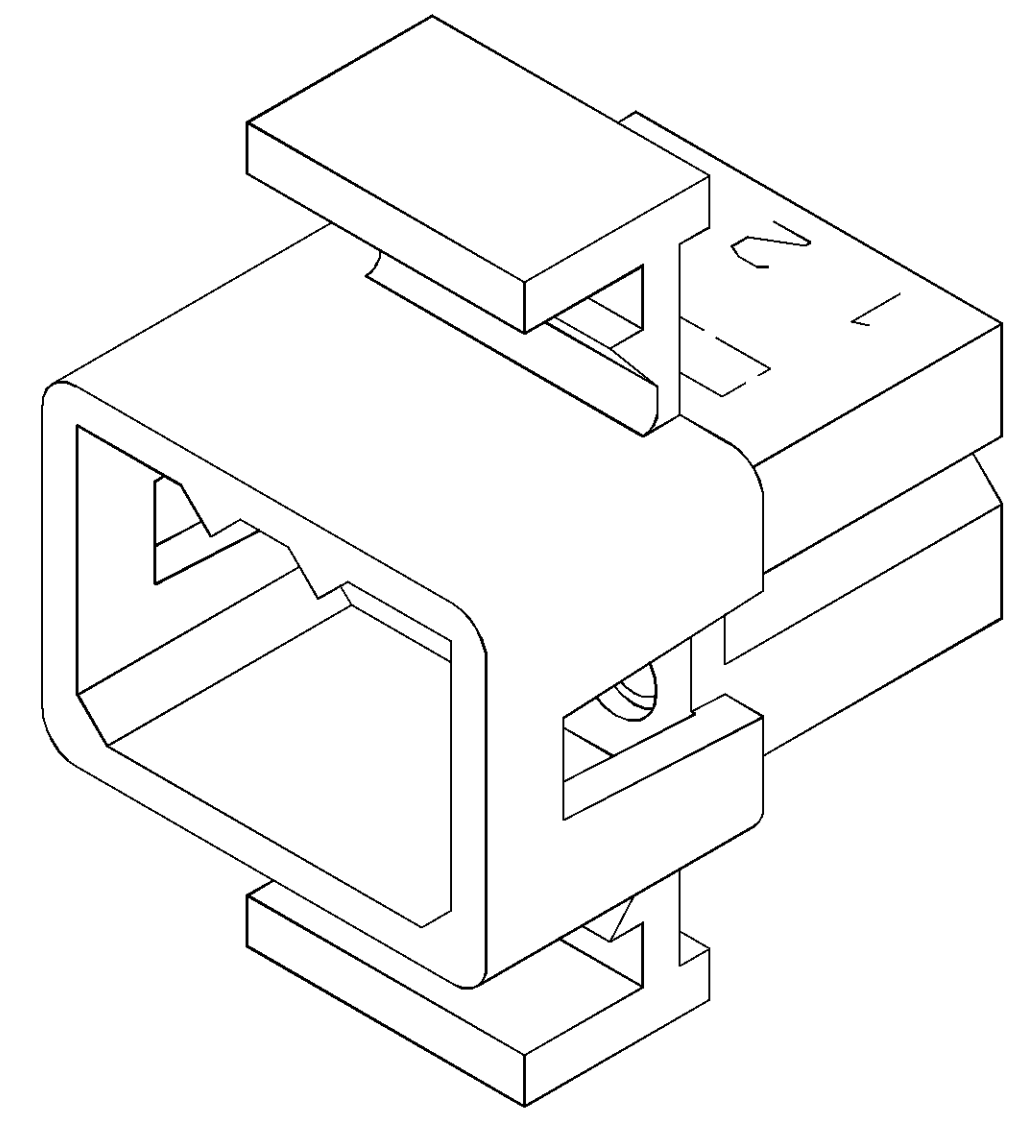
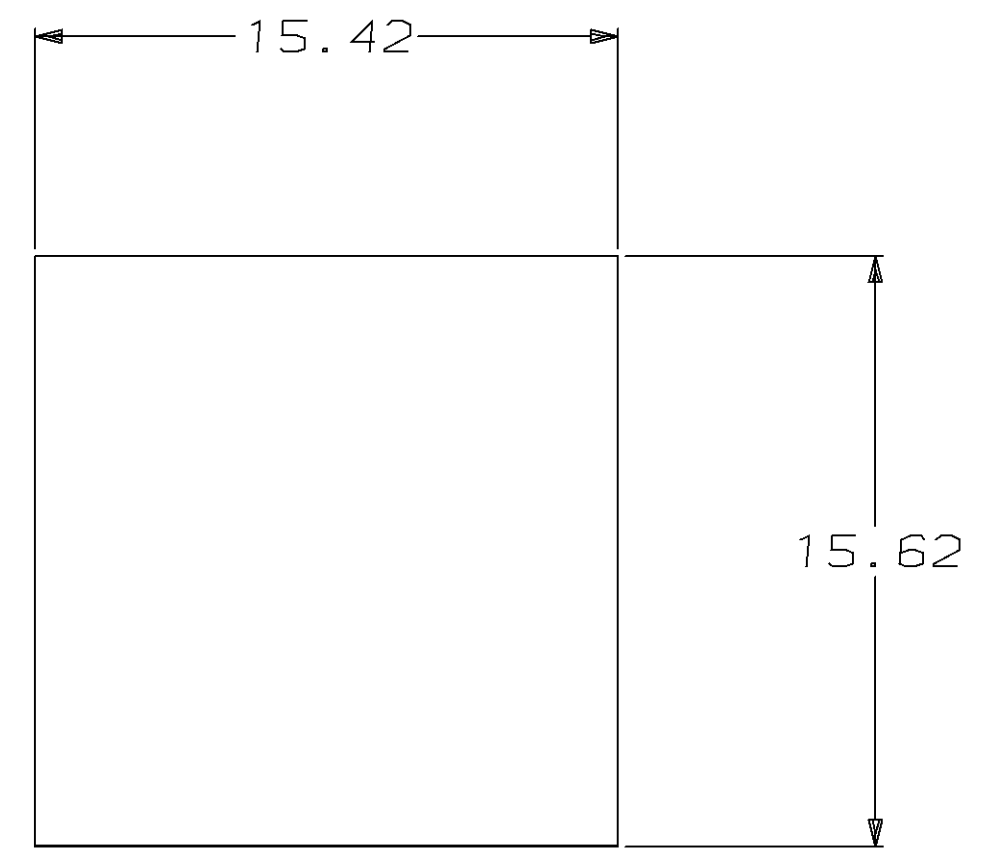
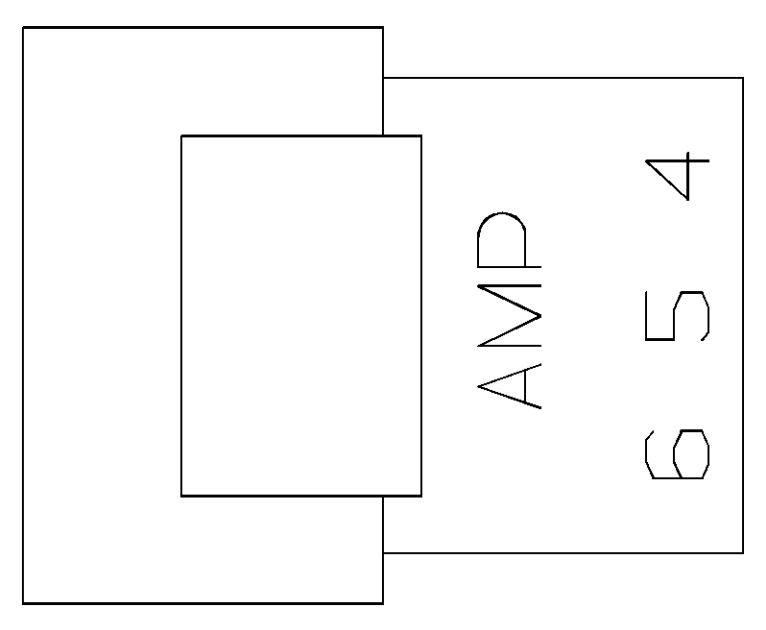
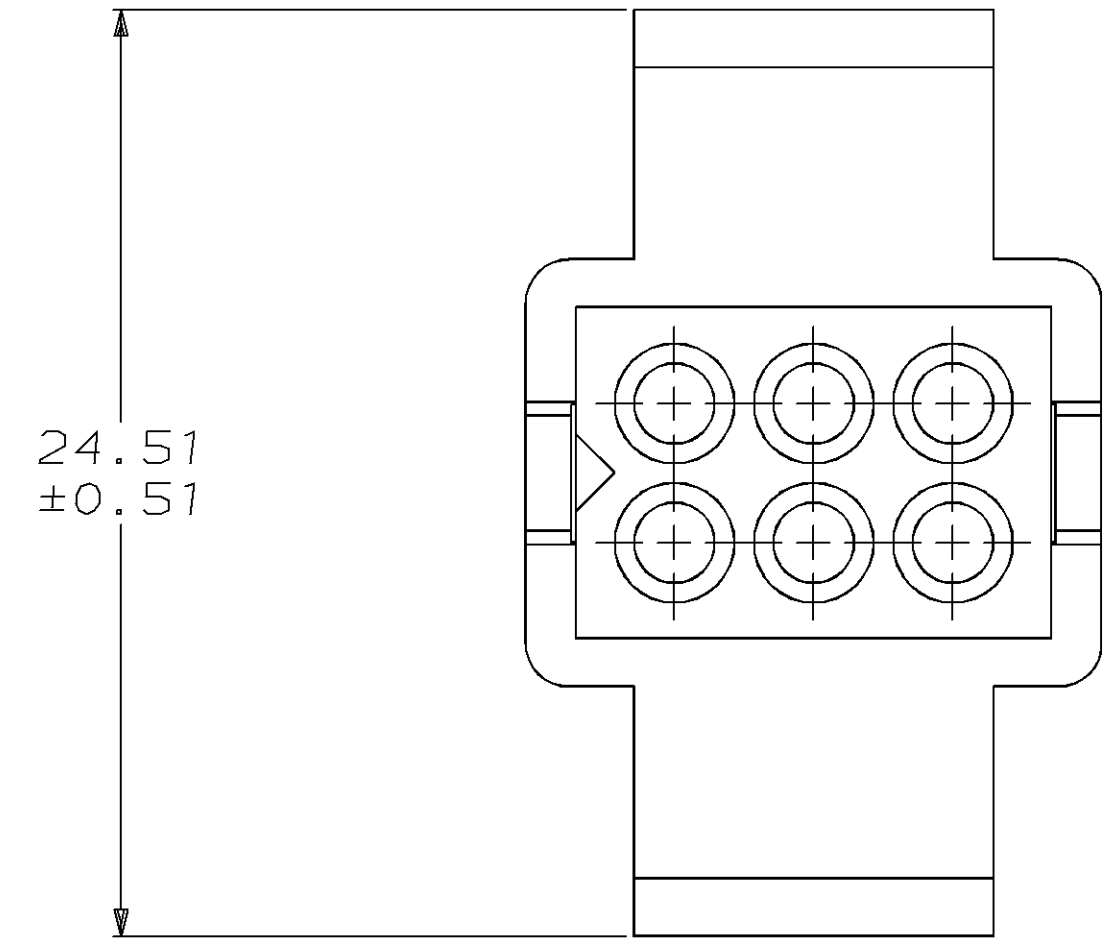
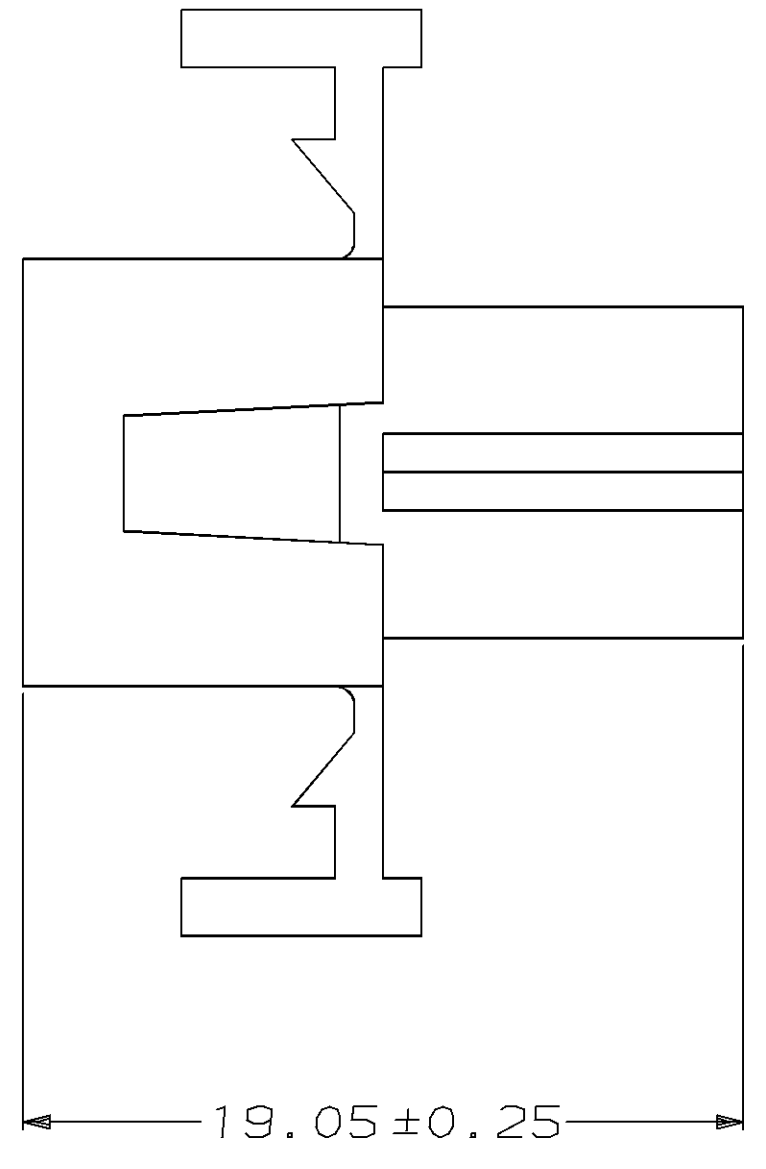
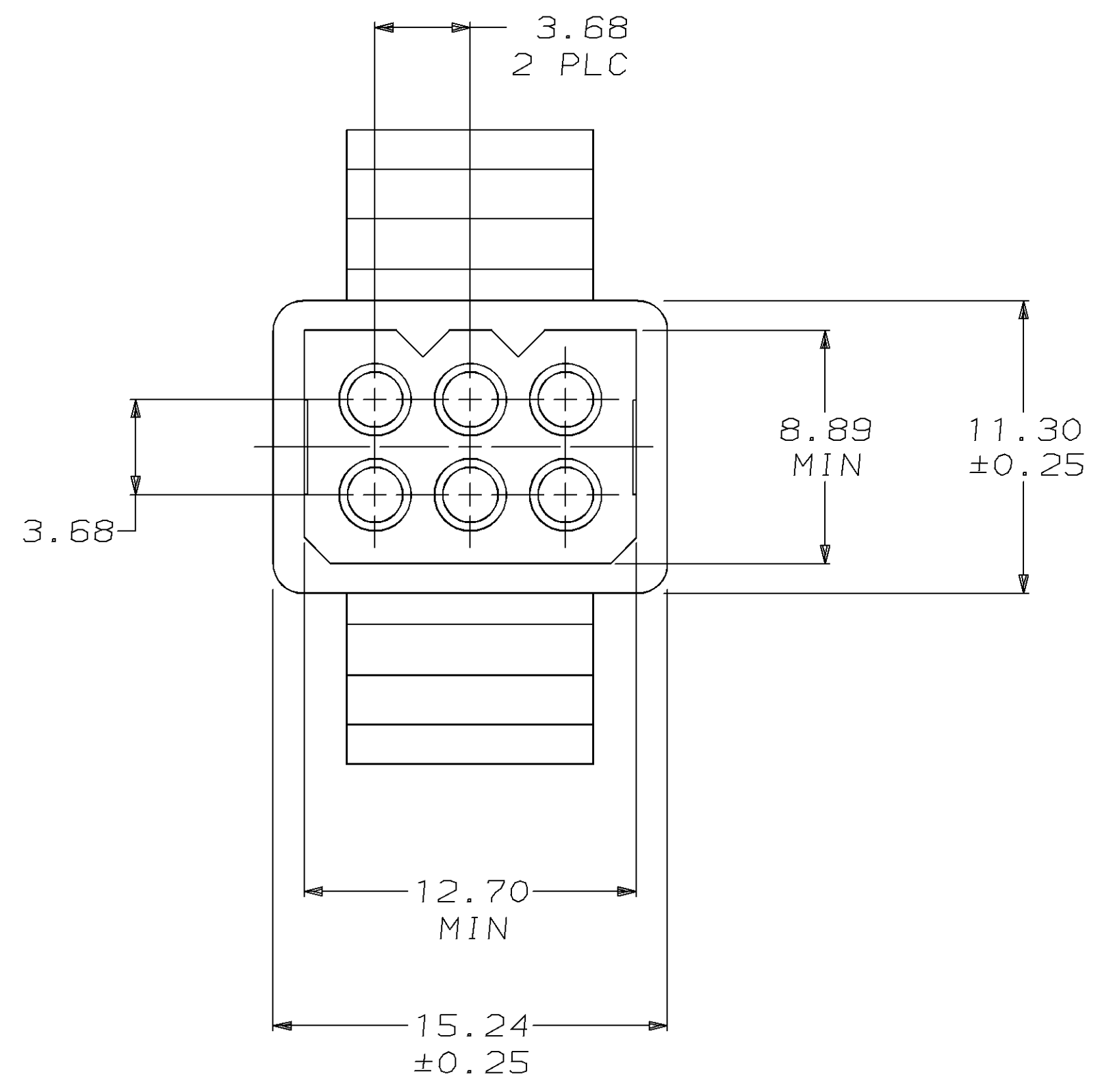
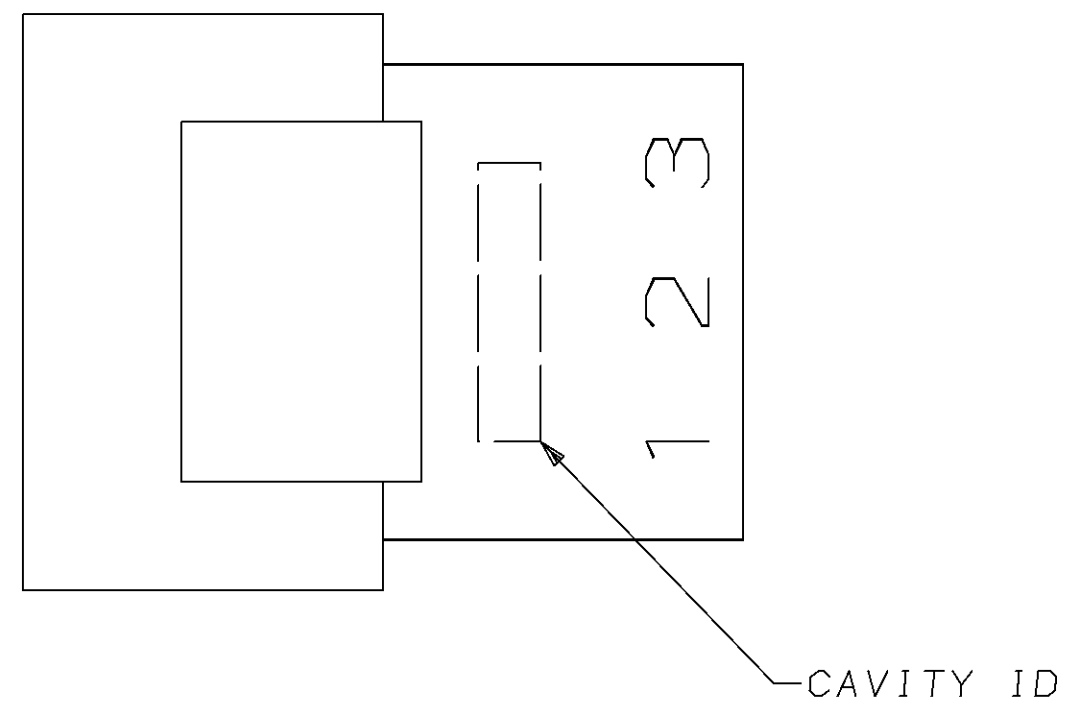


LOC		DIST		REVISIONS			
P	LTR	DESCRIPTION	DATE	DWN	APVD		
C		REV & REDWN PER EC OL30-0066-96	10-02-96	KW	RS		



3-DIMENSIONAL MODEL NTS

MM	IN	MM	IN
8.89	.350	24.51	.965
3.68	.145	19.05	.750
1.58	.062	15.62	.615
1.52	.060	15.42	.607
0.51	.020	15.24	.600
0.25	.010	12.70	.500
0.13	.005	11.30	.445
MM	IN	MM	IN

CONVERSION TABLE



THIS DRAWING IS A CONTROLLED DOCUMENT.

DIMENSIONS:	TOLERANCES UNLESS OTHERWISE SPECIFIED:	DWN K. WHITAKER 10-02-96	AMP Incorporated Harrisburg, PA 17105-3608
mm	0 PLC ±.010 1 PLC ±.010 2 PLC ±.013 3 PLC ±.010 4 PLC ±.010 ANGLES ±.010	CHK R. SWING 10-02-96	AMP
MATERIAL NYLON, UL 94V-2, NATURAL	FINISH -	APVD C. CASH 10-09-96	NAME PLUG, PANEL MOUNT, 6 CIRCUIT, .062 PIN AND SOCKET
		WEIGHT -	SIZE A1
		CUSTOMER DRAWING	CASE CODE 00779
			DRAWING NO 770353
			SCALE 5:1
			SHEET 1 of 1
			REV C

770353-1
PART NUMBER