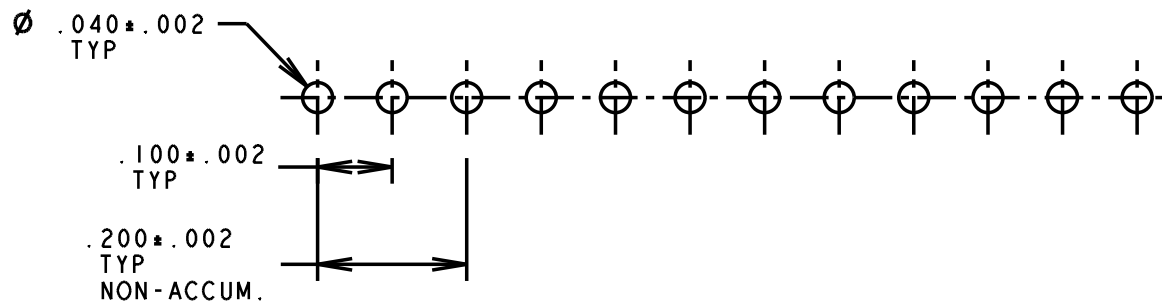
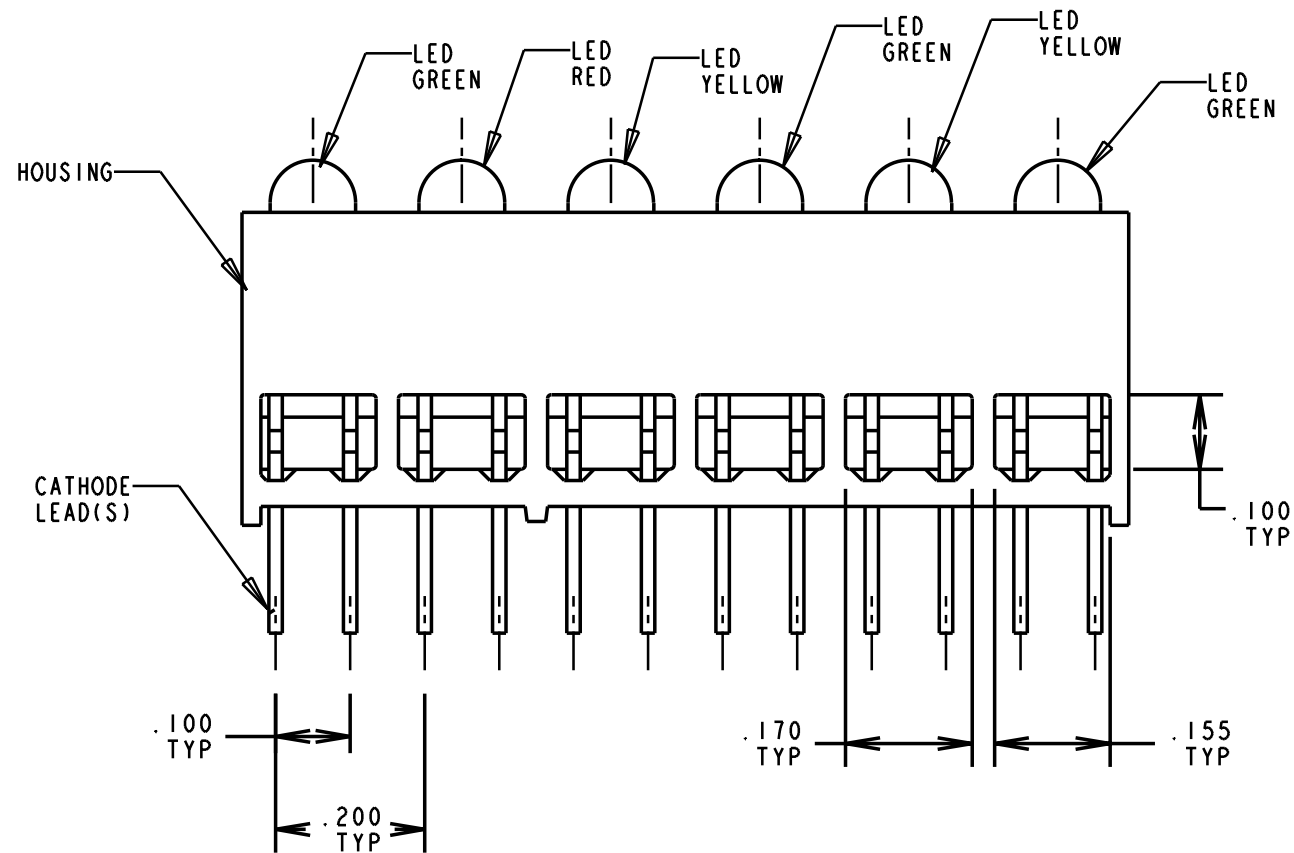
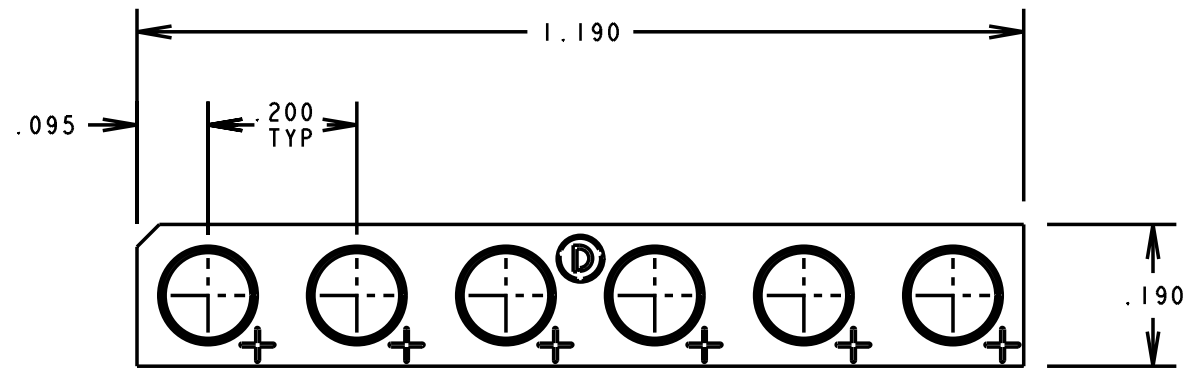
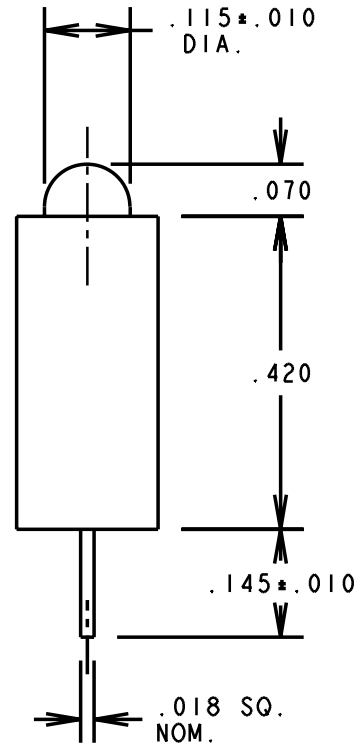


REV.	ECN NO.	REVISIONS	DRN.	CKD.	APP.	DATE
D	---	ADDED MIDDLE STANDOFF	YY		N.O.	3-1-93
E	---	ADDED NOTE 3	YY		N.O.	7-13-93
F	---	.070 LED PROTRUSION WAS .100	YY		N.O.	8-3-93
G	---	REVISED RED LED SPECS; ADDED NOTE 4; REVISED NOTE 2.	TC	D.C.	N.O.	10-30-98
H	---	REVISED GREEN AND YELLOW LED SPECS.	TC			



RECOMMENDED PC BOARD HOLE PATTERN



NOTES:

- LEADS TO FIT INTO HOLES SPACED AS PER PATTERN.
- DIALIGHT LED RED DIFFUSED = LITE-ON LTL-422IN
YELLOW DIFFUSED = LITE-ON LTL-425IN
GREEN DIFFUSED = LITE-ON LTL-423IN
- PACKAGE 5 PC'S PER ANTISTATIC AUTOBAG WITH P/N, QTY, DATE CODE AND MFG. PRINTED ON BAG. PLACED 10 BAGS OF 5 PC'S EACH INTO AN APPROPRIATE SIZE ANTISTATIC ZIP LOCK BAG WITH APPROPRIATE BAR CODE LABEL, LABEL MUST CONTAIN THE FOLLOWING IN BAR CODE & HUMAN READABLE FORMAT: P/N; DIALIGHT P/N; P.O. NUMBER; QTY. PER BAG; DATE CODE.
REFERENCE: CUSTOMER SPEC.: OP012.
- DIALIGHT PART NUMBER: 562-0006-801

OPERATING CHARACTERISTICS AT $T_A = 25\text{ }^\circ\text{C}$

SYMBOL	PARAMETER	COLOR	MIN	TYP	MAX	UNITS	TEST COND.
V_F	FORWARD VOLTAGE	RED		2.0	2.8	V	$I_F = 20\text{ mA}$
		YELLOW		2.1	2.8		
		GREEN		2.1	2.8		
V_R	REVERSE VOLTAGE	ALL	5			V	$I_R = 100\text{ }\mu\text{A}$
λ_{PK}	PEAK WAVELENGTH	RED		635		nm	MEASURED AT PEAK
		YELLOW		585			
		GREEN		565			
I_V	LUMINOUS INTENSITY	RED	7.4	10.0		mcd	$I_F = 10\text{ mA}$
		YELLOW	7.4	10.0			
		GREEN	4.7	12.6			

THIS DRAWING AND THE CONTENTS HEREIN ARE CONFIDENTIAL AND THE SOLE PROPERTY OF DIALIGHT. REPRODUCTION OF THIS DRAWING OR CONSTRUCTION OF ANY PARTS WITHIN THIS DRAWING ARE FORBIDDEN WITHOUT THE WRITTEN CONSENT OF DIALIGHT.

SCALE 4:1

ALL DIM'S IN: INCHES

TOLERANCES: UNLESS OTHERWISE SPECIFIED
FRACTIONS: $\pm 1/64$
DECIMALS (.XX): $\pm .020$
DECIMALS (.XXX): $\pm .015$

ANGLES: $\pm 1^\circ$

FINISH:

FSCM 83330

DRAWING NUMBER: C-15733

REV: H

TITLE: _____

MATERIAL: _____

Dialight 1913 ATLANTIC AVE. MANASQUAN, N.J. 08736

SHEET OF FAMILY TABLE: