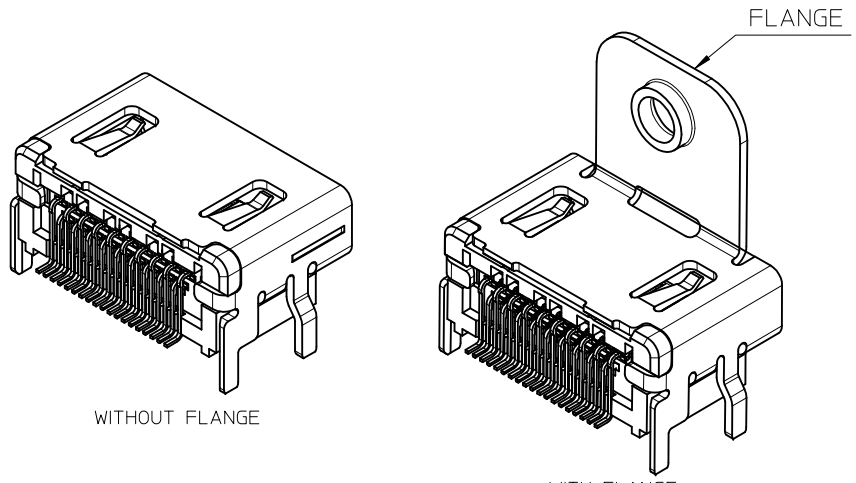
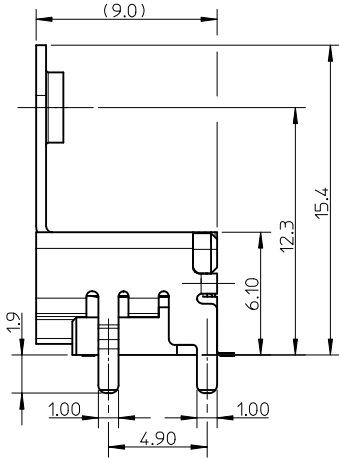
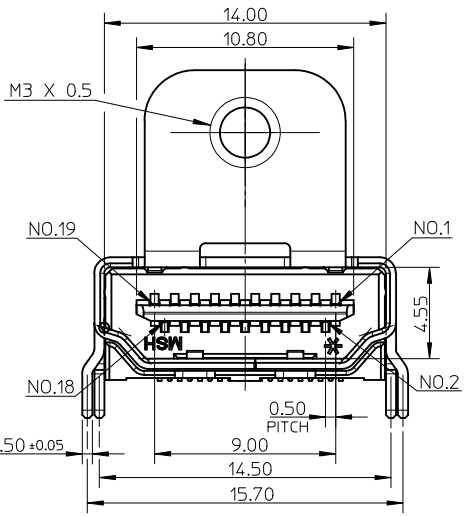
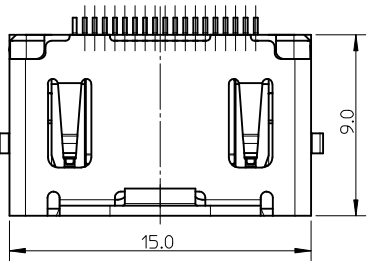
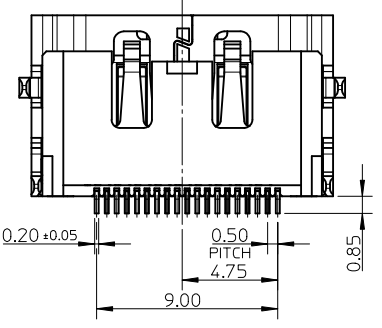


10 9 8 7 6 5 4 3 2 1



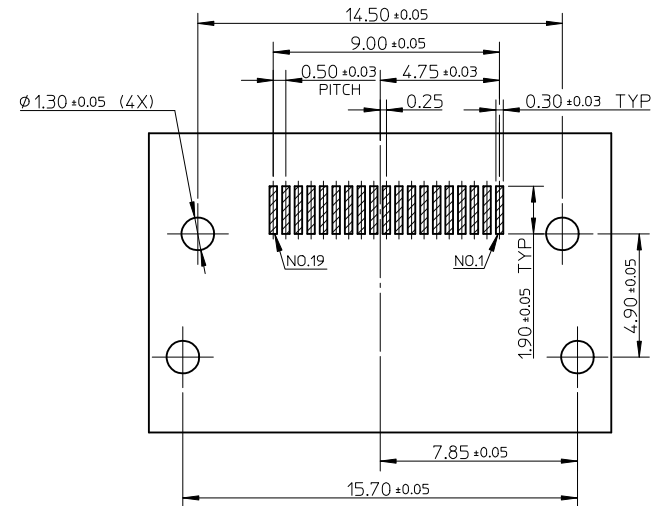
- NOTES:
- MATERIALS:
 - HOUSING: HIGH TEMPERATURE THERMAL PLASTIC. COLOR: SEE TABLE.
 - SHELL: COPPER ALLOY.
 - TERMINAL: COPPER ALLOY.
 - FINISHES:
 - CONTACT AREA: (1) 0.76 MICROMETER MIN. GOLD PLATING. (2) 0.25 MICROMETER MIN. GOLD PLATING. (3) GOLD FLASH. (4) GOLD FLASH OVER PD/NI
 - SOLDER AREA: 1 MICROMETER MIN. TIN-BISMUTH ALLOY PLATING.
 - UNDER PLATE: 1.27 MICROMETER MIN. NICKEL PLATING.
 - SHELL: (1) 1.27 MICROMETER MIN. MATTE TIN PLATING OVERALL. (2) 0.75 MICROMETER MIN. SOLDERABLE NICKEL PLATING OVERALL.
 - PRODUCT SPECIFICATION: PS-47152-001, TBA FOR PD/NI OPTION
 - PACKAGING SPECIFICATION: SEE TABLE
 - TERMINAL RETENTION FORCE TO BE 0.3kgf Min.
 - COPLANARITY OF ALL TERMINALS IS 0.10mm MAX.
 - PRODUCT COMPLIANT TO RoHS DIRECTIVE 2002/95/EC AND ELV DIRECTIVE 2000/53/EC.



ADD PART NO. EC NO: S2012-0578 DRWN: JZENG 2012/01/18 CH'KD: JESSIE CHUA 2012/03/15 APPR: NAGESHKN 2012/03/19	QUALITY SYMBOLS F=0 F=0 F=0	GENERAL TOLERANCES (UNLESS SPECIFIED)		DIMENSION STYLE MM ONLY		SCALE NTS	DESIGN UNITS METRIC	THIRD ANGLE PROJECTION		
			m.m	INCH	DRAWN BY	DATE	TITLE			
		4 PLACES	± ---	± ---	ROST ZHANG	2005/05/20	HDMI RECEPTACLE W/SCREW			
		3 PLACES	± ---	± ---	CHECKED BY	DATE	R/A SMT CUSTOMER DRAWING			
	± 0.20	± ---	GRATE MA	2005/05/20	APPROVED BY					
2 PLACES	± 0.30	± ---	XJSONG	2010/01/26	DATE					
1 PLACE	± 0.30	± ---	MATERIAL NO.		DOCUMENT NO.					
ANGULAR ± 2 °		DRAFT WHERE APPLICABLE MUST REMAIN WITHIN DIMENSIONS		SEE TABLE		MOLEX INCORPORATED		SHEET NO.		
				SIZE A3		THIS DRAWING CONTAINS INFORMATION THAT IS PROPRIETARY TO MOLEX INCORPORATED AND SHOULD NOT BE USED WITHOUT WRITTEN PERMISSION		1 OF 2		

9 8 7 6 5 4 3 2 1

	10	9	8	7	6	5	4	3	2	1
F	47266-2301	BLACK	SEE NOTE 2(4)	MATTE TIN	WITHOUT FLANGE	TAPE & REEL, PK-47266-001				
	WITH FLANGE				TRAY, PK-47266-002					
	47266-7211	NATURE	SEE NOTE 2(3)	SOLDERABLE NICKEL	WITHOUT FLANGE	TAPE & REEL, PK-47266-001				
	47266-7111					SEE NOTE 2(2)				
	47266-7011					SEE NOTE 2(1)				
	47266-6301	BLACK	SEE NOTE 2(4)	SOLDERABLE NICKEL	WITHOUT FLANGE	TAPE & REEL, PK-47266-001				
	47266-6201					SEE NOTE 2(3)				
	47266-6101					SEE NOTE 2(2)				
	47266-6001					SEE NOTE 2(1)				
	E	47266-5211	NATURE	SEE NOTE 2(3)	SOLDERABLE NICKEL	WITH FLANGE	TAPE & REEL, PK-47266-003			
47266-5111		SEE NOTE 2(2)								
47266-5011		SEE NOTE 2(1)								
47266-4211		BLACK	SEE NOTE 2(3)	SOLDERABLE NICKEL	WITH FLANGE	TAPE & REEL, PK-47266-003				
47266-4111						SEE NOTE 2(2)				
47266-4011						SEE NOTE 2(1)				
47266-5201		NATURE	SEE NOTE 2(3)	SOLDERABLE NICKEL	WITH FLANGE	TRAY, PK-47266-002				
47266-5101						SEE NOTE 2(2)				
47266-5001						SEE NOTE 2(1)				
D		47266-4201	BLACK	SEE NOTE 2(3)	SOLDERABLE NICKEL	WITH FLANGE	TRAY, PK-47266-002			
	47266-4101	SEE NOTE 2(2)								
	47266-4001	SEE NOTE 2(1)								
	47266-3201	NATURE	SEE NOTE 2(3)	MATTE TIN	WITHOUT FLANGE	TAPE & REEL, PK-47266-001				
	47266-3101					SEE NOTE 2(2)				
	47266-3001					SEE NOTE 2(1)				
	47266-2201	BLACK	SEE NOTE 2(3)	MATTE TIN	WITHOUT FLANGE	TAPE & REEL, PK-47266-001				
	47266-2101					SEE NOTE 2(2)				
	47266-2001					SEE NOTE 2(1)				
	C	47266-1211	NATURE	SEE NOTE 2(3)	MATTE TIN	WITH FLANGE	TAPE & REEL, PK-47266-003			
47266-1111		SEE NOTE 2(2)								
47266-1011		SEE NOTE 2(1)								
47266-0211		BLACK	SEE NOTE 2(3)	MATTE TIN	WITH FLANGE	TAPE & REEL, PK-47266-003				
47266-0111						SEE NOTE 2(2)				
47266-0011						SEE NOTE 2(1)				
47266-1201		NATURE	SEE NOTE 2(3)	MATTE TIN	WITH FLANGE	TRAY, PK-47266-005				
47266-1101						SEE NOTE 2(2)				
47266-1001						SEE NOTE 2(1)				
47266-0201		BLACK	SEE NOTE 2(3)	MATTE TIN	WITH FLANGE	TRAY, PK-47266-005				
47266-0102	SEE NOTE 2(2)									
47266-0001	SEE NOTE 2(1)									
	P/N	HOUSING COLOR	CONTACT AREA PLATING	SHELL PLATING	REMARK	PACKAGING SPECIFICATION				



ADD PART NO. EC NO: S2012-0578 DRWN: JZENG 2012/01/18 CHKD: JESSIECHUA 2012/03/15 APPR: NAGESHKN 2012/03/19 H2	QUALITY SYMBOLS $\nabla_A = 0$ $\nabla_C = 0$ $\nabla_B = 0$	GENERAL TOLERANCES (UNLESS SPECIFIED)		DIMENSION STYLE MM ONLY	SCALE NTS	DESIGN UNITS METRIC	THIRD ANGLE PROJECTION		
		4 PLACES ± --- ± --- 3 PLACES ± --- ± --- 2 PLACES ± 0.20 ± --- 1 PLACE ± 0.30 ± ---	mm INCH ± --- ± --- ± 0.20 ± --- ± 0.30 ± ---	DRAWN BY ROST ZHANG	DATE 2005/05/20	TITLE HDMI RECEPTACLE W/SCREW R/A SMT CUSTOMER DRAWING			
		ANGULAR ± 2 °		CHECKED BY GRATE MA	DATE 2005/05/20	MOLEX INCORPORATED			
		DRAFT WHERE APPLICABLE MUST REMAIN WITHIN DIMENSIONS		APPROVED BY XJSONG	DATE 2010/01/26	MATERIAL NO. SEE TABLE	DOCUMENT NO. SD-47266-001	SHEET NO. 2 OF 2	