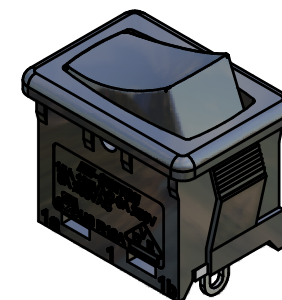
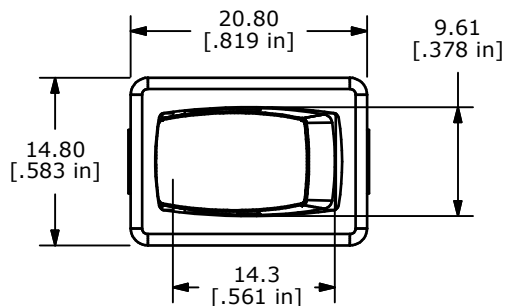


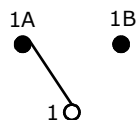
RECOMMENDED PANEL MOUNTING

PANEL THICKNESS	X
0.75-1.25	19.2-19.3
1.25-2.00	19.3-19.4
2.00-3.00	19.5-19.6



SWITCH FUNCTION		
POS. 1	POS. 2	POS. 3
(ON)	NONE	ON
(1-1b)	NONE	1-1a

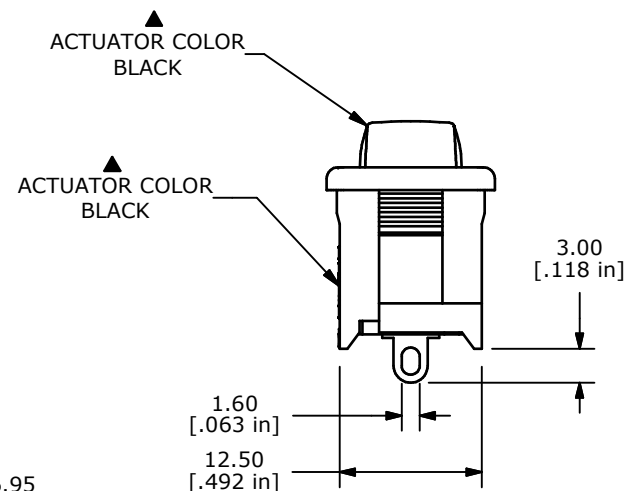
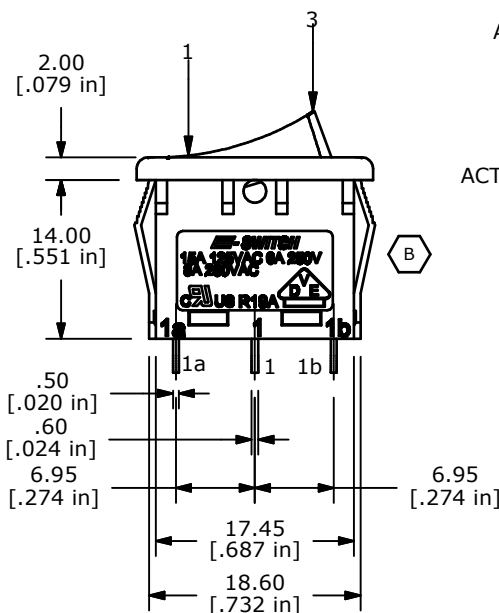
( ) = MOMENTARY



CURCUIT: SPDT

NOTES:

1. ALL DIMENSIONS IN MM [INCH]
2. GENERAL TOLERANCE: X.X=±0.4  
X.XX=±0.25
3. TERM. NOS. FOR REF. ONLY
4. RATING: 15A @125VAC;  
8A @250VAC.
5. LAMP VOLTAGE: NO LAMP
6. MATERIAL:  
CONTACT SURFACE: COIN SILVER, SILVER PLATED.  
TERMINAL: COPPER ALLOY W/SILVER PLATE
7. ELECTRICAL LIFE: 10,000 CYCLES
8. CONTACT RESISTANCE: <20 MILLI-OHMS INITIAL
9. DIELECTRIC STRENGTH: >1,500V AC 1 MIN
10. ▲ DENOTES CRITICAL PARAMETER.
11. 2002/95/EC (RoHS) COMPLIANT.



B	19359	HOUSING & PANEL THICKNESS UPDATES	11/02/10	BMA
A	16231	REVISED AND REDRAWN	7/14/06	RC
REV	PCR NO	DESCRIPTION	DATE	BY

THE INFORMATION CONTAINED IN THIS DOCUMENT IS PROPRIETARY TO E-SWITCH AND IS NOT TO BE COPIED OR TRANSFERRED

TITLE R1966GBLKBLKES				
SCALE	DATE	DR	DWG	REV
1.5:1	7/14/2006	RC	M301254	B