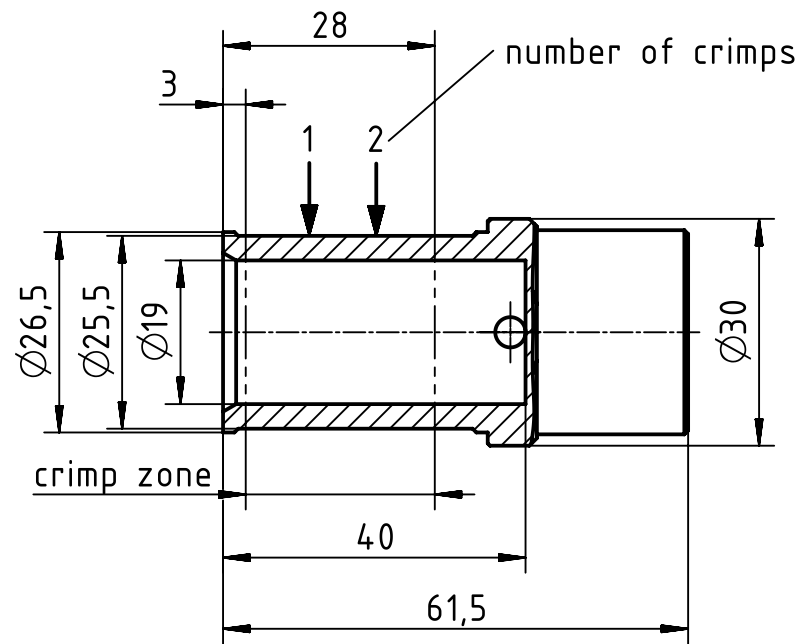


A

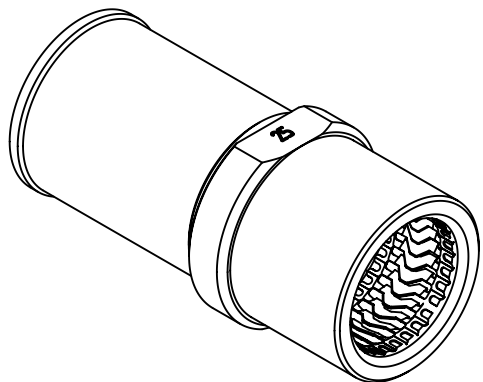
B

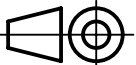

C

D



assembly notes see catalogue
 crimp zone acc. to DIN EN 46235 indicator 25
 for stranded fine wire acc. to VDE 0295 class 5/ IEC 60228 class 5
 wire gauge: 185mm²
 stripping length: 42mm



 All Dimensions in mm Original Size DIN A4	Scale	Free size tol.		Ref.	
	1:1			Sub.	
 All rights reserved Department EL PD - DE	Created by	Inspected by	Standardisation	Date	State
	FINKEV	SCHNIEDER	SCHMIDTM	2015-01-19	Final Release
HARTING Electric GmbH & Co. KG D-32339 Espelkamp	Title			Doc-Key / ECM-Nr.	
	Han TC650 female contact, 185mm ²			100217946/UGD/003/D 500000083632	
Type		Number		Rev.	Page
TB		09 11 000 6265		D	1/1