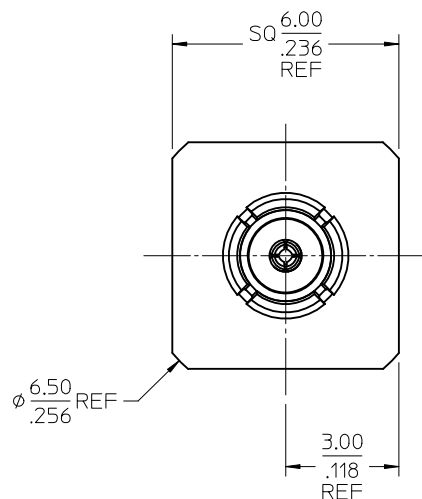
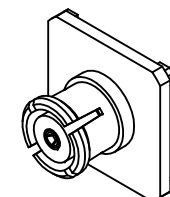


MATERIALS AND FINISHES

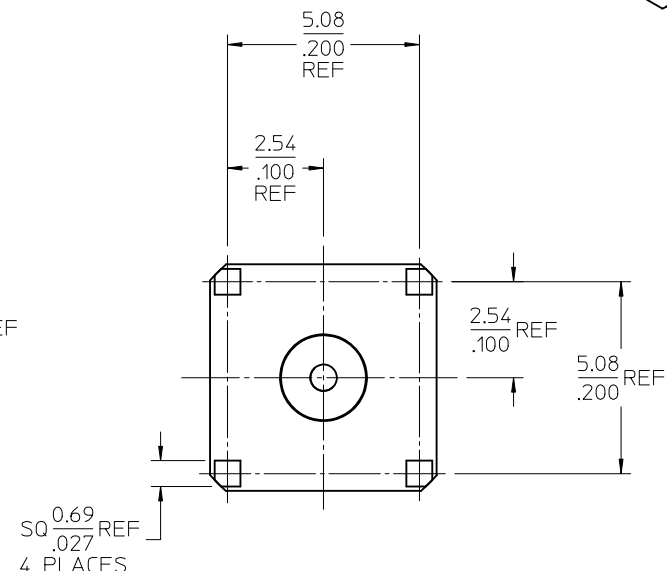
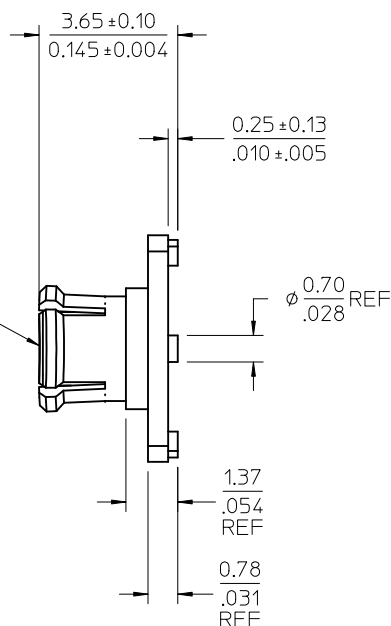
BODY: BERYLLIUM COPPER  
PLATED GOLD (10 MICROINCHES MIN)

CENTER CONTACT: BERYLLIUM COPPER  
PLATED GOLD (30 MICROINCHES MIN)

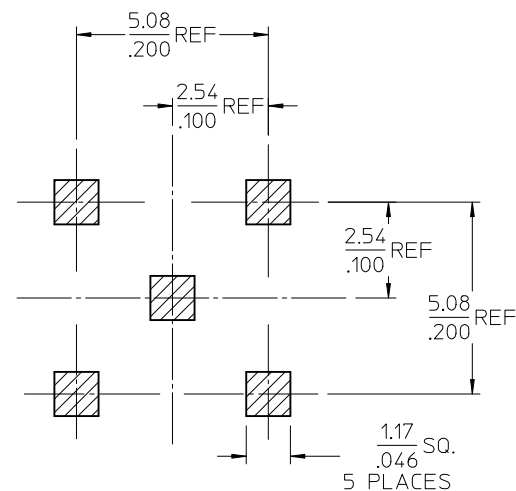
INSULATOR: TEFLON



SMP JACK  
MODIFIED  
INTERFACE



RECOMMENDED PCB  
LAYOUT



PART # 73415-5300

CHG: UPDATED FRAME.  
ADDED SHEET 2.  
ADDED DIMENSIONS.

EC NO: URF2012-0762  
DRAWN: ROBERTSON 2012/06/15  
CHKD: SSS 2012/06/15  
APPR: JWIENER 2012/06/15

REV	DESCRIPTION
D2	

QUALITY SYMBOLS	
	= 0
	= 0
	= 0

GENERAL TOLERANCES (UNLESS SPECIFIED)	
mm	INCH
4 PLACES ±	---
3 PLACES ±	---
2 PLACES ±	---
1 PLACE ±	---
0 PLACE ±	±

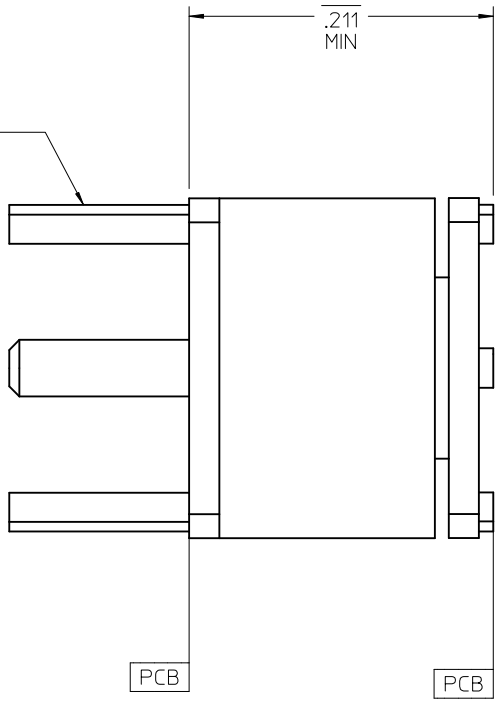
DIMENSION STYLE		SCALE	DESIGN UNITS	THIRD ANGLE PROJECTION
MM/IN			METRIC	
DRAWN BY	DATE	TITLE		
SSS	2005/04/19	SMP JACK MODIFIED INTERF		
CHECKED BY	DATE	50 OHM VERT PCB SMT		
TEF	2005/04/19	SMP-J/PCB, EWR-2735		
APPROVED BY	DATE	<b>molex</b>		
JDW	2005/04/19			
MATERIAL NO.		DOCUMENT NO.		SHEET NO.
734155300		SD-73415-530		1 OF 2
DRAFT WHERE APPLICABLE MUST REMAIN WITHIN DIMENSIONS				

THIS DRAWING CONTAINS INFORMATION THAT IS PROPRIETARY TO MOLEX INCORPORATED AND SHOULD NOT BE USED WITHOUT WRITTEN PERMISSION

73415-5300 MATED TO 73415-5310

73415-5310  
(NOT INCLUDED)

5.37  
.211  
MIN



CHG: SEE SHEET 1. EC NO: URF2012-0762 DRWN:ROBERTSON 2012/06/15 CHKD:SSS 2012/06/15 APPR:JWIENER 2012/06/15	DESCRIPTION	QUALITY SYMBOLS	GENERAL TOLERANCES (UNLESS SPECIFIED)		DIMENSION STYLE		SCALE	DESIGN UNITS	THIRD ANGLE PROJECTION	
		▽=0 ▽=0 ▽=0	mm	INCH	MM/IN		METRIC			
D2	REV		4 PLACES ±	±	DRAWN BY	DATE	TITLE	SMP JACK MODIFIED INTERF 50 OHM VERT PCB SMT SMP-J/PCB, EWR-2735		
			3 PLACES ±	±	SSS	2005/04/19				
			2 PLACES ±	±	CHECKED BY	DATE	molex			
			1 PLACE ±	±	TEF	2005/04/19				
			0 PLACE ±	±	APPROVED BY	DATE	DOCUMENT NO.		SHEET NO.	
					JDW	2005/04/19	SD-73415-530		2 OF 2	
DRAFT WHERE APPLICABLE MUST REMAIN WITHIN DIMENSIONS			ANGULAR ± 2 °		MATERIAL NO.					
					SEE SHEET 1					
					SIZE C		THIS DRAWING CONTAINS INFORMATION THAT IS PROPRIETARY TO MOLEX INCORPORATED AND SHOULD NOT BE USED WITHOUT WRITTEN PERMISSION			