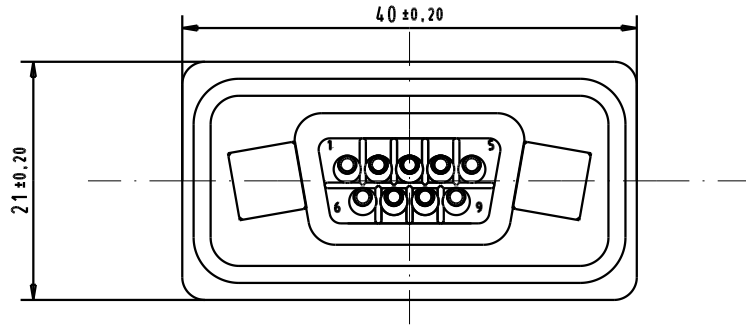
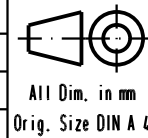


- 1) Protection standard IP 67 according to IEC 529 / DIN 40050.
- 2) cable: AWG 20 max



09 67 609 6715 Au plating 0,76 µm mini

	Dat.	Name
Detail.	03/02/04	S.H.
Insp.		
Stand.		



D-SUB IP67 female 09 Poles
 straight solder cup with
 4-40 UNC nut and metal frame

Maßstab/
 Scale

Part Number Performance Level

31587	03/02/04	S.H.
Mod.	Dat.	Name

HARTING ELEKTRONIK
 F-95972 Paris



TB 09 67 609 6715

Blatt / Page

Sub.