

0,50mm ZIF FPC/FFC SOCKET ZF5 SERIES

SPECIFICATIONS

For complete specifications and recommended PCB layouts see www.samtec.com?ZF5

Insulator Material:

High Temperature Nylon



Contact Material:

Phosphor Bronze

Plating:

Tin/Lead over 50µ" (1,27µm) Ni

Weld Tab:

Brass

Operating Temp Range:

-55°C to +105°C

Processing:

Max Processing Temp: 230°C for 60 seconds

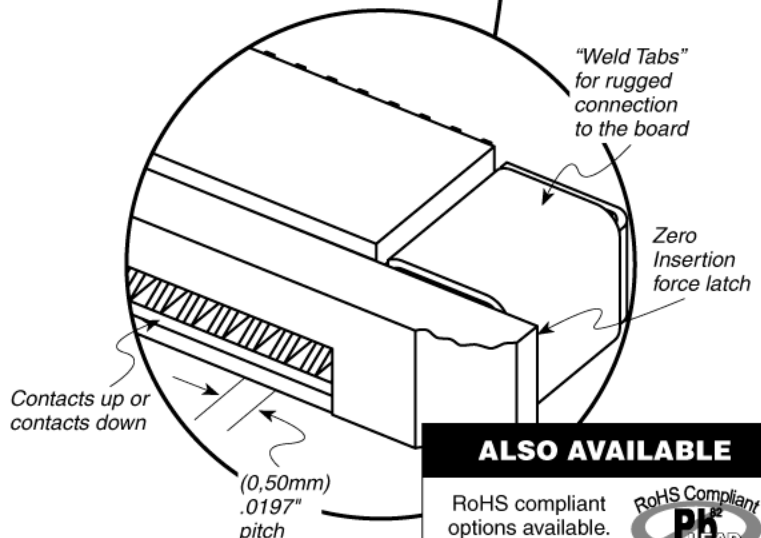
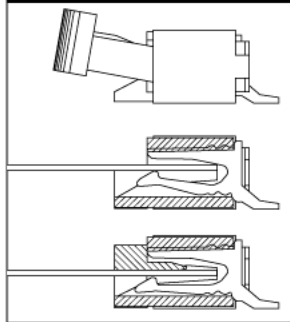
Lead-Free Solderable: No. Call Samtec

SMT Lead Coplanarity: (0,10mm) .004" max

Mates with:

FJH, ZFHF and flex cable with stiffener thickness of (0,30mm) .012"

APPLICATION

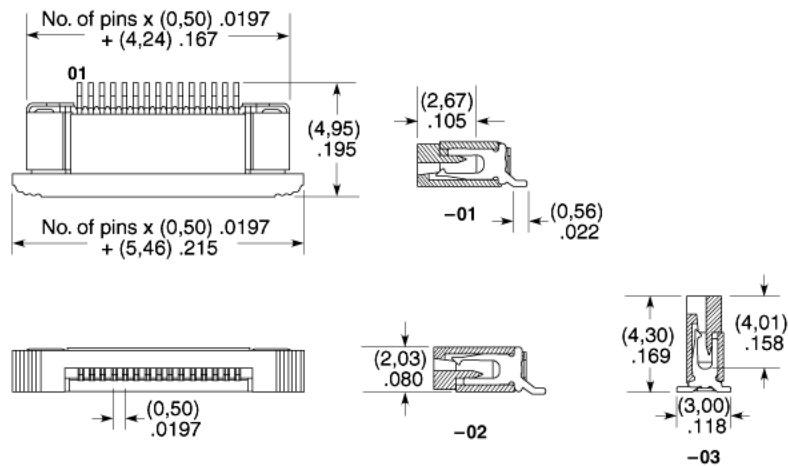


ALSO AVAILABLE

RoHS compliant options available. Call Samtec.



ZF5	NO. OF POSITIONS	LEAD STYLE	PLATING OPTION	WT	OPTION
	-10, -15, -16, -18, -20, -22, -25, -30, -43 (Call Samtec for other sizes.)	-01 = Contact Bottom -02 = Contact Top -03 = Vertical	-T = Tin/Lead	-WT = Weld Tab	-TR = Tape & Reel Packaging



Note: Some lengths, styles and options are non-standard, non-returnable.

Due to technical progress, all designs, specifications and components are subject to change without notice.

WWW.SAMTEC.COM