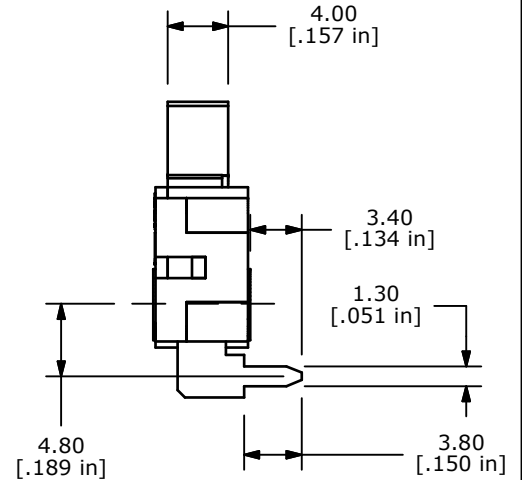
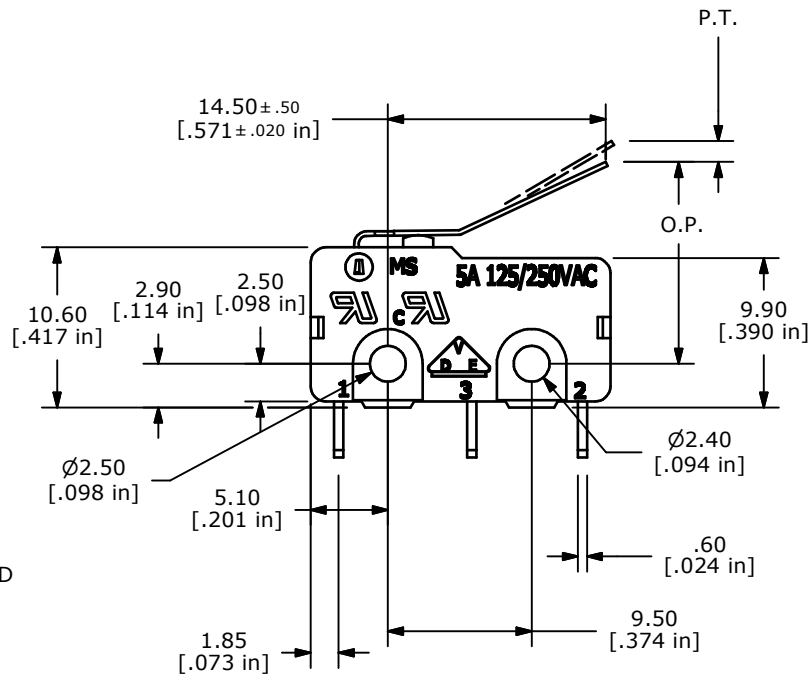
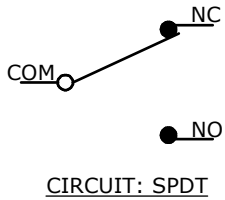


O.P. (MM)	P.T. (MM)
13.9 ± 1.5	4.1 MAX.

O.P. = OPERATING POINT
P.T. = PRE-TRAVEL



- NOTES:
1. ALL DIMENSIONS IN MM [INCH]
 2. GENERAL TOLERANCE: X.X ± 0.4
X.XX ± 0.25
 3. RATING: 5A @125/250VAC UL, CUL, VDE APPROVED
 - ▲ 4. OPERATING FORCE: 35 ± 20 GRAMS
 5. OPERATING TEMP: -25°C TO 85°C
 6. ELECTRICAL LIFE: 50,000 CYCLES MIN.
 7. MECHANICAL LIFE: 1,000,000 CYCLES TYP.
 8. INSULATION RESISTANCE: 100 MEGA-OHMS
 9. DIELECTRIC STRENGTH: 1000VAC 1 MINUTE (INITIAL VALUE)
 10. CONTACT RESISTANCE: 100 MILLI-OHMS MAX.
 11. ▲ DENOTES CRITICAL PARAMETER.
 12. 2002/95/EC (ROHS) COMPLIANT



A	18416	RELEASE FOR PRODUCTION	3/4/09	BLR
REV	PCR NO	DESCRIPTION	DATE	BY

TITLE MS0850506F035V1A				
SCALE	DATE	DR	DWG	REV
2:1	3/4/2009	BLR	Q970097	A

THE INFORMATION CONTAINED IN THIS DOCUMENT IS PROPRIETARY TO E-SWITCH AND IS NOT TO BE COPIED OR TRANSFERRED