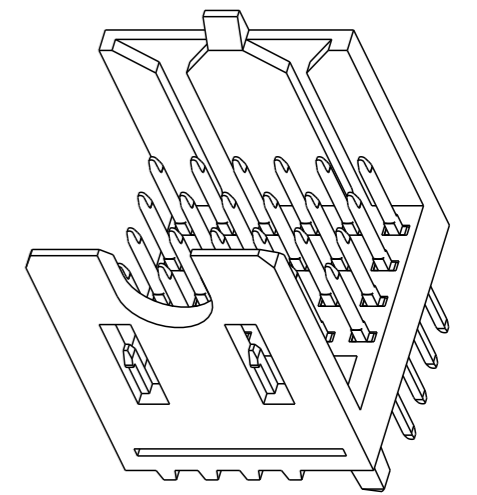
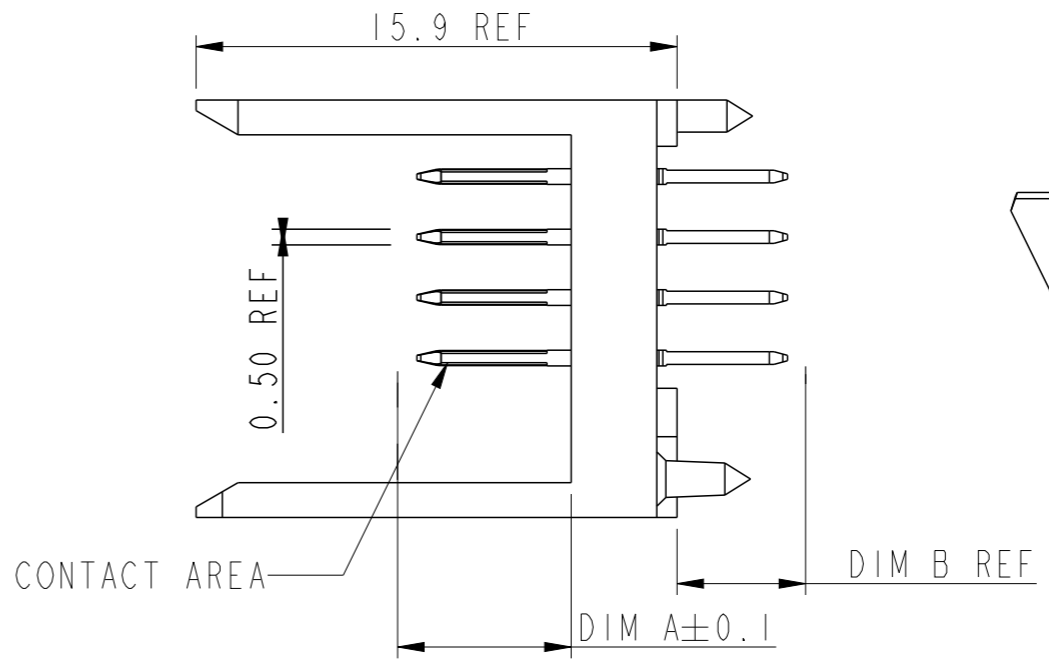
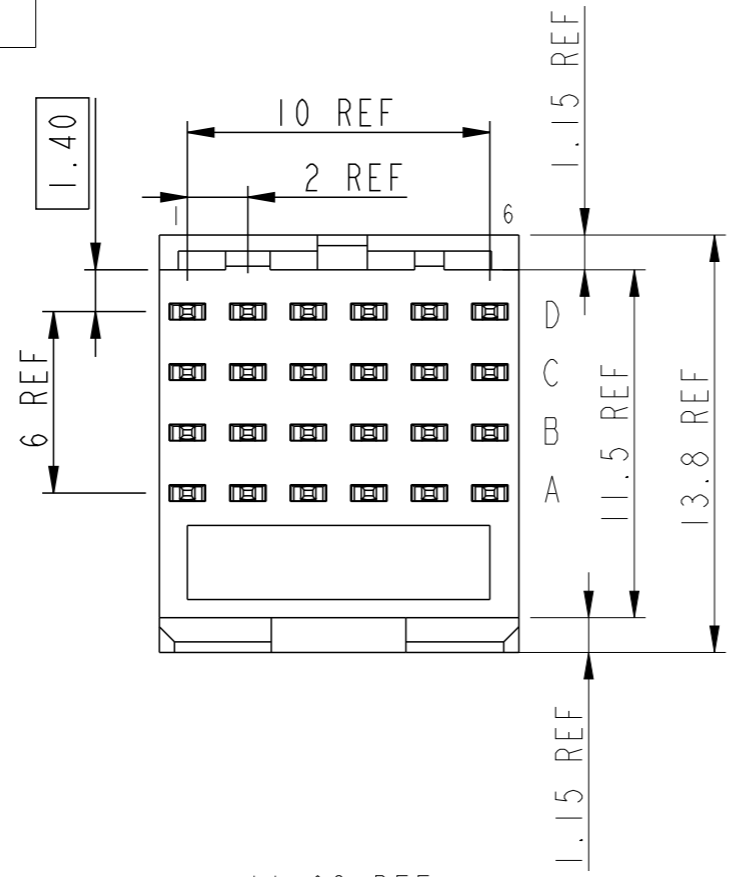
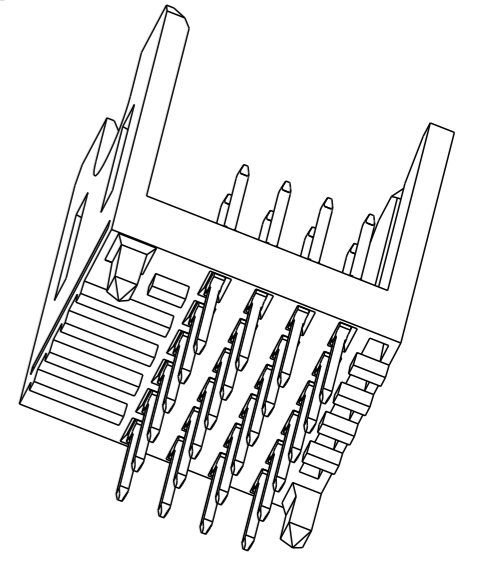


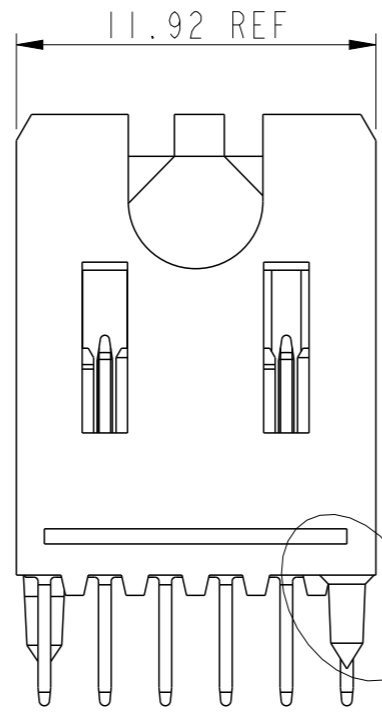
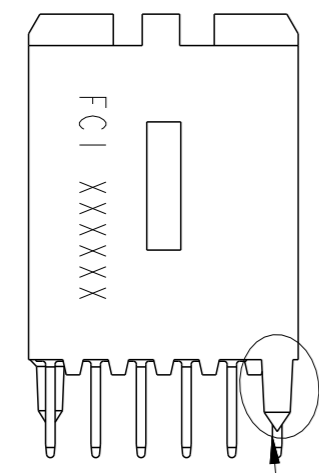
TIN LEAD P/N	LEAD FREE P/N
85697-XYX	85697-XYLF



SCALE 3:1



FCI P/N PRINTING



- NOTES
- FOR DIM A AND DIM B, SEE SHEET 2 AND UP
 - BODY MATERIAL : LIQUID CRYSTAL POLYMER 30% GLASS
FLAME RETARDANT ACC. UL 94-V0.
 - PIN MATERIAL : PHOSPHOR BRONZE.
 - PLATING ON CONTACT AREA
CONFORMS TO PERFORMANCE LEVEL
SHOWN IN TABLE BELOW.
 - PRODUCT MARKING : FCI PART NUMBER & BATCH ID.
 - ALL PRODUCT WITH PART NUMBERS SHOWN IN
SUBSEQUENT TABLES WILL BE PACKAGED IN TUBES.
IF TRAY PACKAGING IS REQUIRED, A SUFFIX "P"
WILL BE ADDED TO THE END OF THE PART NUMBER.
EXAMPLE : YYYY-XXXP. OR YYYY-XXXPLF

GENERAL CHARACTERISTICS AND RoHS INFORMATIONS:

SEE DRAWING C-8626-000S

SEE DETAIL 2

SEE DETAIL 1

PLATING IN CONTACT AREA	
DASH NUMBER	PERFORMANCE LEVEL
IYY or IYYLF	STANDARD P/N
7YY OR 7YYLF	ERICSSON SPECIAL

FOR DETAIL 2 & 3, SEE PAGE 2.

rev	ecn no	dr	date
F	LS3060	SPE	2003-07-22
G	LS05-001	LMA	2005-03-18
H	LS05-0081	LGO	2005-09-07
J	LS06-0084	LGO	2006-07-01
K	ELX-DG-011760-1	AL	2012-05-29
-	-	-	-
-	-	-	-

spec ref	--	dr	Terran Huang	2010/07/08	projection	mm	size	A3	scale	4:1	
tolerance std	ASME Y14.5	eng	Andy Lu	2012/05/28			ecn no	ELX-DG-011760-1	rel level	Released	
TOLERANCES UNLESS OTHERWISE SPECIFIED		chr	Tian-Zhao Lin	2012/06/05							product family
surface	linear	appr	Pei-Ming Zheng	2012/06/06			dwg no	85697	rev	K	
	0.X	www.fci.com		cat. no.	-		Product - Customer Drw		sheet 1 of 3		
	0.XX										
	0.XXX										
	angular										
	0°										
	±0.3										
	±0.10										
	±0.050										
	±2°										



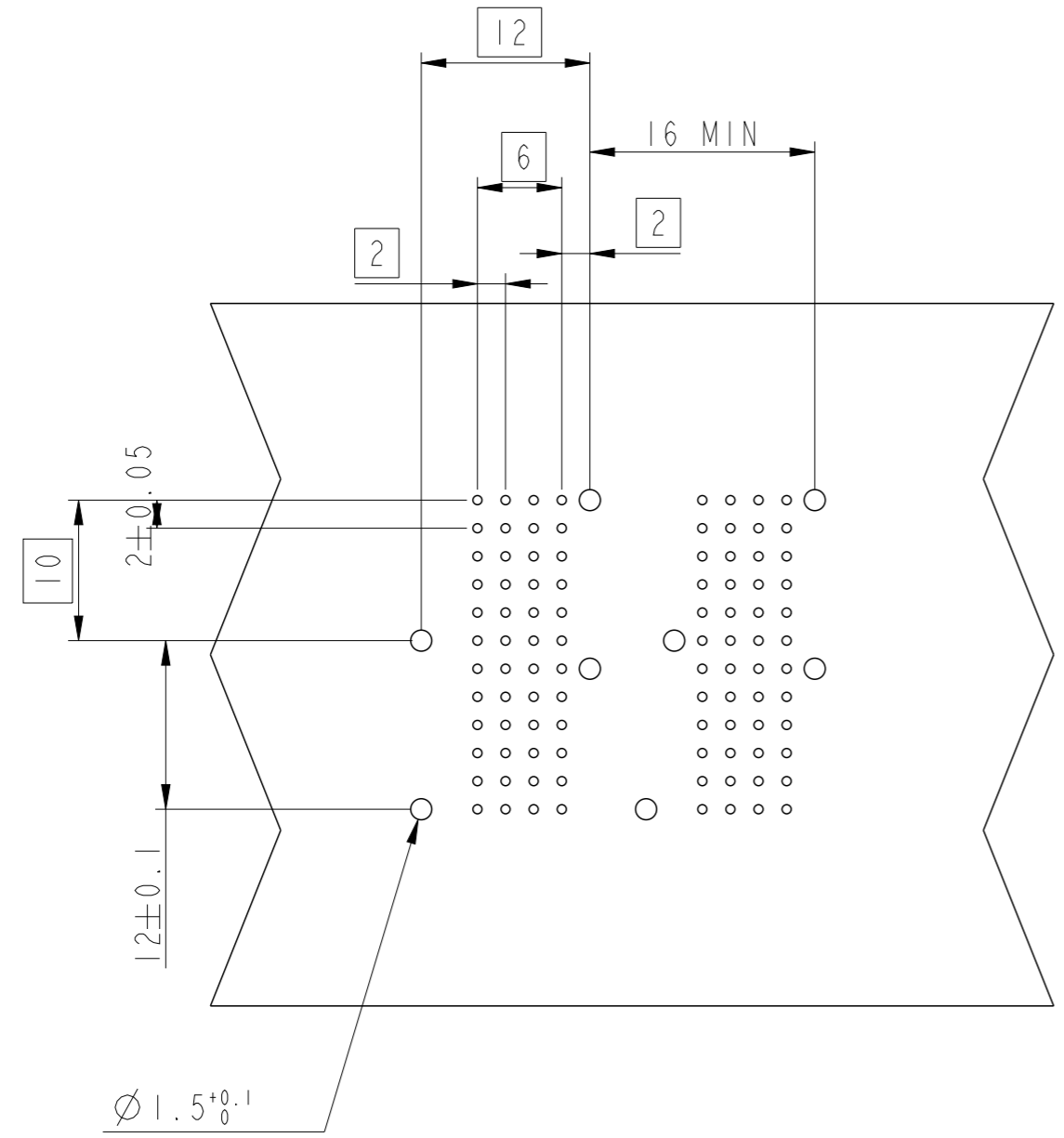
Copyright FCI.

D

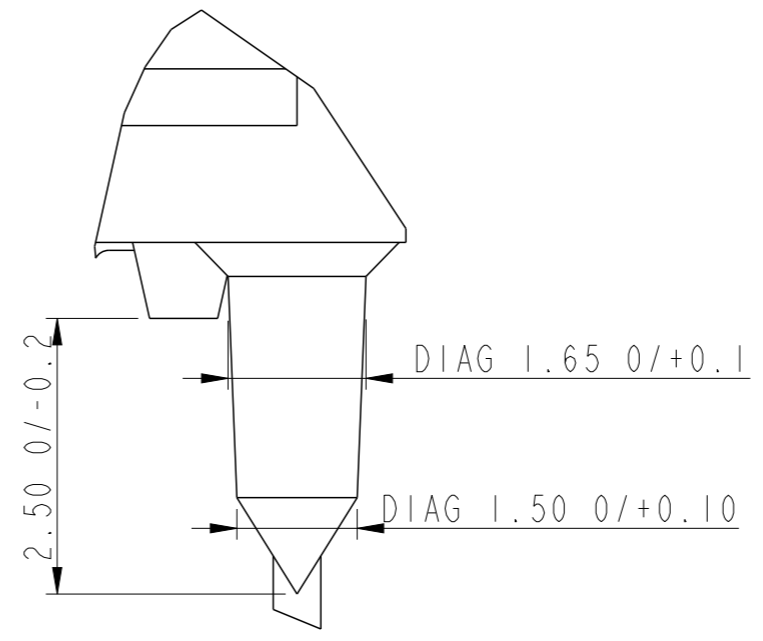
C

B

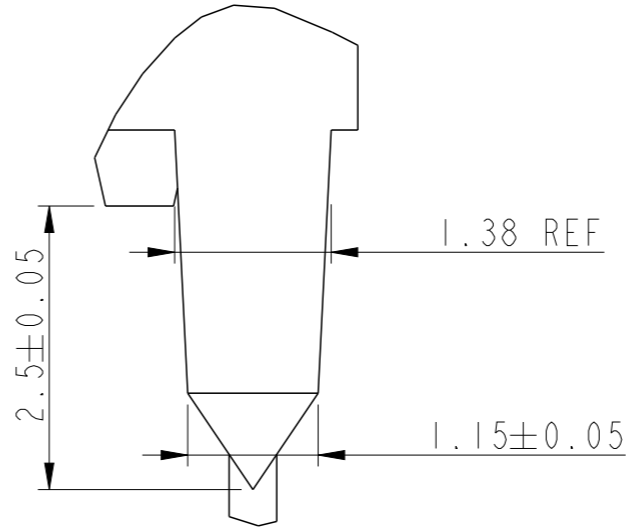
A



DETAIL 1
SCALE 15:1



DETAIL 2
SCALE 15:1



KEY			
CODE	DIMENSIONS		
	DIM A MATE	85697-10XXX DIM B MATE	85697-70XXX DIM B MATE
1	5.00	4.25	4.25
2	5.75	4.25	4.25
3	6.50	4.25	4.25
4	7.25	4.25	4.25
5	5.00	3.30	3.60
6	5.75	3.30	3.60
7	6.50	3.30	3.60
8	7.25	3.30	3.60
13	8.00	4.25	4.25

dr	Terran Huang	2010/07/08	projection 	mm ←→	size	A3	scale	2:1
eng	Andy Lu	2012/05/28			ecn no	ELX-DG-011760-1		
chr	Tian-Zhao Lin	2012/06/05			product family	METRAL	rel level	Released
appr	Pei-Ming Zheng	2012/06/06						

	title	METRAL SIGNAL HEADER		dwg no	85697	rev	K
	www.fci.com	cat. no.	-	Product - Customer Drw	sheet 2 of 3		

D

C

B

A

1

2

3

4

A

A

METRAL P/N	ERICSSON P/N	DIM A	DIM B	ROW	CONTACT CODE MOD. 1					
					1	2	3	4	5	6
85697-706	RPV 601 1111	5.00	4.25	D	1	1	1	1	1	1
		5.75	4.25	C	2	2	2	2	2	2
85697-706LF	TBD	5.75	4.25	B	2	2	2	2	2	2
		6.50	4.25	A	3	3	3	3	3	3

METRAL P/N	DIM A	DIM B	ROW	CONTACT CODE MOD. 1					
				1	2	3	4	5	6
85697-106	5.00	4.25	D	1	1	1	1	1	1
	5.75	4.25	C	2	2	2	2	2	2
85697-106LF	5.75	4.25	B	2	2	2	2	2	2
	6.50	4.25	A	3	3	3	3	3	3



B

B

METRAL P/N	ERICSSON P/N	DIM A	DIM B	ROW	CONTACT CODE MOD. 1					
					1	2	3	4	5	6
85697-707	RPV 601 1111/1	5.00	3.60	D	5	5	5	5	5	5
		5.75	3.60	C	6	6	6	6	6	6
85697-707LF	TBD	5.75	3.60	B	6	6	6	6	6	6
		6.50	3.60	A	7	7	7	7	7	7

METRAL P/N	DIM A	DIM B	ROW	CONTACT CODE MOD. 1					
				1	2	3	4	5	6
85697-107	5.00	3.30	D	5	5	5	5	5	5
	5.75	3.30	C	6	6	6	6	6	6
85697-107LF	5.75	3.30	B	6	6	6	6	6	6
	6.50	3.30	A	7	7	7	7	7	7



C

C

D

D



Copyright FCI.

dr	Terran Huang	2010/07/08	projection 	mm 	size	A3	scale	2:1
eng	Andy Lu	2012/05/28			ecn no	ELX-DG-011760-1		
chr	Tian-Zhao Lin	2012/06/05			product family	METRAL	rel level	Released
appr	Pei-Ming Zheng	2012/06/06						
		METRAL SIGNAL HEADER			dwg no	85697	rev	K
www.fci.com		cat. no.	-		Product - Customer Drw		sheet 3 of 3	

2

3