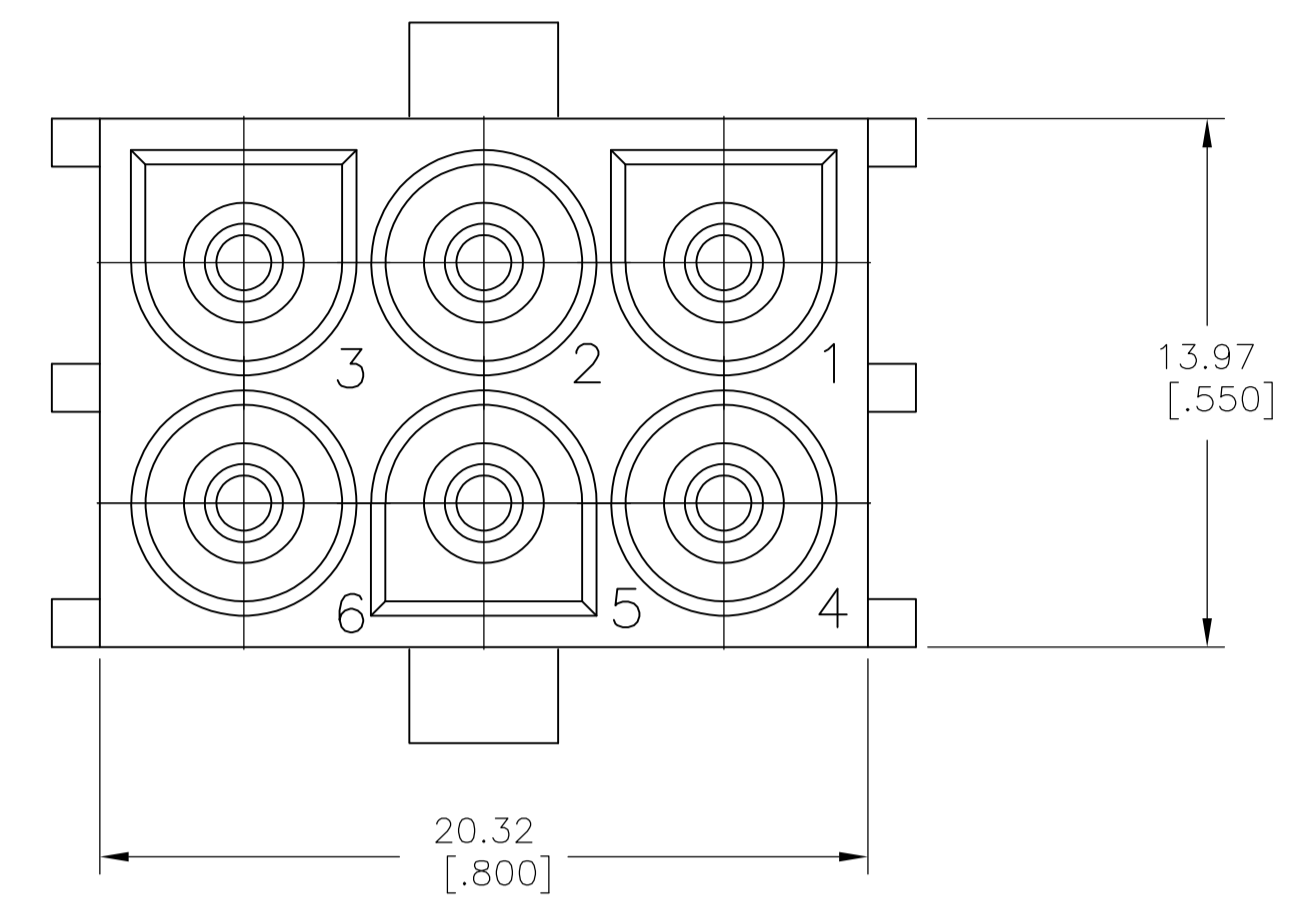
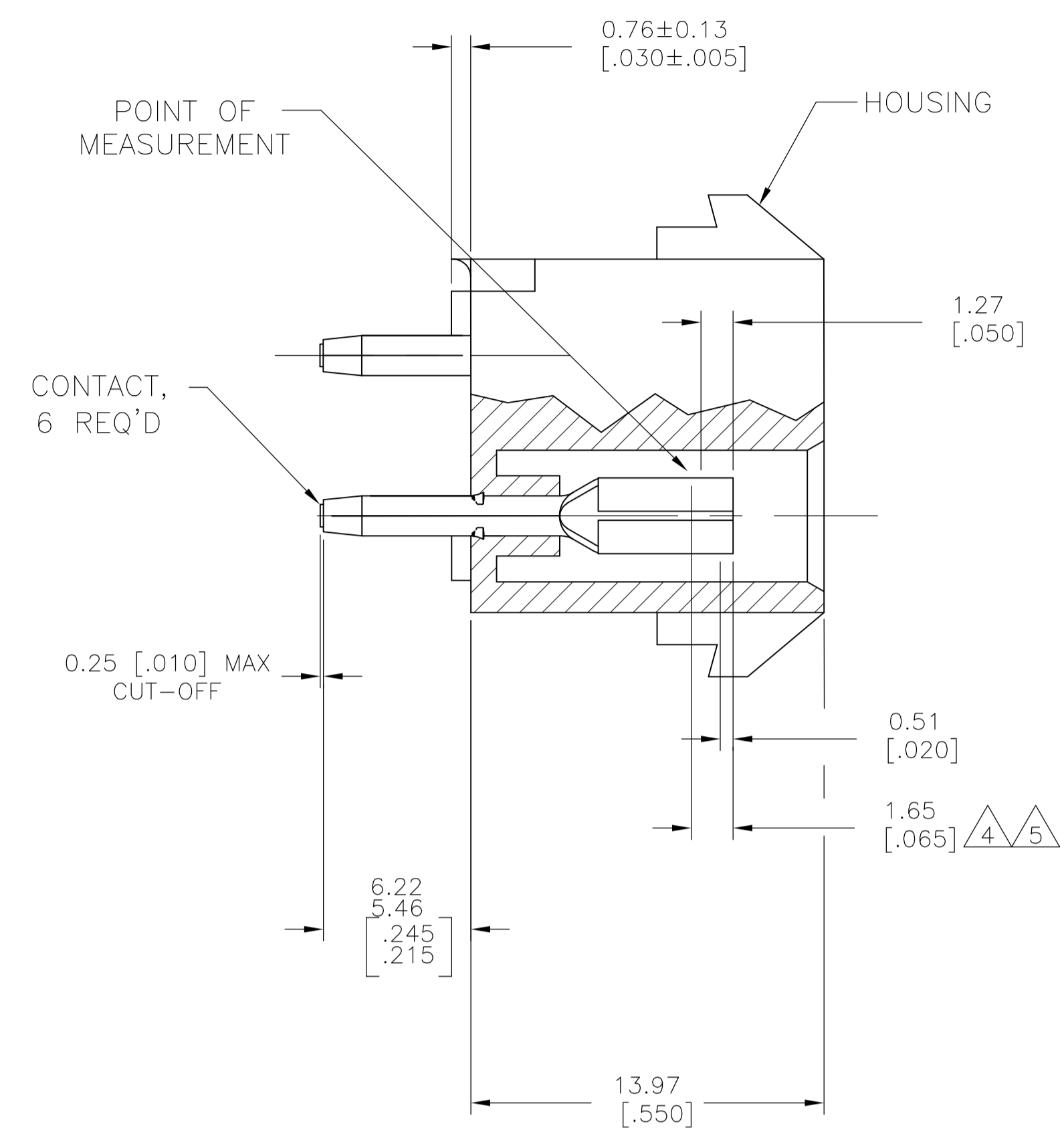
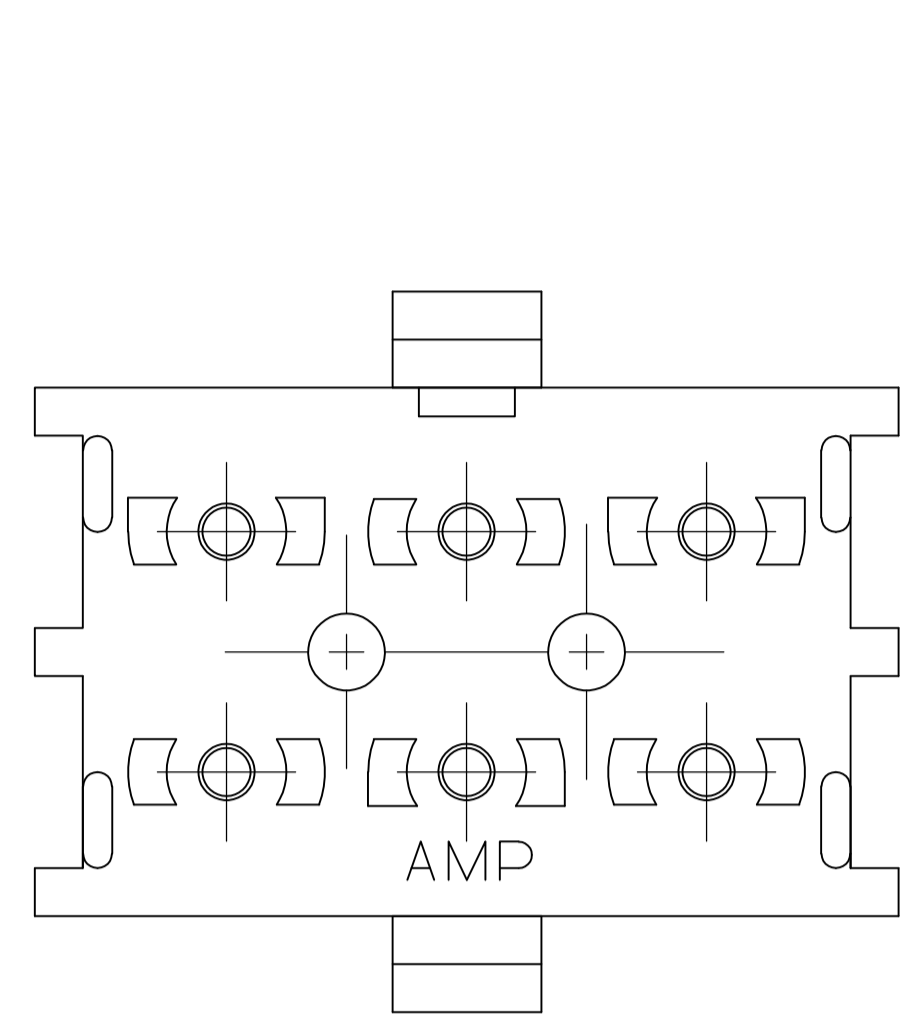
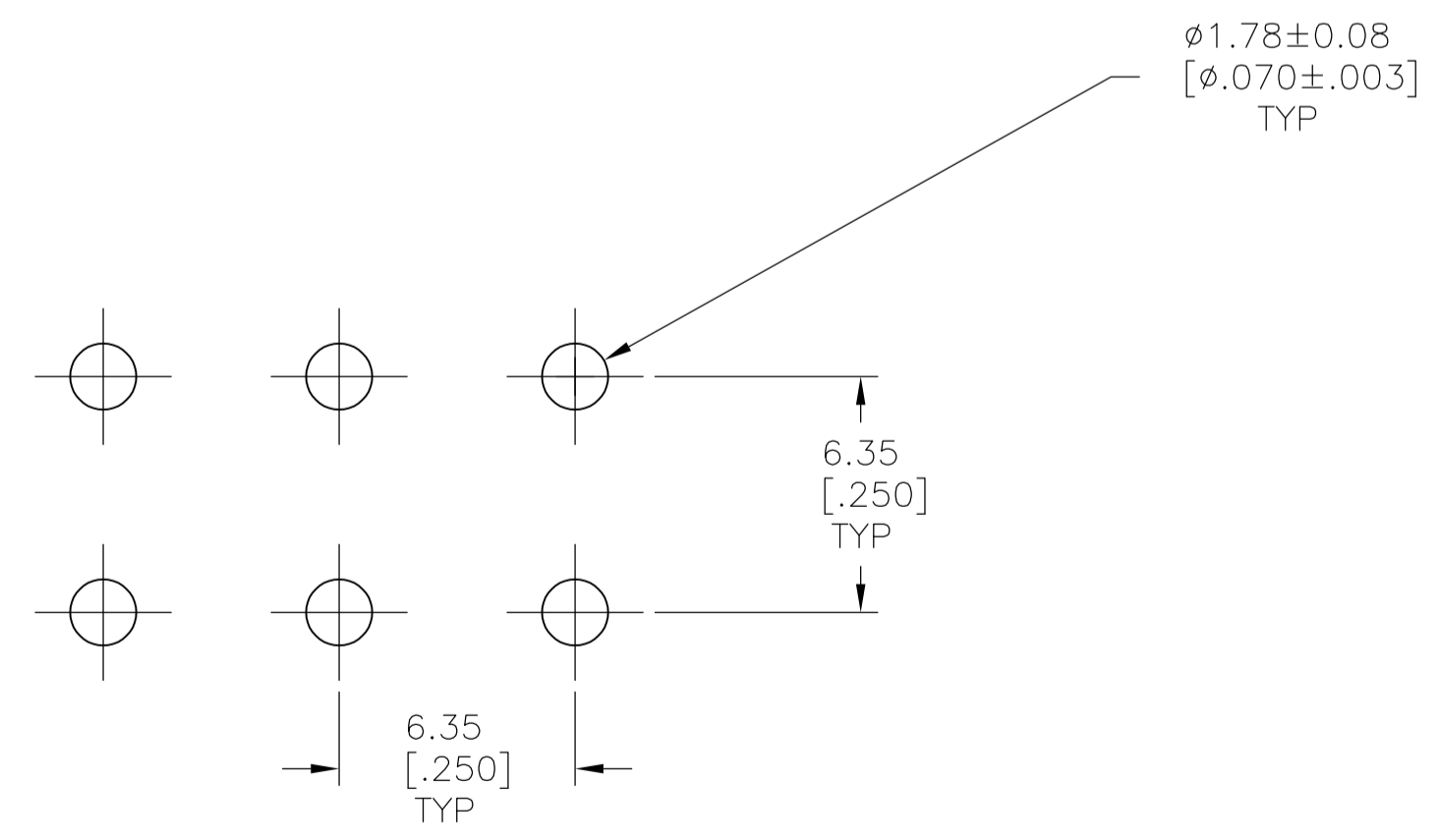


LOC		DIST		REVISIONS			
CM	00	REV	DESCRIPTION	DATE	DMN	APVD	
		G2	REVISED PER ECO-08-019746	13AUG08	HMR	DC	
		G3	REV PER ECO-09-021826	08SEP09	KK	AEG	



- 1 MATES WITH AMP CONNECTOR PART NO 480704.
- $\Delta 2$ FLAME RETARDANT CLASSIFICATION OF MATERIAL IS 94V-2.
- 3 PARTS MUST COMPLY WITH AMP SOLDERABILITY SPEC 109-11-3.
- $\Delta 4$ CONTACT IS STAMPED FROM PRE-PLATED STOCK WHICH IS PLATED OVERALL WITH 0.00127 [.000050] NICKEL, THEN STRIPED WITH 0.00076 [.000030] GOLD IN CONTACT AREA INDICATED AND TIN-LEAD ON SOLDER TAIL END.
- $\Delta 5$ CONTACT IS PLATED OVERALL WITH 0.00127 [.000050] NICKEL, THEN 0.00076 [.000030] GOLD OVER CONTACT LENGTH INDICATED AND MATTE TIN ON SOLDER TAIL END.
- $\Delta 6$ OBSOLETE PARTS: OBSOLETE CIS STREAMLINING PER D.RENAUD/D.SINISI



RECOMMENDED LAYOUT FOR 3.18 [.125] THICK PC BOARD

$\Delta 6$ OBSOLETE	PH BRZ GOLD $\Delta 5$	NYLON, NATURAL $\Delta 2$	350989-5
	PH BRZ TIN	NYLON, NATURAL $\Delta 2$	350989-4
	PH BRZ GOLD $\Delta 4$	NYLON, NATURAL $\Delta 2$	350989-3
	CONTACT	HOUSING	PART NO

METRIC

THIS DRAWING IS A CONTROLLED DOCUMENT.

DIMENSIONS: mm [INCHES]	TOLERANCES UNLESS OTHERWISE SPECIFIED:	DIN K. WHITAKER 11OCT2005	Tyco Electronics Corporation Harrisburg, PA 17105-3608
0 PLC ±	1 PLC ±	CHK S. RIDGILL 11OCT2005	
ϕ	2 PLC ±	APVD S. RIDGILL 11OCT2005	NAME Tyco Electronics
	3 PLC ± 0.13 [.005]	PRODUCT SPEC	SOCKET HEADER ASSEMBLY, 6 CIRCUIT, LONG TAIL, UNIVERSAL MATE-N-LOK (TM)
	4 PLC ±	APPLICATION SPEC	SIZE A1
	ANGLES ±	WEIGHT	CAGE CODE 00779
MATERIAL SEE TABLE	FINISH SEE TABLE	RESTRICTED TO	DRAWING NO 350989
		CUSTOMER DRAWING	SCALE 5:1 SHEET 1 OF 1 REV G3