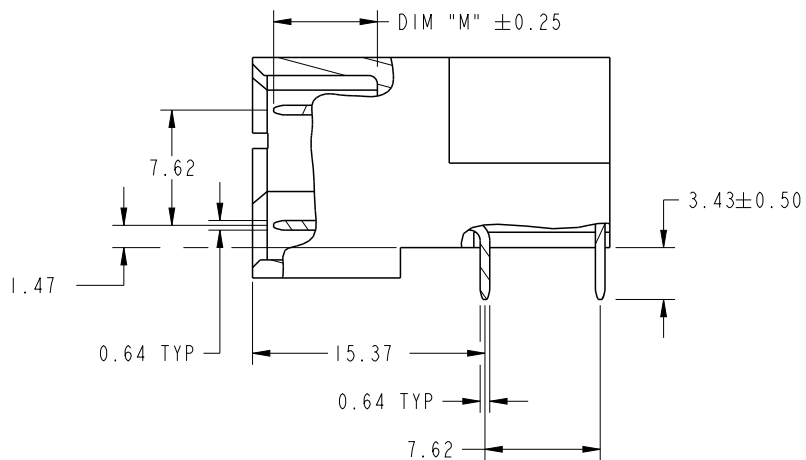


| CODE | DIM "M" MATING LENGTH | CONTACT TYPE |
|------|-----------------------|--------------|
| U    | [6.86]                | SIGNAL       |
| R    | [6.86]                | SIGNAL       |
| PA   | [N/A]                 | POWER        |
| HA   | [N/A]                 | HOLD-DOWN    |
| X    | OMITTED               | OMITTED      |

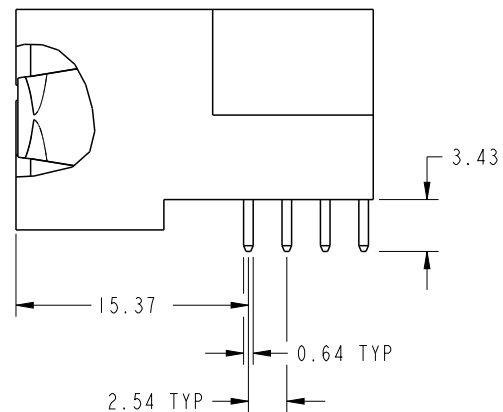
|                                       |            |       |                |             |                |               |                        |              |       |     |
|---------------------------------------|------------|-------|----------------|-------------|----------------|---------------|------------------------|--------------|-------|-----|
| spec ref                              | *          | dr    | Ruan MT        | 2014/07/14  | projection<br> | MM<br>        | size                   | A4           | scale | 1:1 |
| tolerance std                         | ASME Y14.5 | eng   | Ruan MT        | 2014/07/29  |                |               | ecn no                 | -            |       |     |
| TOLERANCES UNLESS OTHERWISE SPECIFIED |            | chr   | -              | -           |                |               | rel level              | Released     |       |     |
| surface                               | ✓          | appr  | Pei-Ming Zheng | 2014/07/29  | product family | PwrBlade      | rev                    | A            |       |     |
| ASME Y14.5                            | linear     | 0.X   | ±0.5           |             | title          | 4ACP+16S+2ACP | dwg no                 | 51939-906    |       |     |
|                                       |            | 0.XX  | ±0.25          |             |                |               |                        |              |       |     |
|                                       |            | 0.XXX | ±0.1           |             |                |               |                        |              |       |     |
|                                       | angular    | 0°    | ±2°            | www.fci.com | cat. no.       | -             | Product - Customer Drw | sheet 1 of 4 |       |     |

PRODUCT NUMBER

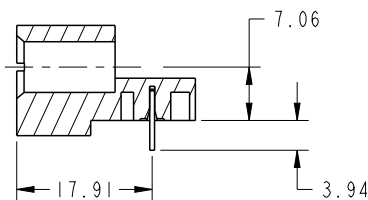
51939-906--  
NOTE: 3



SECTION A-A  
SCALE 2:1



BROKEN-OUT SECTION B-B  
SCALE 2:1

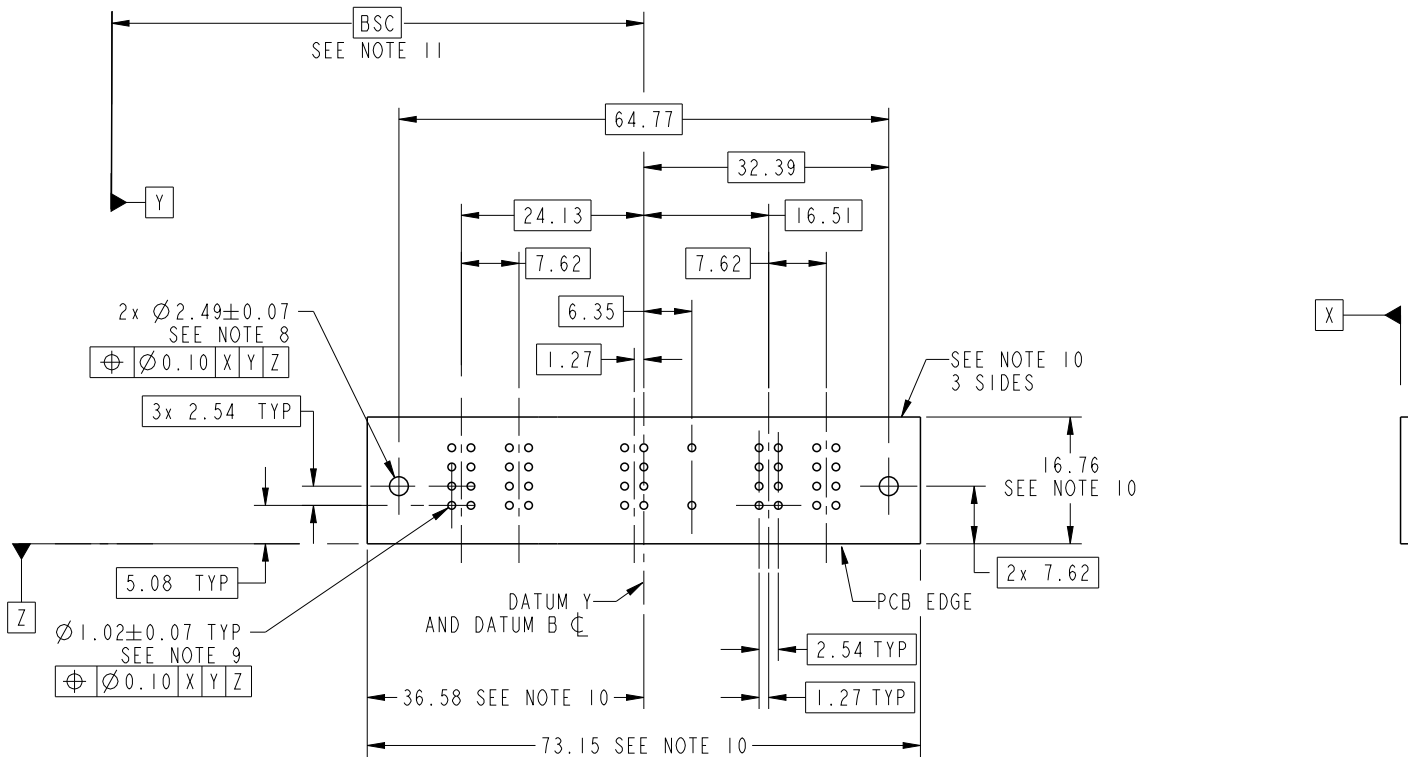


SECTION C-C

|             |                |   |                        |          |           |              |       |     |
|-------------|----------------|---|------------------------|----------|-----------|--------------|-------|-----|
| dr          | Ruan MT        | 2014/07/14  | projection<br>         | MM<br>   | size      | A4           | scale | 1:1 |
| eng         | Ruan MT        | 2014/07/29  |                        |          | ecn no    | -            |       |     |
| chr         | -              | -   |                        |          | rel level | Released     |       |     |
| appr        | Pei-Ming Zheng | 2014/07/29  | product family         | PwrBlade |           |              |       |     |
|             |                | title<br>4ACP+16S+2ACP<br>RIGHT ANGLE SOLDER HEADER | dwg no<br>51939-906    | rev<br>A |           |              |       |     |
| www.fci.com |                | cat. no.  | Product - Customer Drw |          |           | sheet 2 of 4 |       |     |

PRODUCT NUMBER

51939-906\_\_  
NOTE: 3



RECOMMENDED PCB LAYOUT

|             |                |  |                        |          |           |              |       |     |   |
|-------------|----------------|--|------------------------|----------|-----------|--------------|-------|-----|---|
| dr          | Ruan MT        | 2014/07/14                                 | projection<br>         | MM<br>   | size      | A4           | scale | 1:1 |   |
| eng         | Ruan MT        | 2014/07/29                                 |                        |          | ecn no    | -            |       |     |   |
| chr         | -              | -  |                        |          | rel level | Released     |       |     |   |
| appr        | Pei-Ming Zheng | 2014/07/29                                 | product family         | PwrBlade |           |              |       |     |   |
|             | title          | 4ACP+16S+2ACP<br>RIGHT ANGLE SOLDER HEADER |                        |          | dwg no    | 51939-906    |       | rev | A |
| www.fci.com | cat. no.       | -  | Product - Customer Drw |          |           | sheet 3 of 4 |       |     |   |

PRODUCT NUMBER

51939-906\_\_  
NOTE: 3

NOTES:

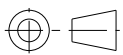
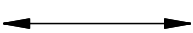

1. DIMENSIONS AND TOLERANCES ARE IN ACCORDANCE WITH ASME Y14.5M, 1994 UNLESS OTHERWISE SPECIFIED.

CONNECTOR NOTES:

- 2. HOUSING MATERIAL: UL 94 V-0 GLASS FILLED HIGH-TEMP THERMOPLASTIC  
POWER CONTACT MATERIAL: COPPER ALLOY  
SIGNAL PIN MATERIAL: COPPER ALLOY
- 3. SEE ITEM 1 & 2 IN PRINT 10064183 FOR PLATING SPEC OF 51939-906 AND 51939-906LF RESPECTIVELY.
- 4. MANUFACTURER'S NAME, DATE CODE AND OPTIONAL P/N TO APPEAR ON THIS SURFACE. THE MARK CAN BE OMITTED IF THERE IS NOT ENOUGH SPACE ON THIS SURFACE.
- 5. PRODUCT SPECIFICATION GS-12-149.  
APPLICATION SPECIFICATION BUS-20-067.
- 6. PACKAGED IN TRAYS.

PCB NOTES:

- 7. ALL HOLE DIAMETERS ARE FINISHED HOLE SIZE.
- 8. MOUNTING HOLES, WHERE APPLICABLE, ARE UNPLATED.
- 9.  $\varnothing 1.151 \pm 0.025$  DRILLED HOLES PLATED WITH  
0.008 MIN SnPb OR Sn OVER 0.03  
TO 0.08 Cu PLATING TO ACHIEVE  
 $\varnothing 1.02 \pm 0.07$  HOLE.
- 10. CONNECTOR KEEP-OUT ZONE.
- 11. DATUM AND BASIC DIMENSIONS ARE ESTABLISHED BY CUSTOMER.

|             |                |            |   |   |   |                     |           |          |
|-------------|----------------|------------|---|---|---|---------------------|-----------|----------|
| dr          | Ruan MT        | 2014/07/14 | projection<br> | MM<br> | size  | A4                  | scale     | 1:1      |
| eng         | Ruan MT        | 2014/07/29 |   |   | ecm no  | -                   |           |          |
| chr         | -              | -          |   |   | product family                                      | PwrBlade            | rel level | Released |
| appr        | Pei-Ming Zheng | 2014/07/29 |                  |   | title<br>4ACP+16S+2ACP<br>RIGHT ANGLE SOLDER HEADER | dwg no<br>51939-906 | rev<br>A  |          |
| www.fci.com |                | cat. no.   | -   | Product - Customer Drw  |   | sheet 4 of 4        |           |          |



Copyright FCI.