

6

5

4

3

2

1

E

E

D

D

C

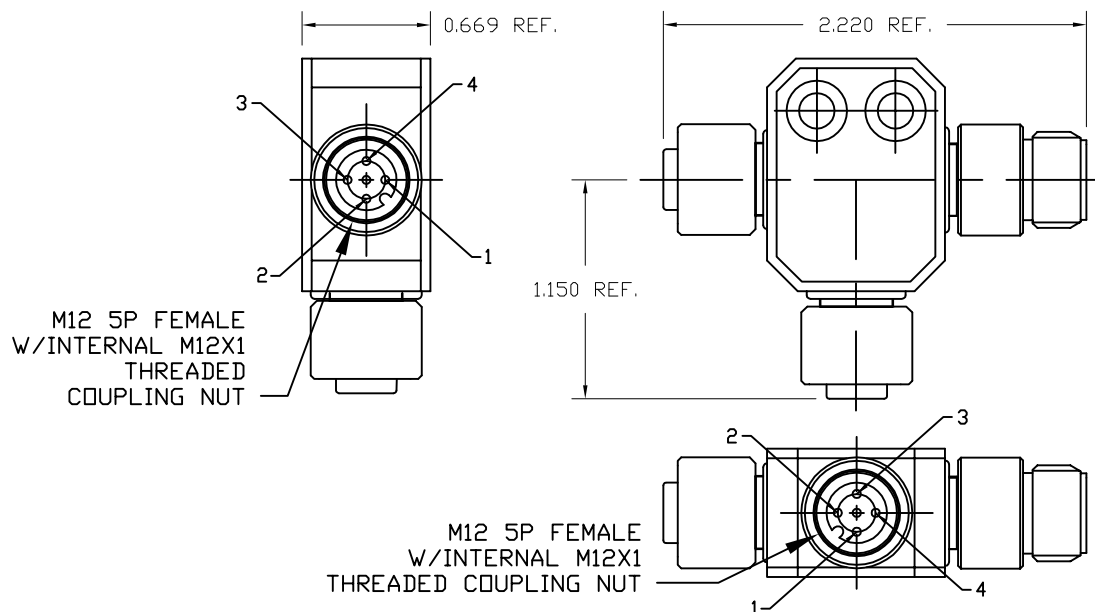
C

B

B

A

A



M12 5P FEMALE
W/INTERNAL M12X1
THREADED
COUPLING NUT

M12 5P MALE W/EXTERNAL M12X1
THREADED COUPLING NUT

M12 5P FEMALE
W/INTERNAL M12X1
THREADED COUPLING NUT

NOTES:

MATERIALS:

MOLDED BODY: GRAY PUR
COUPLERS: STAINLESS STEEL OR NI PLATED BRASS
CONTACTS: GOLD/NICKEL OVER COPPER ALLOY
MC INSERTS: BLACK PUR
O-RING(MIC FEM.): RED NITRILE RUBBER

ELECTRICAL:

CURRENT RATING: 4AMP MAX
VOLTAGE RATING: 250V

MECHANICAL:

TEMPERATURE RANGE: 0° TO 60°C
INGRESS PROTECTION: IP 67

AGENCY CERTIFICATIONS:

AGENCY: CSA PENDING

PART NUMBER REFERENCE:

MATERIAL NUMBER	ENGINEERING NUMBER	COUPLER STYLE
1300350097	MICT5558	HEX - 316 STAINLESS STEEL
1300350090	MICT555	KNURLED - NI PLATED BRASS

ADD MAT# TO TABLE	EC NO: WNA2009-0313 DRWN: LHARTMAN 2008/10/27 CHKD: YOU 2008/11/07 APPR: JFMURPHY 2008/11/10	REV DESCRIPTION	QUALITY SYMBOLS ▽=0 ∇=0	GENERAL TOLERANCES (UNLESS SPECIFIED)		DIMENSION STYLE ----		SCALE 1:1	DESIGN UNITS INCH	THIRD ANGLE PROJECTION		
					mm	INCH	DRAWN BY LHARTMAN	DATE 2008/10/27	TITLE MICRO-CHANGE TEE 5 POLE MA/FE W/FE DROP			
				4 PLACES	±---	±---	CHECKED BY YOU	DATE 2008/10/27	MOLEX INCORPORATED			
				3 PLACES	±---	±---	APPROVED BY JFMURPHY	DATE 2008/10/27	DOCUMENT NO. SD-130035-001			
				2 PLACES	±---	±---	ANGULAR ±---°		SHEET NO. 1 OF 1			
				1 PLACE	±---	±---	DRAFT WHERE APPLICABLE MUST REMAIN WITHIN DIMENSIONS		THIS DRAWING CONTAINS INFORMATION THAT IS PROPRIETARY TO MOLEX INCORPORATED AND SHOULD NOT BE USED WITHOUT WRITTEN PERMISSION			
C							SIZE A					

6

5

4

3

2

1