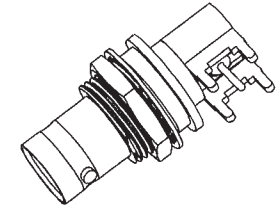
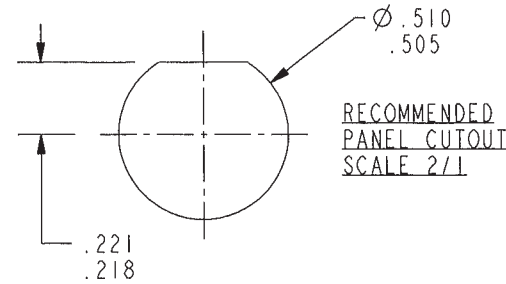
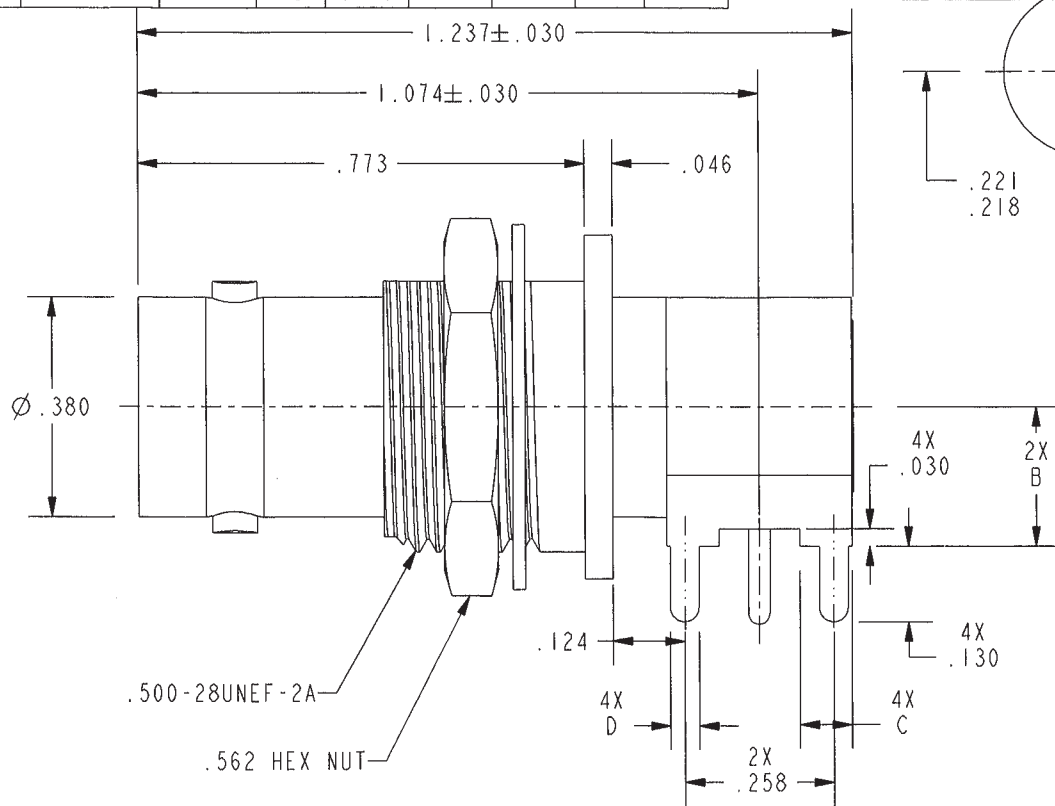


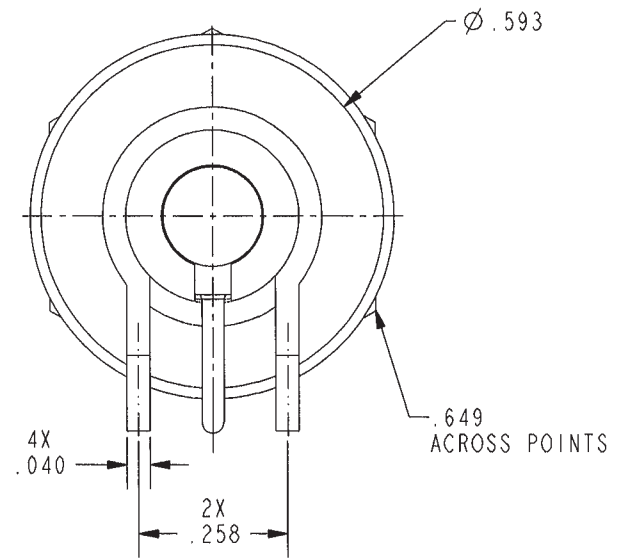
DASH NUMBER	MODEL NUMBER	LETTER CODE	IMPD Ω	A DIA	B DIM	C DIM	D DIM	E DIA
-1	CBBJR29		50	.046	.24	.090	.050	.0625
-2	UCBBJR29		75	.029				
-3	CBBJR29A	A	50	.046	.34	.090	.058	.070
-4	UCBBJR29A		75	.029				

DATA CONTAINED IN THIS DOCUMENT IS PROPRIETARY TO TROMPETER ELECTRONICS INC. AND SHALL NOT BE DISCLOSED, COPIED OR USED FOR PROCUREMENT OR MANUFACTURE WITHOUT EXPRESS WRITTEN PERMISSION.

REVISIONS			
REV	DESCRIPTIONS	DATE	APPROVED
G	REVISED PER ECO 16629	7-18-08	Ramos



SCALE 1/1

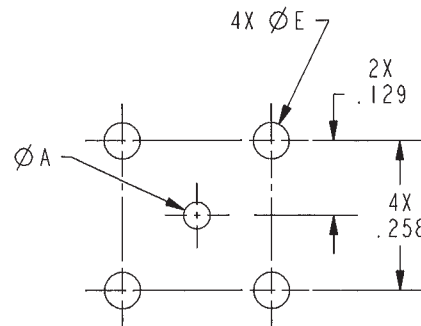


-1 SHOWN

RED INDICATES ORIGINAL

- MAXIMUM PANEL THICKNESS .179
- EXAMPLE OF COMPLETE MODEL NUMBER:

CBBJR29	A
BASIC MODEL NUMBER	LETTER CODE
- FINISH: TFS-1A (NICKEL)
- 50 & 75 Ω RIGHT ANGLE CIRCUIT BOARD AND BULKHEAD MOUNTING BNC RECEPTACLE



RECOMMENDED MIG HOLE PATTERN SCALE 3/1

NOTES: UNLESS OTHERWISE SPECIFIED.

INTERPRET DRAWING PER MIL-STD-100. DIMENSIONS ARE IN INCHES AND INCLUDE FINISH THICKNESS UNLESS OTHERWISE SPECIFIED.		TOL: UNLESS SPECIFIED: .XX ± .02 .XXX ± .010 ANGLE ± 1°		<p>a cinch connectivity solutions brand</p>	
DRN M JOHNSON	5-19-08	MATERIAL:	TITLE:		
CHK JM	6-23-08	FINISH:	U/CBBJR29		
MANUF		SIZE	CAGE CODE	DRAWING NO.	REV.
APPROVED JM	7/17/08	A	14949	1-0052	G
PROTE FILE NO.	1-0052	DO NOT SCALE DWG	SCALE	DATE	SHEET
NEXT ASSY			3/1	8-10-99	1C