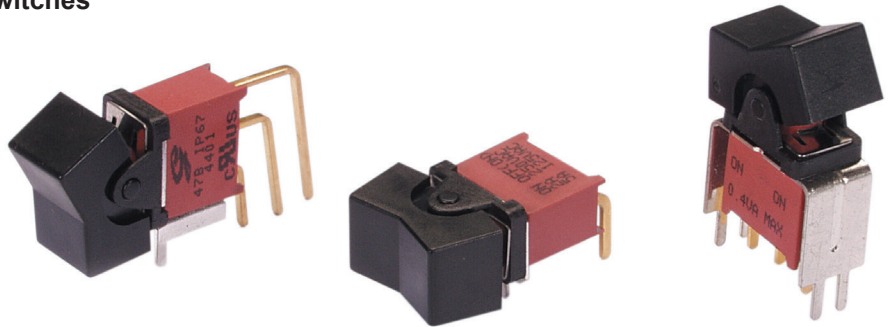


SERIES 47B
Sealed Miniature Rocker and Paddle Switches

FEATURES

- Save Space and Weight
- SPDT, DPDT and 3PDT Circuitry
- Choice of Actuators and Terminations
- Sealed per IP-67



MODELS in inches (and millimeters)

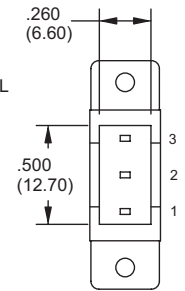
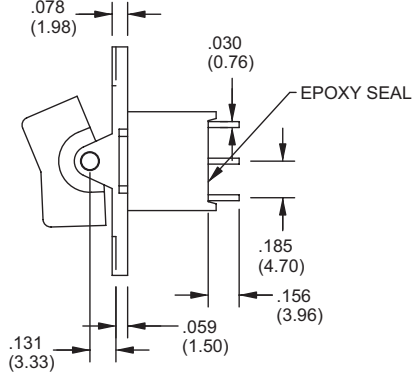
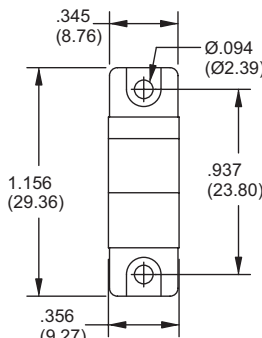
| MODEL NO. | SWITCH POSITION | | |
|-------------|-----------------|------|------|
| | | | |
| WSP1 | ON | NONE | ON |
| WSP2 | ON | NONE | (ON) |
| WSP3 | ON | OFF | ON |
| WSP4 | (ON) | OFF | (ON) |
| WSP5 | ON | OFF | (ON) |
| TERM. COMM. | 2-3 | OPEN | 2-1 |

SPDT

()=MOMENTARY

02COMM.

SCHEMATIC



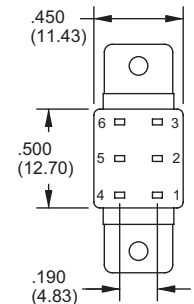
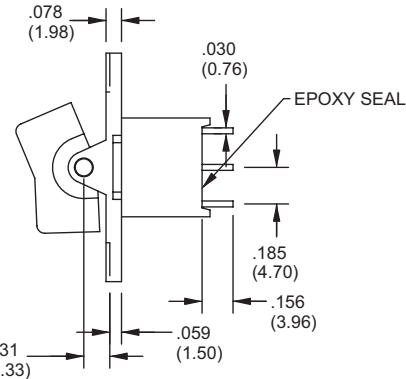
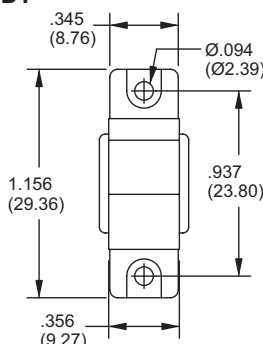
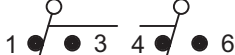
| MODEL NO. | SWITCH POSITION | | |
|-------------|-----------------|------|---------|
| | | | |
| WDP1 | ON | NONE | ON |
| WDP2 | ON | NONE | (ON) |
| WDP3 | ON | OFF | ON |
| WDP4 | (ON) | OFF | (ON) |
| WDP5 | ON | OFF | (ON) |
| TERM. COMM. | 2-3,5-6 | OPEN | 2-1,5-4 |

DPDT

()=MOMENTARY

02COMM. 05COMM.

SCHEMATIC



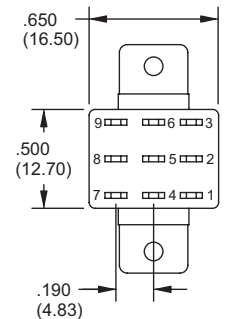
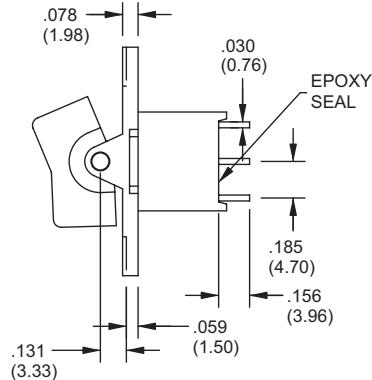
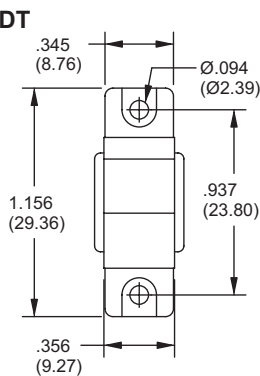
| MODEL NO. | SWITCH POSITION | | |
|-------------|-----------------|------|---------|
| | | | |
| W3P1 | ON | NONE | ON |
| W3P2 | ON | NONE | (ON) |
| W3P3 | ON | OFF | ON |
| W3P4 | (ON) | OFF | (ON) |
| W3P5 | ON | OFF | (ON) |
| TERM. COMM. | 2-3,5-6 | OPEN | 2-1,5-4 |

3PDT

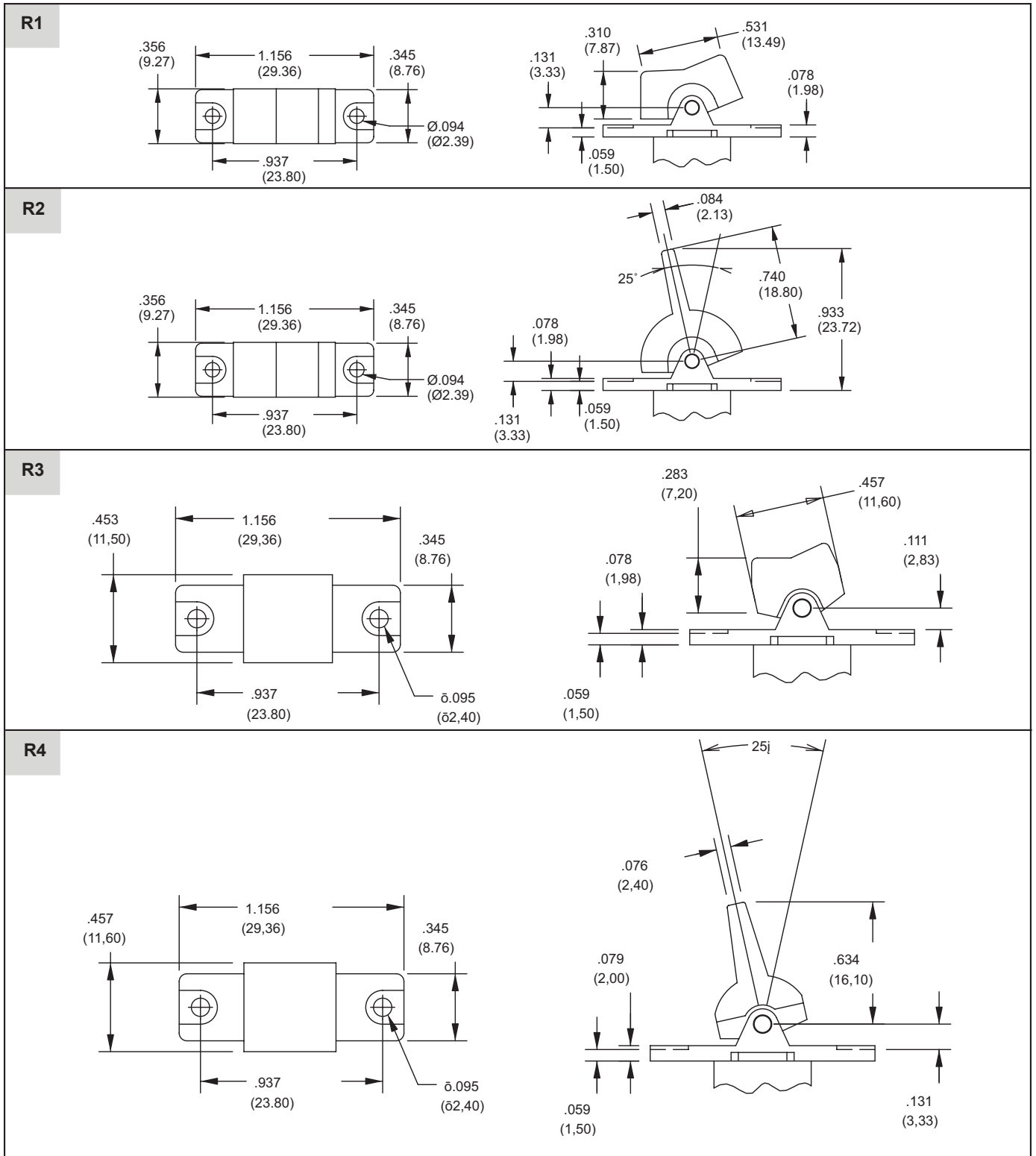
()=MOMENTARY

02COMM. 05COMM. 08COMM.

SCHEMATIC



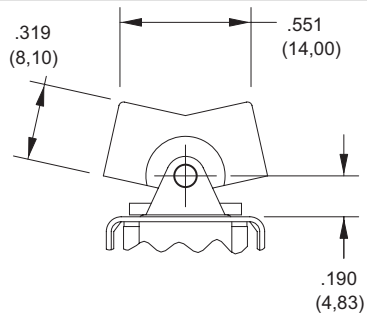
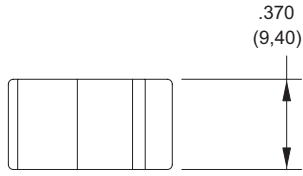
ACTUATOR OPTIONS in inches (and millimeters)



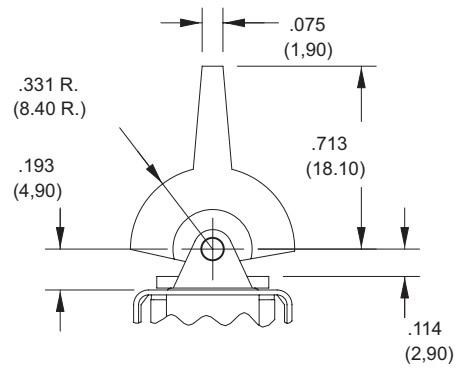
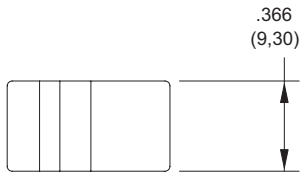
Rocker and Paddle Switches

ACTUATOR OPTIONS in inches (and millimeters)

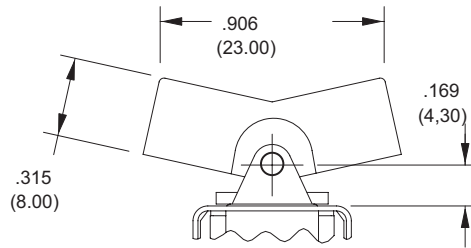
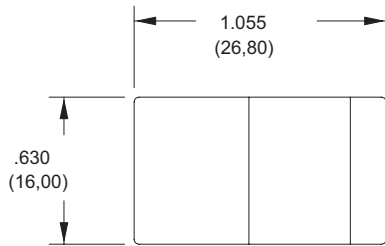
J1



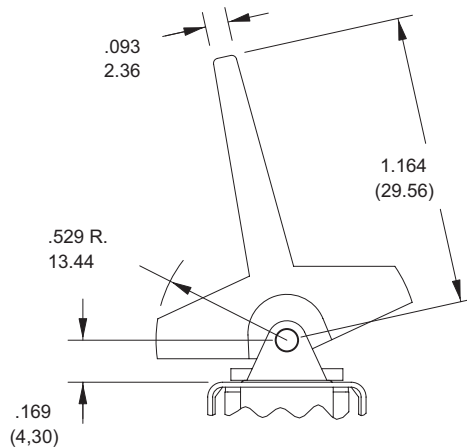
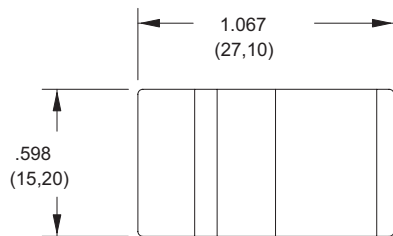
J2



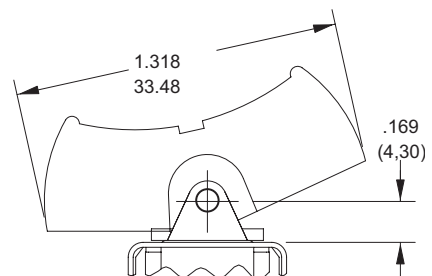
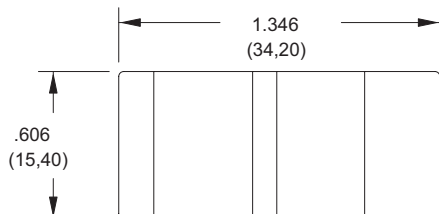
J3



J4



J5



TERMINATION OPTIONS in inches (and millimeters)

| | | | |
|------------------|------------------|------------------|------------------|
| <p>M1</p> | <p>M2</p> | <p>M3</p> | <p>WX</p> |
|------------------|------------------|------------------|------------------|

| OPTION CODE | DIM."A" |
|-------------|--------------|
| W1 | .750(19.05) |
| W2 | .964(24.48) |
| W3 | .425(10.80) |
| W4 | 1.062(26.97) |

M6 Right Angle P.C. Mount, Horizontal Actuation

SPDT

DPDT

3PDT

M7 Right Angle P.C. Mount, Vertical Actuation

SPDT

Rocker and Paddle Switches

SPECIFICATIONS

RATINGS

Contact Rating: Q option - 5A with resistive load @ 125 VAC or 28 VDC; 2A with resistive load @ 250 VAC. R option - 0.4 VA max @ 20 Vmax (AC or DC)

Electrical Life: 50,000 make-and-break cycles at full load

Contact Resistance: Below 10 milliohms

max. initial @ 2-4 VDC, 100 mA

Insulation Resistance: 1,000 megaohms minimum

Dielectric Strength: 1,500 V RMS @ sea level

Operating Temperature: -30°C to 85°C

MATERIALS

Case and Bushing: Glass-filled nylon 6/6 , flame retardant, heat stabilized (UL94V-0)

Actuator: Nylon, black standard. Internal O-ring seal standard with all actuators.

Frame: Spring steel, black (standard)

Switch Support: Brass, tin-plated

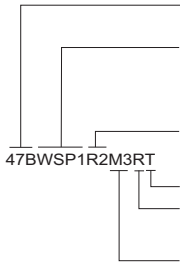

Actuator Pivot & Mounting Bracket: Nylon (UL 94V-0)

Actuator Pivot Retainer: Stainless Steel

Terminal Seal: Epoxy

Terminal/Contacts: Copper alloy with gold plate over nickel or silver plate

ORDERING INFORMATION

| Panel Mount | PC Board Mount |
|---|---|
|  <p>Series Sealed Miniature Rocker and Paddle Switches</p> <p>Model: SPDT: WSP1, WSP2, WSP3, WSP4, WSP5 DPDT: WDP1, WDP2, WDP3, WDP4, WDP5 3PDT: W3P1, W3P2, W3P3, W3P4, W3P5 (See Model options.)</p> <p>Actuator: R1, R2, R3, R4 (See Actuator options)</p> <p>RoHS Compliant</p> <p>Contact: R = Copper alloy, gold plate over nickel plate, Q = Copper alloy, gold plate over silver plate</p> <p>Termination Options: M1, M2, M3, W1, W2, W3, W4 (See Termination options)</p> |  <p>Series Sealed Miniature Rocker and Paddle Switches</p> <p>Model: SPDT: WSP1, WSP2, WSP3, WSP4, WSP5 DPDT: WDP1, WDP2, WDP3, WDP4, WDP5 3PDT: W3P1, W3P2, W3P3, W3P4, W3P5 (See Model options.)</p> <p>Actuator: J1, J2, J3, J4, J5 (See Actuator options)</p> <p>RoHS Compliant</p> <p>Contact: R = Copper alloy, gold plate over nickel plate, Q = Copper alloy, gold plate over silver plate</p> <p>Termination Options: M1, M2, M3, M6, M7, V2, V3, W1, W2, W3, W4 (See Termination options)</p> |
| <p>Available from your local Grayhill Component Distributor. For prices and discounts, contact a local Sales Office, an authorized local Distributor or Grayhill.</p> | |

Rocker and Paddle Switches