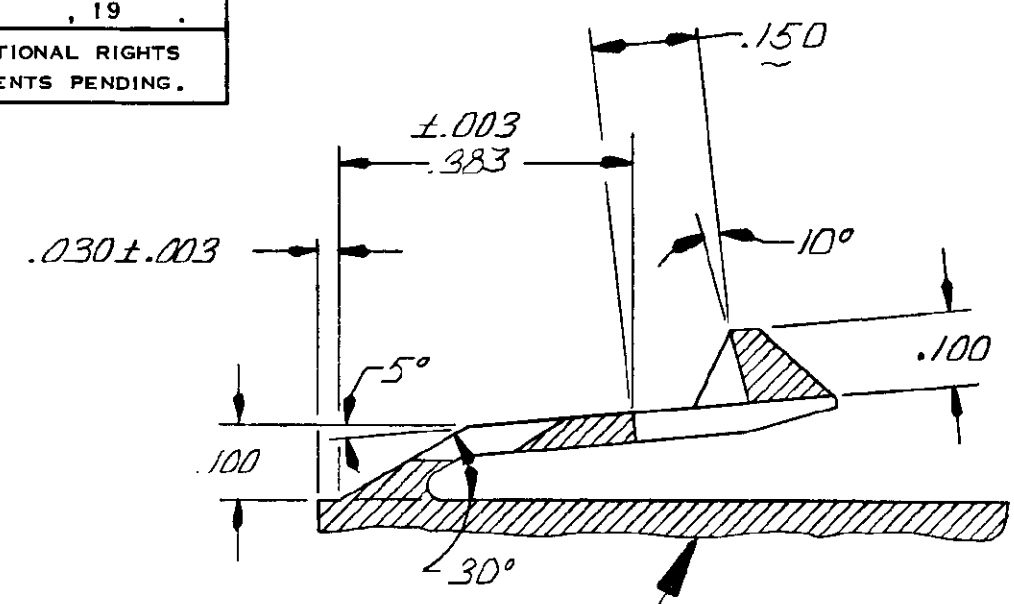
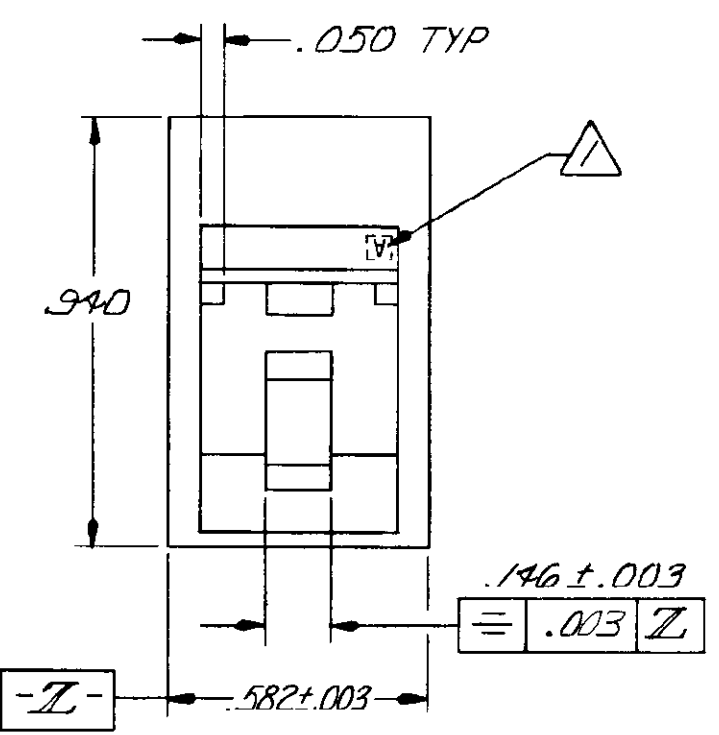


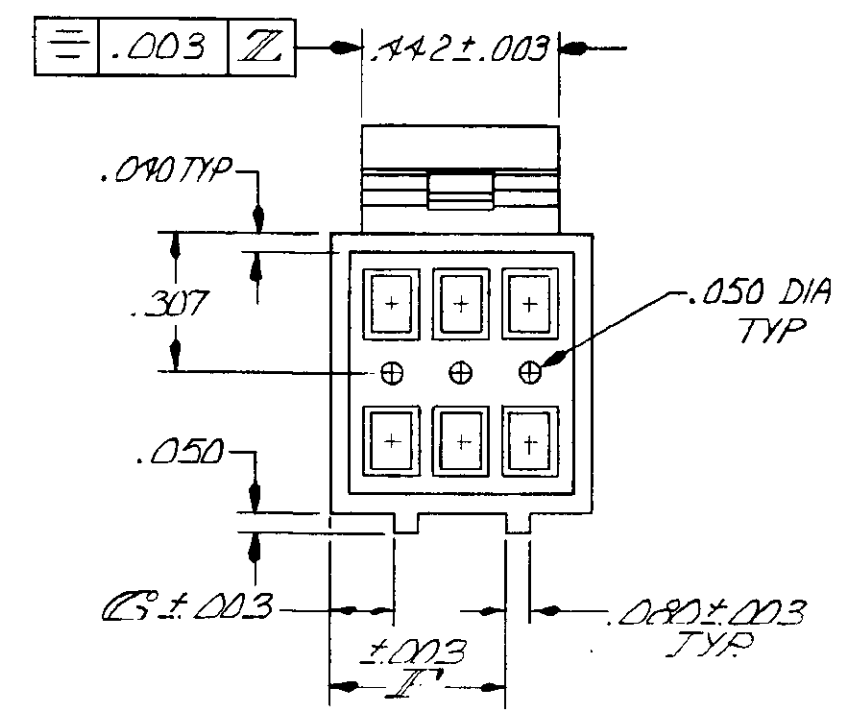
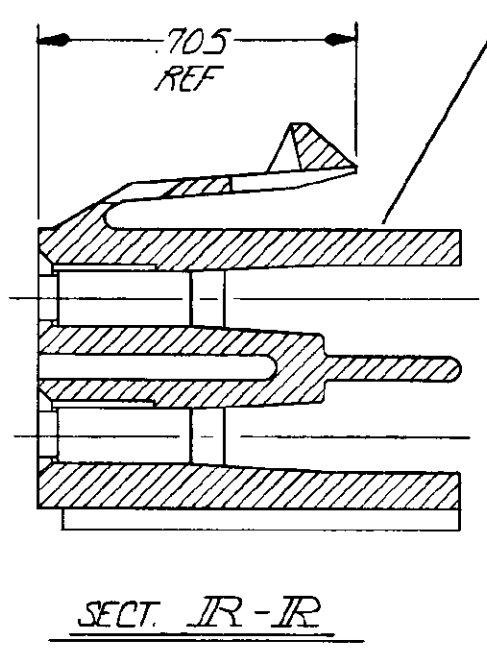
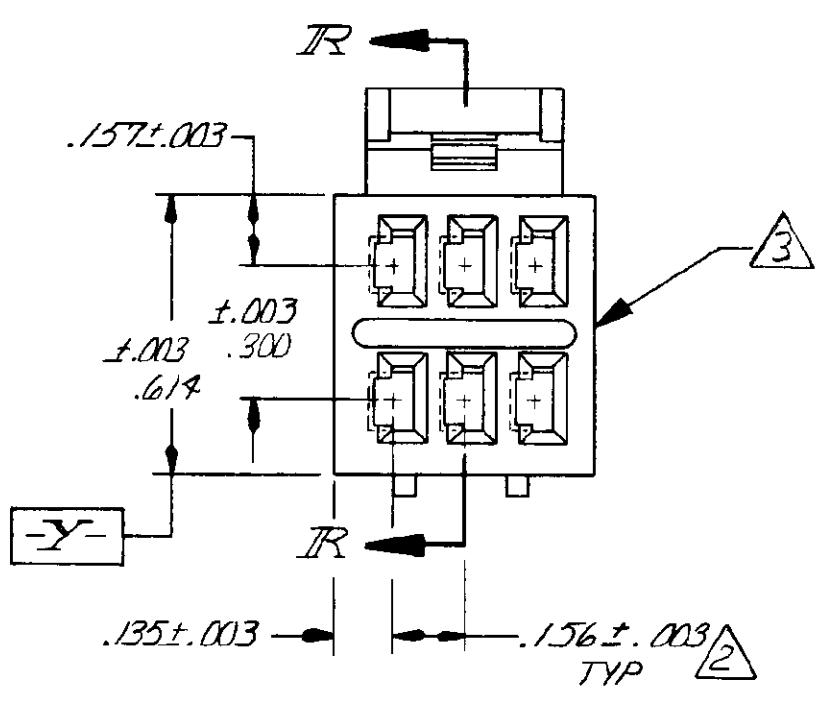
THIS DRAWING IS UNPUBLISHED. RELEASED FOR PUBLICATION, 19
 © COPYRIGHT 19 BY AMP INCORPORATED, HARRISBURG, PA. ALL INTERNATIONAL RIGHTS RESERVED. AMP PRODUCTS MAY BE COVERED BY U.S. AND FOREIGN PATENTS AND/OR PATENTS PENDING.

REVISIONS						
P	F	ZONE	LTR	DESCRIPTION	DATE	APPROVED
1	✓		D	REL. WAS 5106-70	12-21-83	WAL
2	✓		A	REV PLX ECN 481	12-24-83	WAL
3	✓		B	REV ECN 856	10-25-85	TRD J
4	✓		C	REV LOC & DIST AD-4171	11-27-89	BF
5	✓		D	REV PER 0410-0489-44	4-8-94	JH

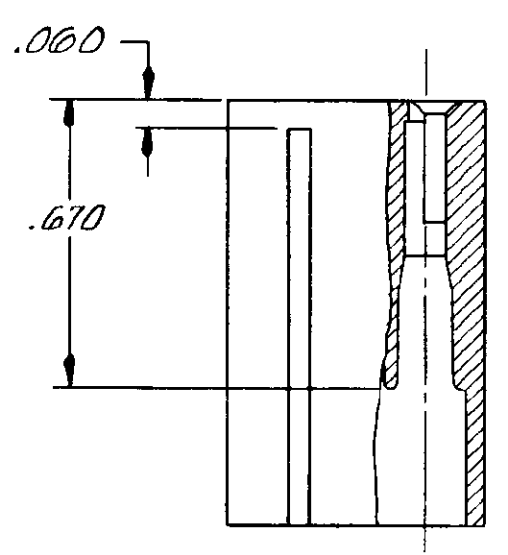
D



C



B



A

- ① HOUSING IDENT. LETTER, .093 HIGH CHARS., RAISED .003-.005 HIGH IN APPROX. AREA SHOWN. SEE TABLE FOR LETTER.
- ② TOLERANCE NON-CUMULATIVE.
- ③ BLUSHING PERMISSIBLE IN THIS AREA.

B	.338	.188	G	103366-2
A	.358	.138	G	103366-1
HSG. IDENT. LETTER	F	G	NO. OF POS.	PART NO

UNLESS OTHERWISE SPECIFIED DIMENSIONS ARE IN INCHES. TOLERANCES ON: DECIMALS ± .005 ANGLES ± 0°30'	CONTRACT NO	AMP AMP INCORPORATED Harrisburg, Pa. 17105	
	DR <i>A. Mayer</i> 12-21-83 CHK <i>Paul S. Hammett</i> 12-22-83 APPD <i>Paul S. Hammett</i> 12-22-83 APPD <i>Paul S. Hammett</i> 12-22-83		
MATERIAL FLAME RETARDANT THERMOPLASTIC, COLOR: BLACK	DSGN APPD	NAME HOUSING, MOD I, DBL. ROW, .156 X .300 E, 6 POS., WITH POLARIZING BARS & LATCH	SIZE C
FINISH	OTHER APPD	FSCM NO 00779	DRAWING NO 103366
		SCALE	SHEET 1 OF 1

103366