

4

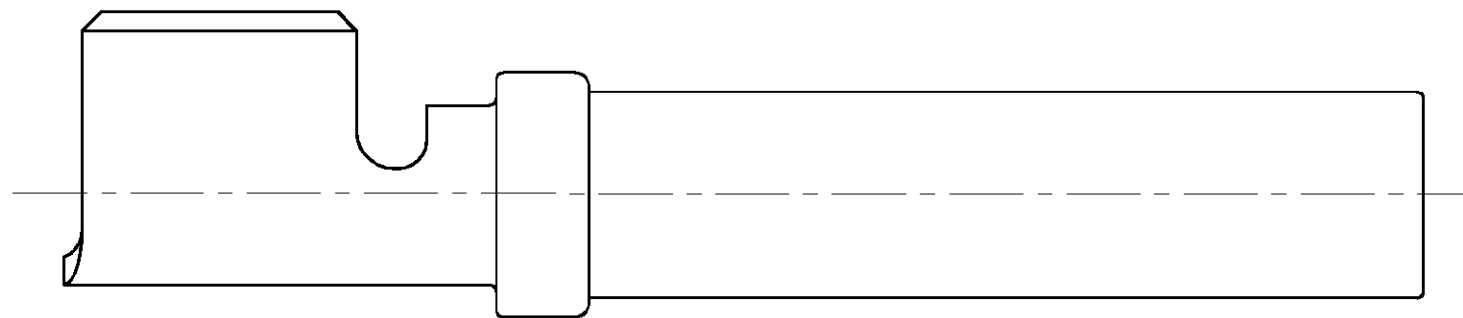
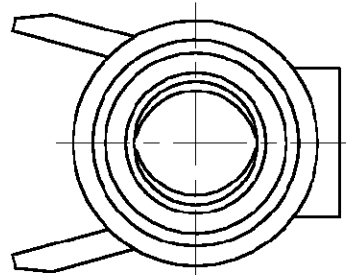
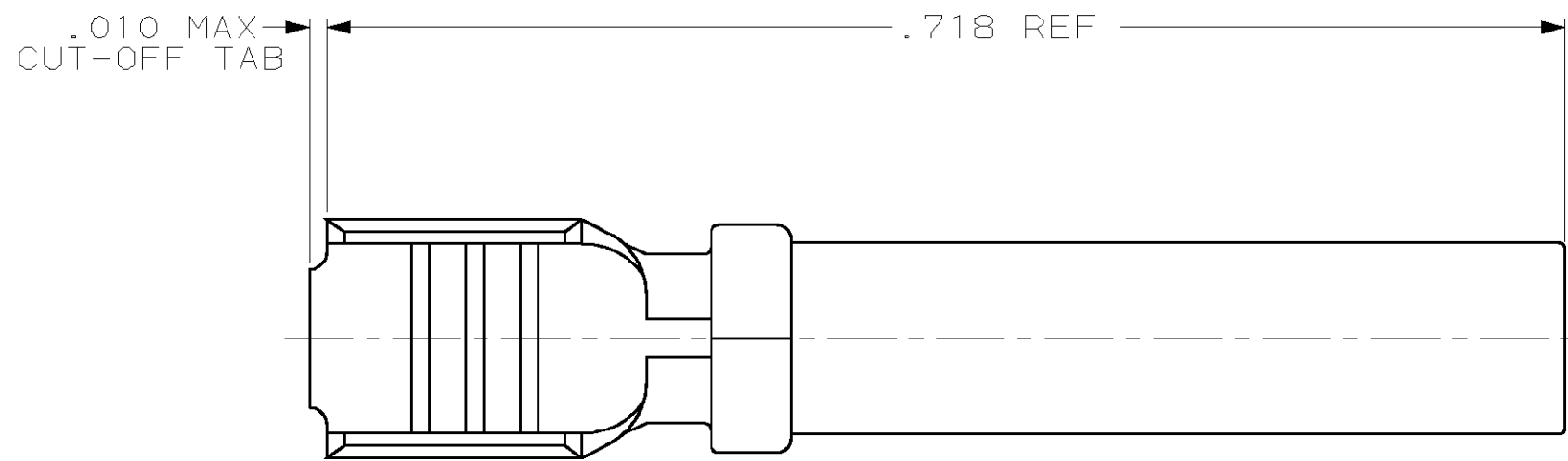
3

2

1

THIS DRAWING IS UNPUBLISHED. RELEASED FOR PUBLICATION .19  
 BY AMP INCORPORATED. ALL RIGHTS RESERVED.

LOC	DIST	REVISIONS			
P	LTR	DESCRIPTION	DATE	DWN	APVD
0		REL PER PR# 99-7	2-17-99	PC	WL
A		REV PER EC 0K40-0013-01	24AUG01	AG	MT



1. WIRE RANGE: 18-14 AWG

776297

LOOSE PIECE VERSION OF 638090-2	NICKEL	776297-2
LOOSE PIECE VERSION OF 638090-1	GOLD	776297-1
DESCRIPTION	FINISH	PART NUMBER

THIS DRAWING IS A CONTROLLED DOCUMENT.		DWN P. COLLINS 2-17-99	AMP Incorporated Harrisburg, PA 17105-3508		
DIMENSIONS: mm		CHK W. LONG 2-17-99			
		APVD S. MARPOE 2-17-99			
TOLERANCES UNLESS OTHERWISE SPECIFIED: 0 PLC ±- 1 PLC ±- 2 PLC ±0.5 3 PLC ±0.13 4 PLC ±- ANGLES ±- ±-		NAME ASSEMBLY, SOCKET LOOSE PIECE	SIZE A2	CAGE CODE 00779	DRAWING NO G- 776297
MATERIAL	FINISH	APPLICATION SPEC	RESTRICTED TO		
		WEIGHT	CUSTOMER DRAWING		SCALE - SHEET 1 OF 1 REV A