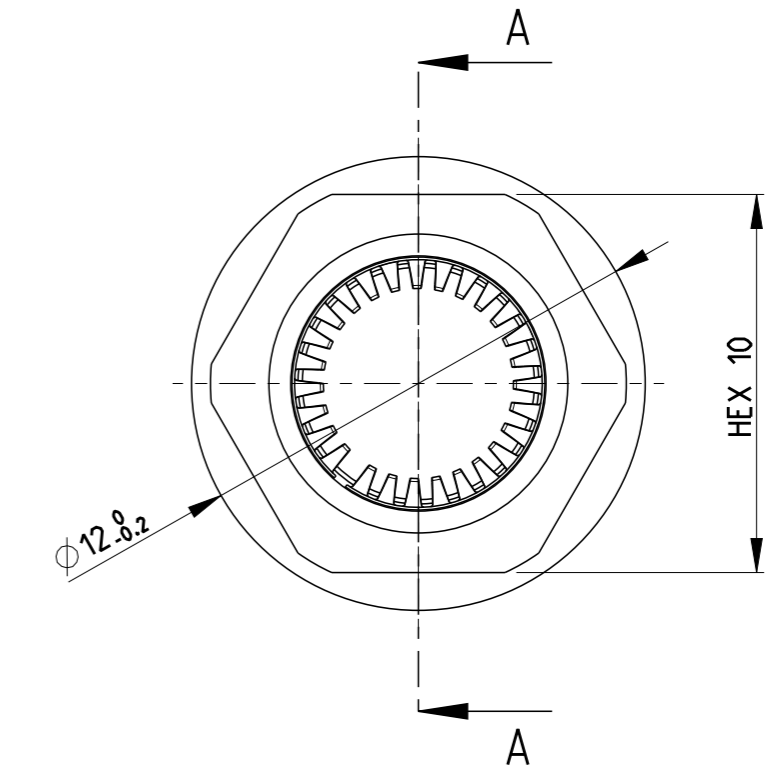
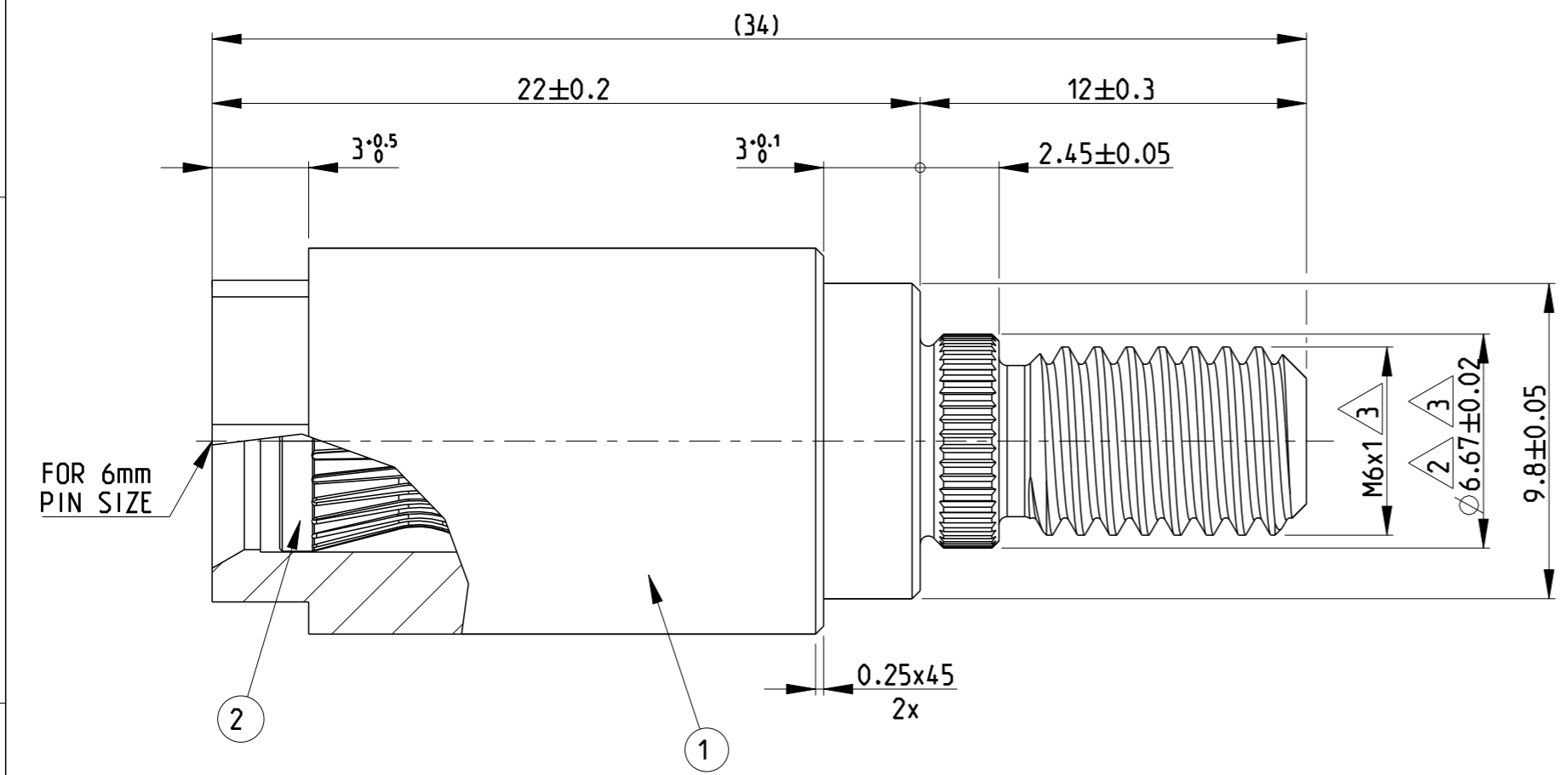
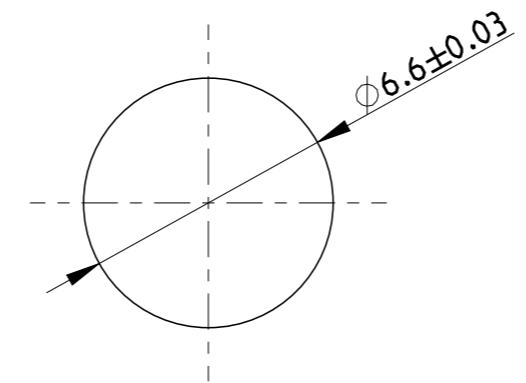


THIS DRAWING IS UNPUBLISHED. RELEASED FOR PUBLICATION 2009
 © COPYRIGHT 2009 BY TYCO ELECTRONICS CORPORATION, ALL RIGHTS RESERVED.

LOC	DIST	REVISIONS					
		P	LTR	DESCRIPTION	DATE	DWN	APVD
IS	-		51	First issue	03MAY2010	MS	MG
			52	Sampling	12MAY2010	MS	MG
			53	Second sampling	11JUN2010	MS	MG
			A	Go to production	04NOV2010	MS	MG

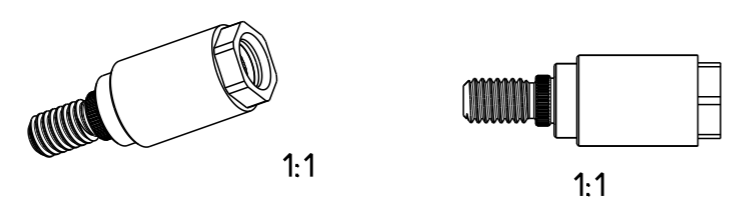


RECOMMENDED
PANEL CUT OUT



- 1 General tolerances acc.to ISO 2768-mH
- 2 Knurl according to DIN 82 RAA 0.5
- 3 Coupling torque 5N max.
- 4) Bulk-packagin

TE PN	Item	Description	Material	Plating
619445-1	2	CROWN	BeCu	min. 0.2 µm Au over Ni
	1	Outer Con.	Brass	min. 5 µm Ag



THIS DRAWING IS A CONTROLLED DOCUMENT FOR TYCO ELECTRONICS CORPORATION IT IS SUBJECT TO CHANGE AND THE CONTROLLING ENGINEERING ORGANIZATION SHOULD BE CONTACTED FOR THE LATEST REVISION.

DIMENSIONS: mm	TOLERANCES UNLESS OTHERWISE SPECIFIED: 0 PLC ± 1 PLC ± 2 PLC ± 3 PLC ± 4 PLC ± ANGLES ±°	FINISH	DWN M.Scheggia 03MAY2010 CHK M.Grazioli 03MAY2010 APVD - PRODUCT SPEC - APPLICATION SPEC - WEIGHT -	Tyco Electronics Lugano - Switzerland STRAIGHT SOCKET PIN SIZE 6mm 125 A	RESTRICTED TO
MATERIAL -			SIZE A3 CAGE CODE 00779 DRAWING NO C-619445		
			SCALE 5:1	SHEET 1 OF 1	REV A