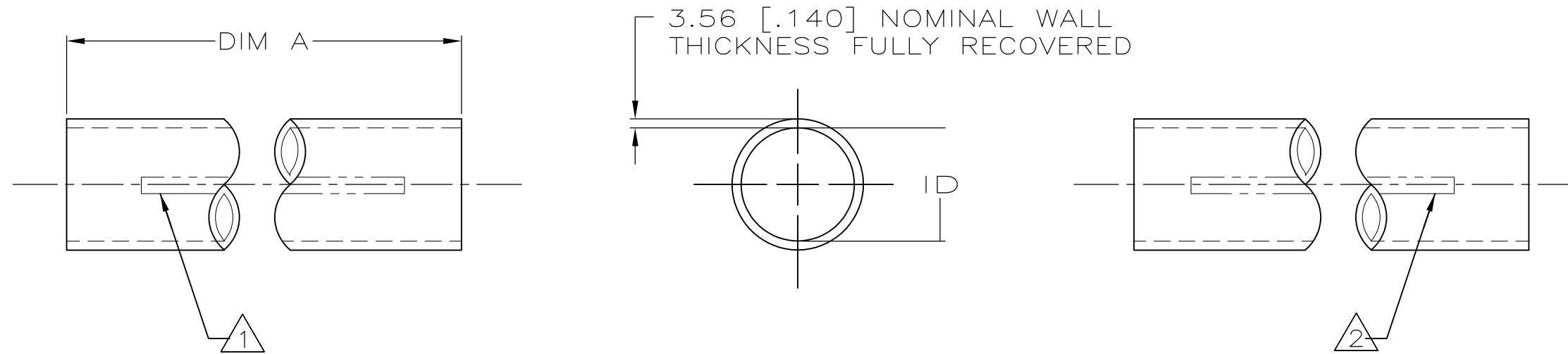


THIS DRAWING IS UNPUBLISHED. RELEASED FOR PUBLICATION, 19...  
 © COPYRIGHT 19 BY AMP INCORPORATED. ALL INTERNATIONAL RIGHTS RESERVED.

LOC	DIST	P	F	ZONE	LTR	DESCRIPTION	DATE	APPD
F1	25				S	REV; EC 0N20-0056-97	16SEP97	DS EH
					SI	REVISED PER ECO-09-020774	25AUG09	KK AEG



38.10 [1.500] MINIMUM EXPANDED  
 12.70 [.500] MAXIMUM RECOVERED

1 PRODUCT MARKED WITH AMP, AND DATE CODE WITH 6.35 [.25] HIGH CHARACTERS USING WHITE INK LOCATED ALONG THIS SURFACE. REPEAT EVERY 203.2 [8.0] INCHES.

2 PRODUCT MARKED 1.500 - .500/ 38.1mm - 12.7mm WITH 6.35 [.25] HIGH CHARACTERS USING WHITE INK LOCATED ALONG THIS SURFACE. REPEATED EVERY 203.2 [8.0] INCHES.

3 WEIGHT PER LINEAR FOOT: 77.1 GRAMS/ .17 POUNDS.

4 OBSOLETE PARTS: OBSOLETE CIS STREAMLINING PER D.RENAUD/D.SINISI

4 OBSOLETE	304.8 ±4.8 [12.00 ±.19]	53703-4
4 OBSOLETE	7696.20 - 7620.00 [303.00 - 300.00]	53703-2
4 OBSOLETE	1244.6 - 1219.2 [49.00 48.00]	53703-1

DIM A		PART NO
DO NOT SCALE PRINT. UNLESS SPECIFIED DIMENSIONS IN mm [INCHES] TOLERANCES ON:		AMP AMP Incorporated Harrisburg, PA 17105-3608
2 PLC DEC ± - 3 PLC DEC ± - ANGLES ± -		
MATERIAL	BLACK POLYOLEFIN	NAME AMPSULATION HWP31, HST WITHOUT SEALANT 1.500 INCHES DIAMETER
FINISH	-	SIZE B
DR	1-21-94 W CHANDLER	CAGE CODE 00779
CHK	2-14-94 D.KAAT	DRAWING NO C-53703
APPD	-	SCALE -
APPD	-	SHEET 1 OF 1
PRODUCT SPEC	-	
APPLICATION SPEC	-	
WEIGHT	3	

THIS DRAWING IS A CONTROLLED DOCUMENT FOR AMP INCORPORATED. IT IS SUBJECT TO CHANGE AND THE CONTROLLING ENGINEERING ORGANIZATION SHOULD BE CONTACTED FOR THE LATEST REVISION.