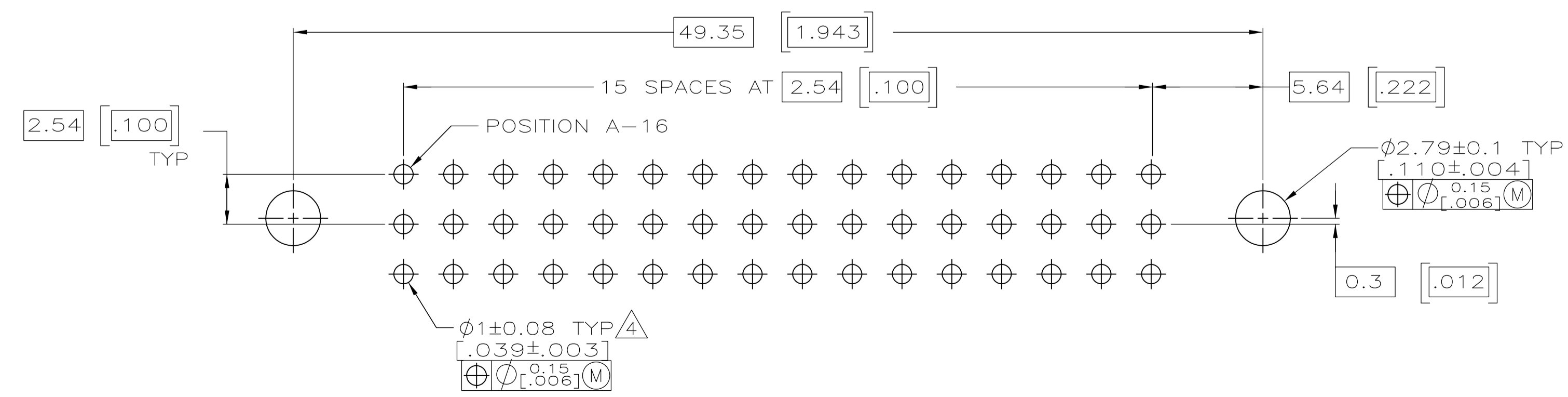
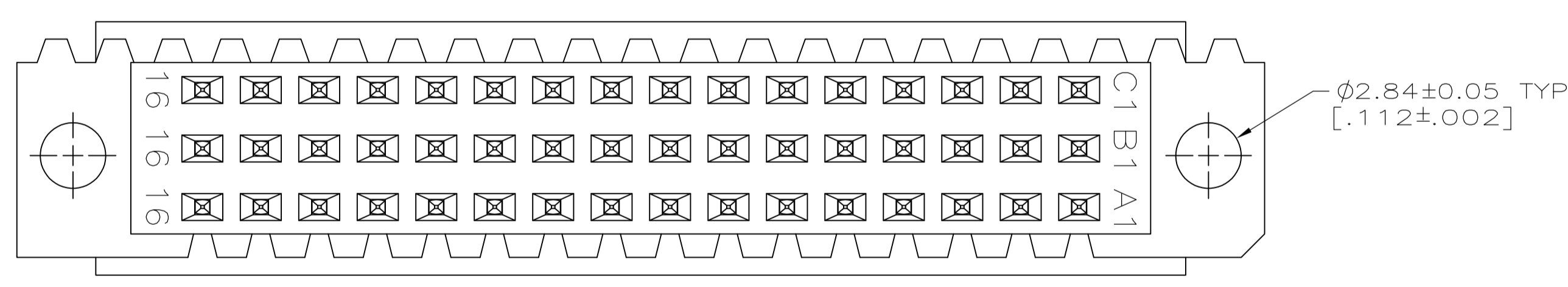
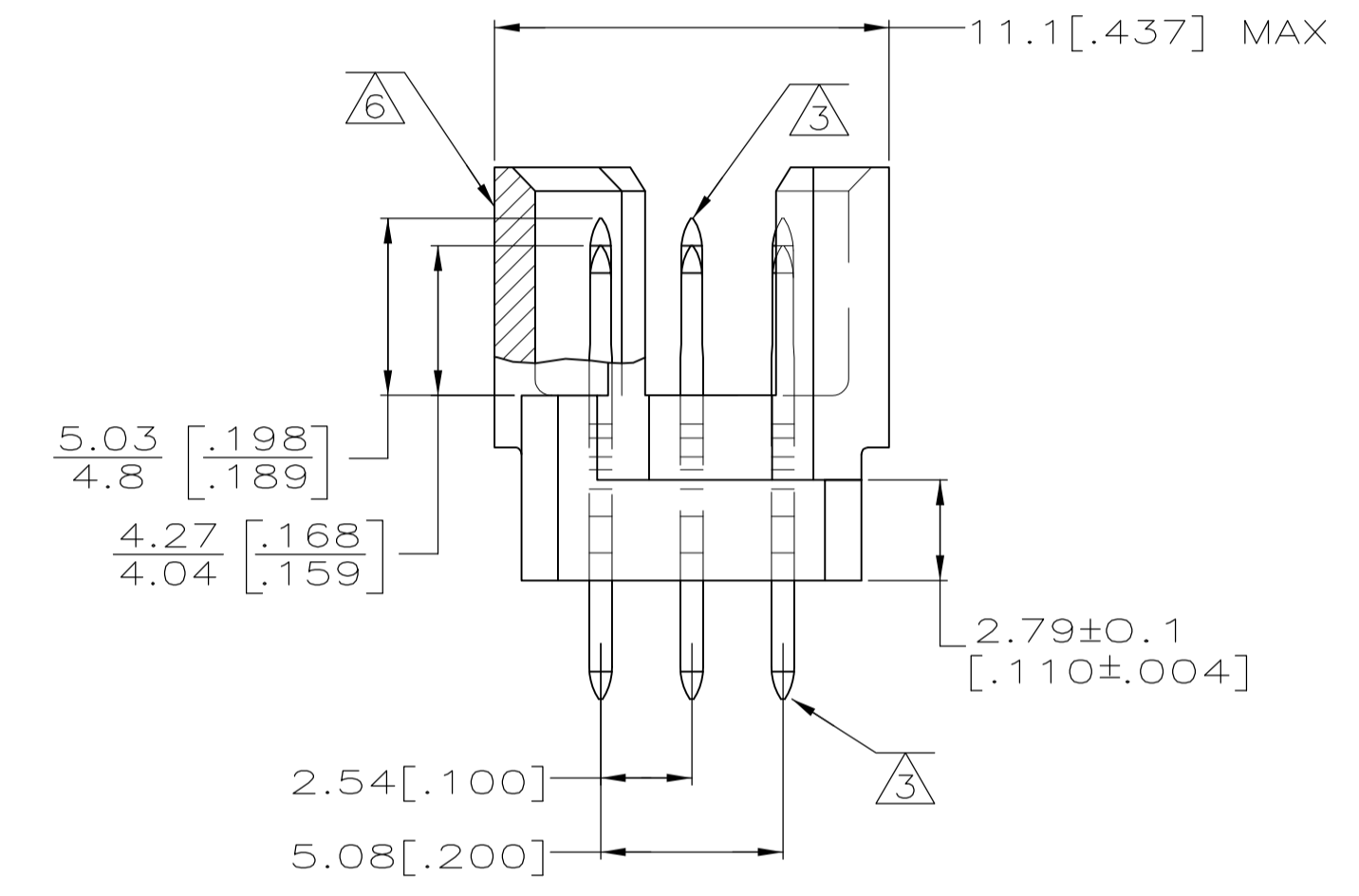
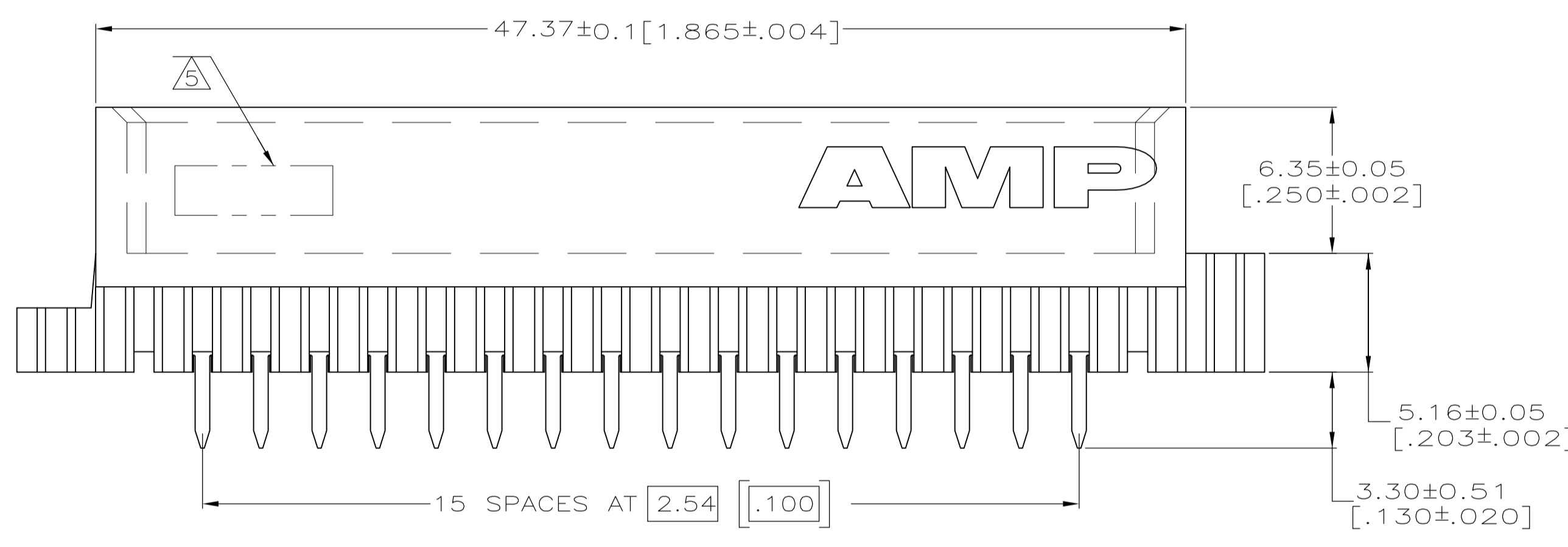
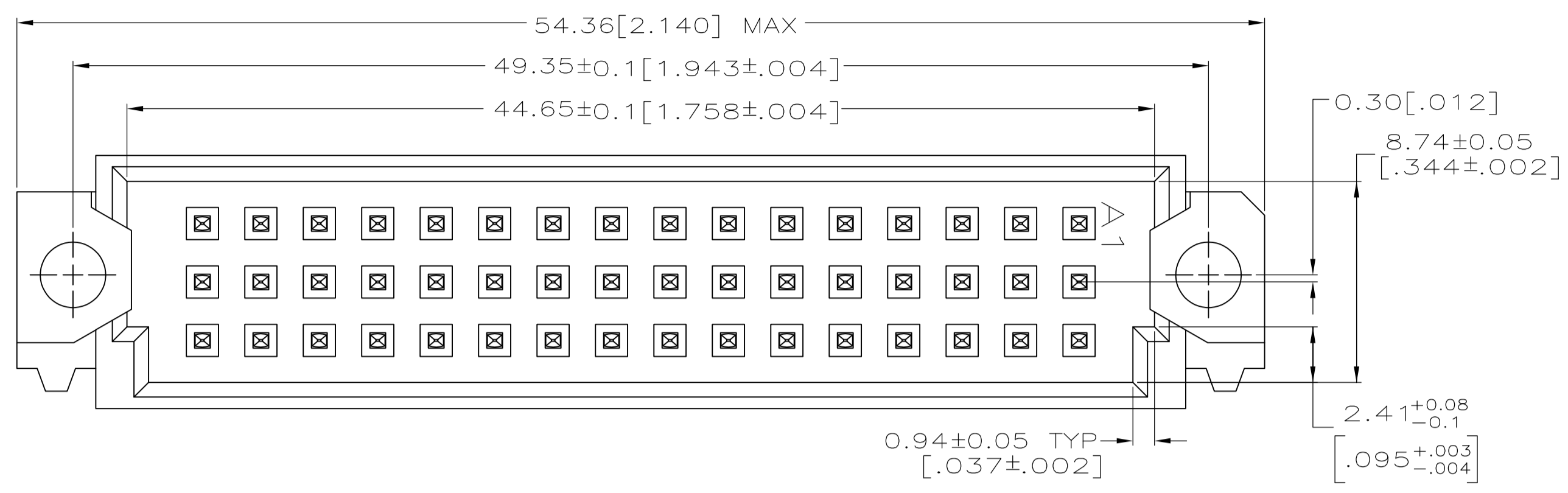


- 1 HOUSING MATERIAL: GLASS-FILLED POLYMER.
- 2 POST MATERIAL: COPPER ALLOY.
- 3 POST FINISH: DIN 41612 CLASS 2 IN CONTACT AREA. TIN PLATE ON POSTS.
- 4 RECOMMENDED HOLE SIZE FOR MANUAL APPLICATION OF CONNECTOR ONTO PC BOARD.
- 5 PART NUMBER, DATE CODE MARKED THIS APPROXIMATE AREA.
- 6 MARKINGS ON THIS SIDE.



PC BOARD LAYOUT

4 & 14	1-3, 5-13, 15-16	X	-	-	16	5148474-1
NONE	1-16	-	X	-	16	
NONE	1-16	-	-	X	16	
POSITIONS LOADED WITH 4.93[.194] CONTACTS	POSITIONS LOADED WITH 4.16[.164] CONTACTS	C	B	A	NO. OF LOADED POSITIONS	PART NUMBER

THIS DRAWING IS A CONTROLLED DOCUMENT.		DIN J. POLIGNONE DSMAY05	Tyco Electronics Corporation Harrisburg, Pa 17105-3608	
DIMENSIONS: mm [INCHES]	TOLERANCES UNLESS OTHERWISE SPECIFIED:	CMK A. SHARPE DSMAY05	NAME ASSEMBLY, PIN, EUROCARD, TYPE 1/2R, 48 POSITION, .130 SOLDER POST, WITH MFBL CONTACTS	
0 PLC ± -	1 PLC ± -	APVD A. SHARPE DSMAY05	SIZE A1	CAGE CODE DRAWING NO. 00779 5148474
2 PLC ± 0.13[.005]	3 PLC ± -	APPLICATION SPEC	WEIGHT -	RESTRICTED TO -
4 PLC ± -	ANGLES ± -	MATERIAL 1/2	CUSTOMER DRAWING	SCALE 5:1 SHEET 1 OF 1 REV 01