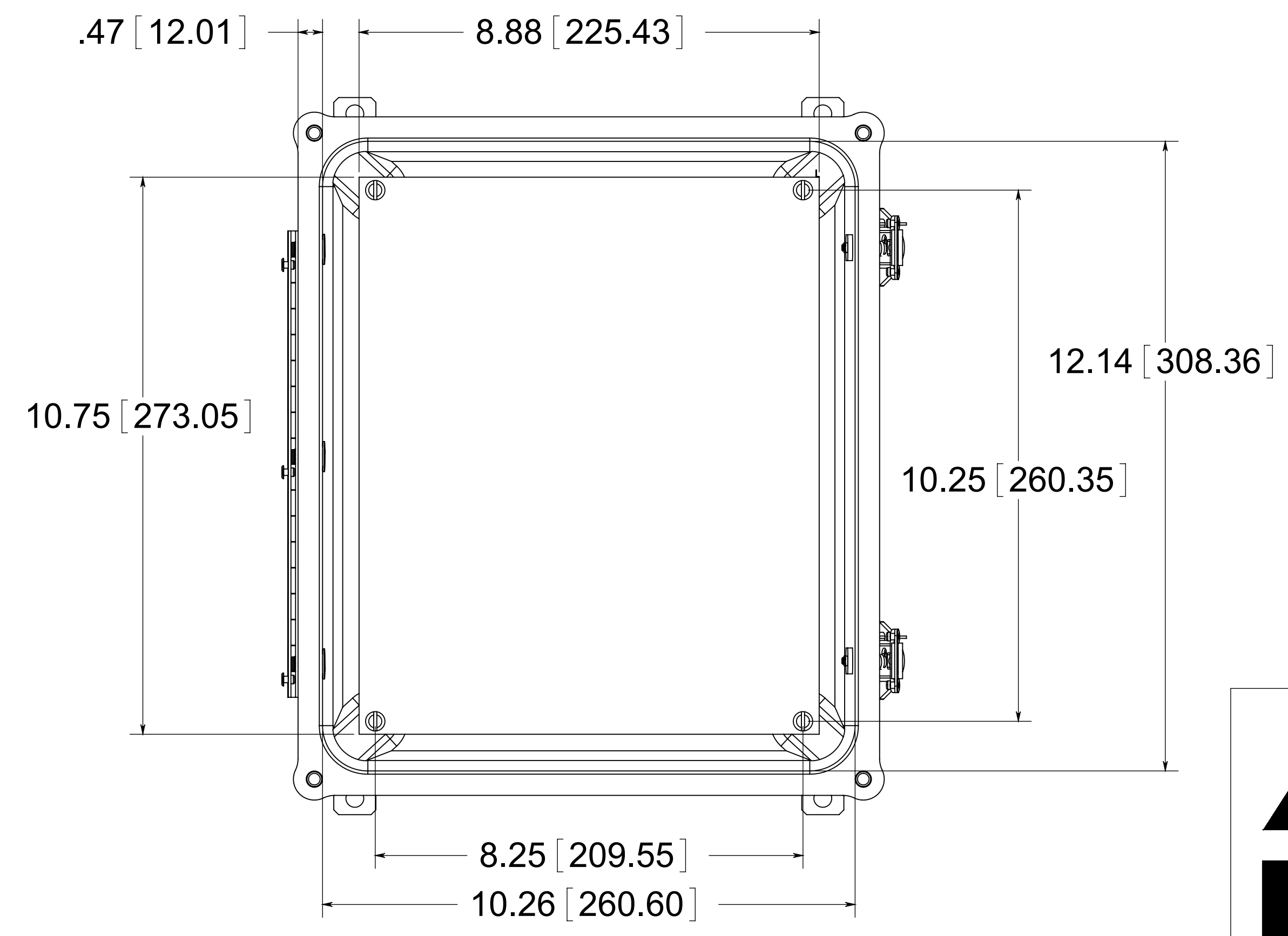
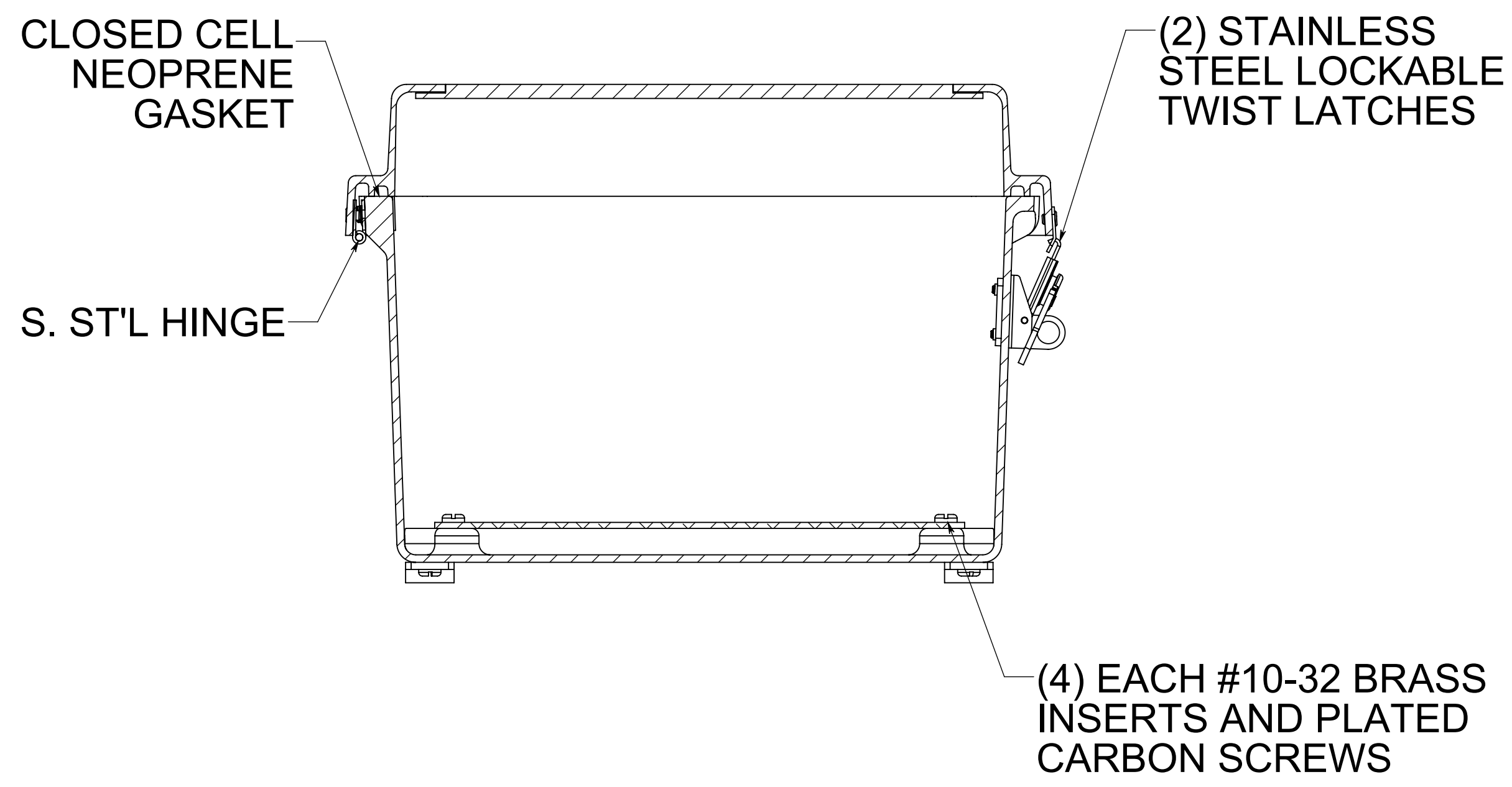


FRONT VIEW WITH COVER REMOVED AND BACK PANEL SHOWN
BACK VIEW



MATERIAL
BOX- COMPRESSION MOLDED FIBERGLASS REINFORCED POLYESTER
COVER- COMPRESSION MOLDED FIBERGLASS REINFORCED POLYESTER
WINDOWS- POLYCARBONATE

PART No. PJ12106RTW
for more information visit www.hammfg.com
Data subject to change without notice
Drawing Not to Scale