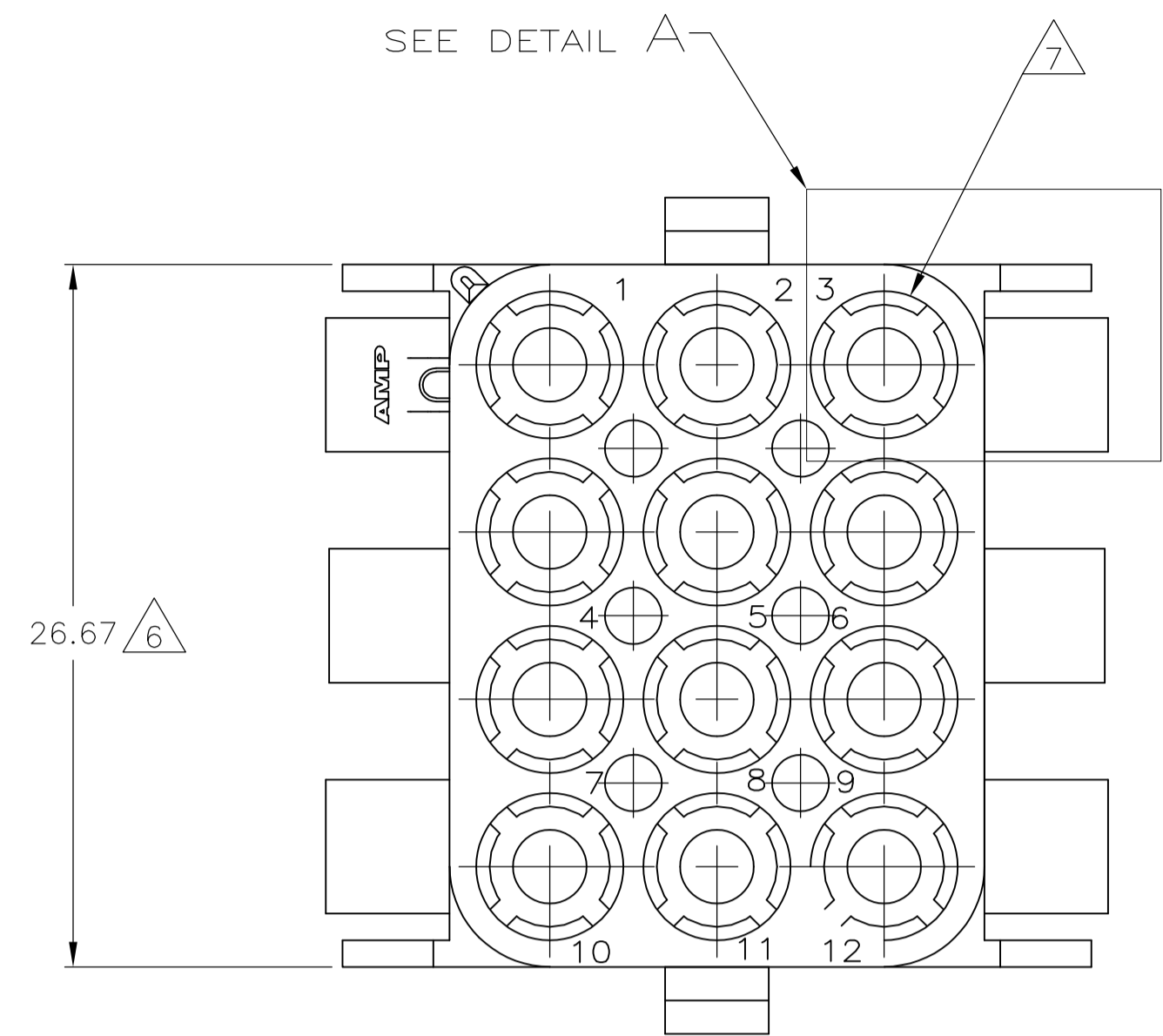
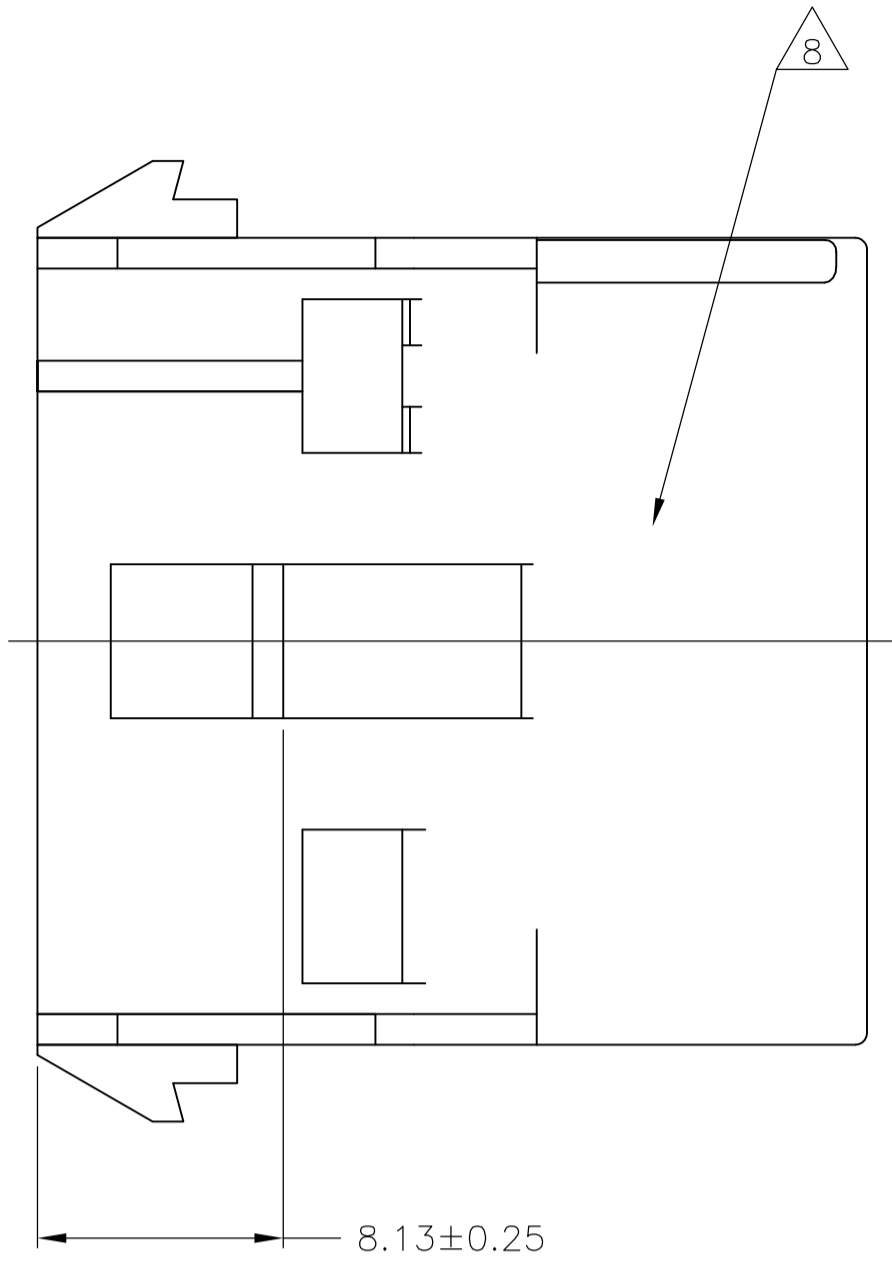
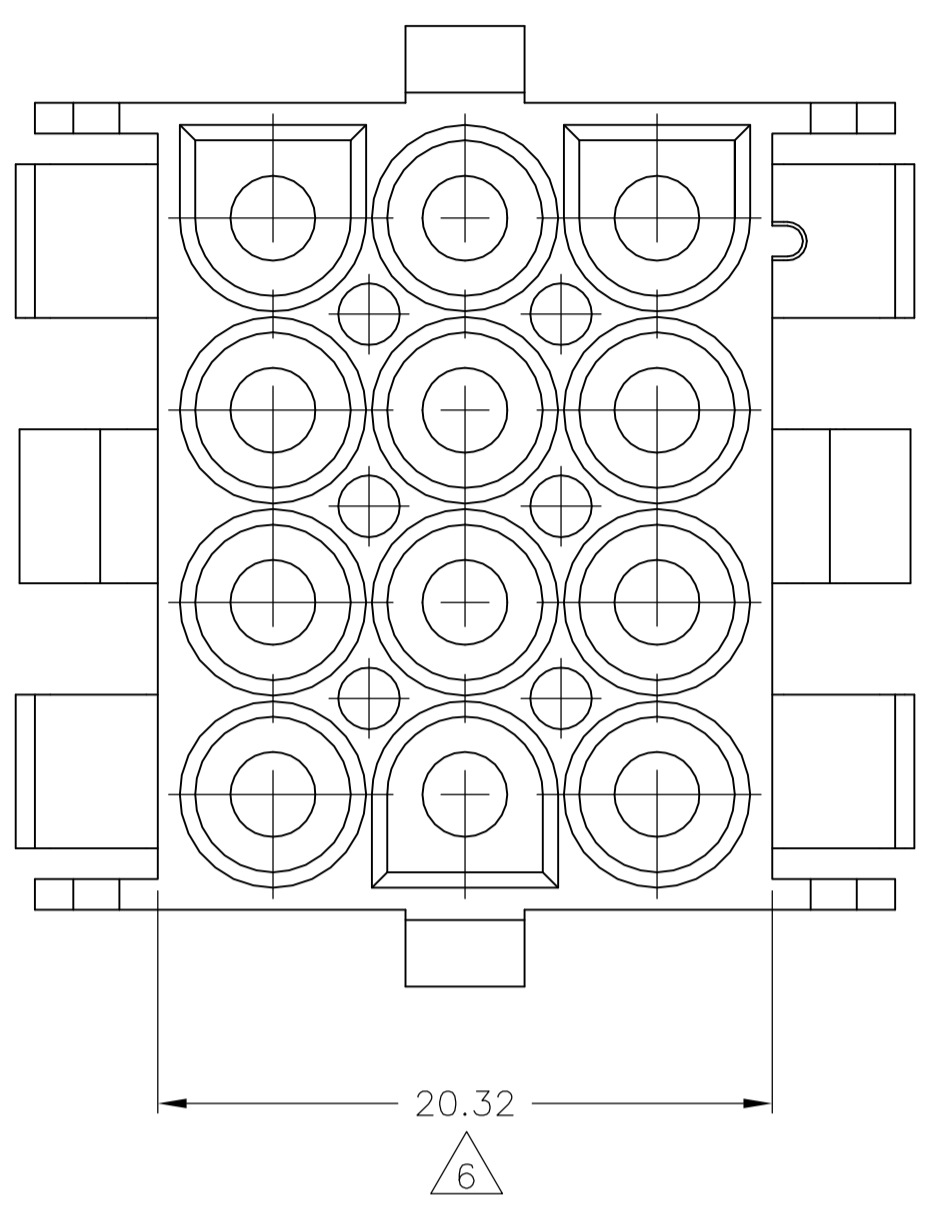
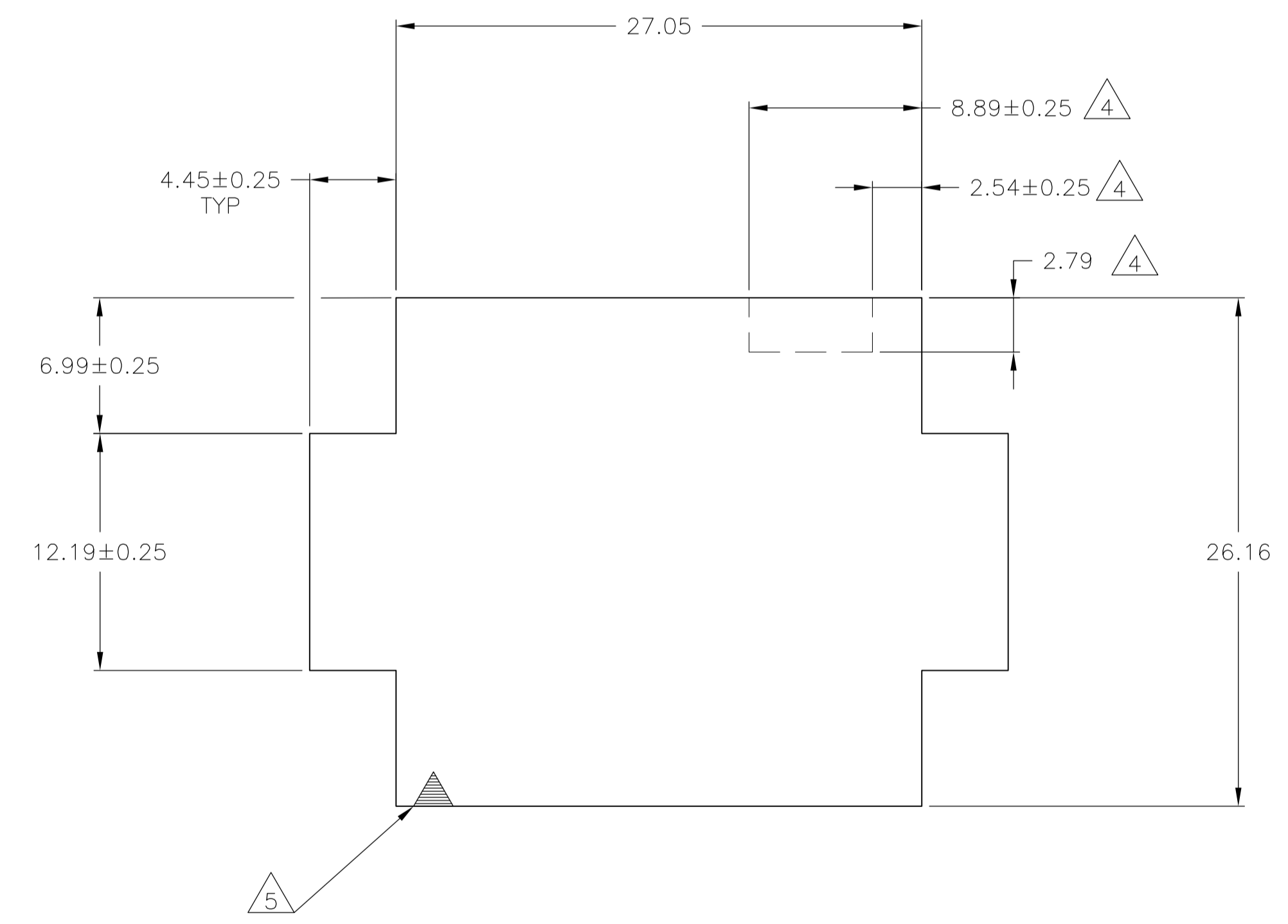
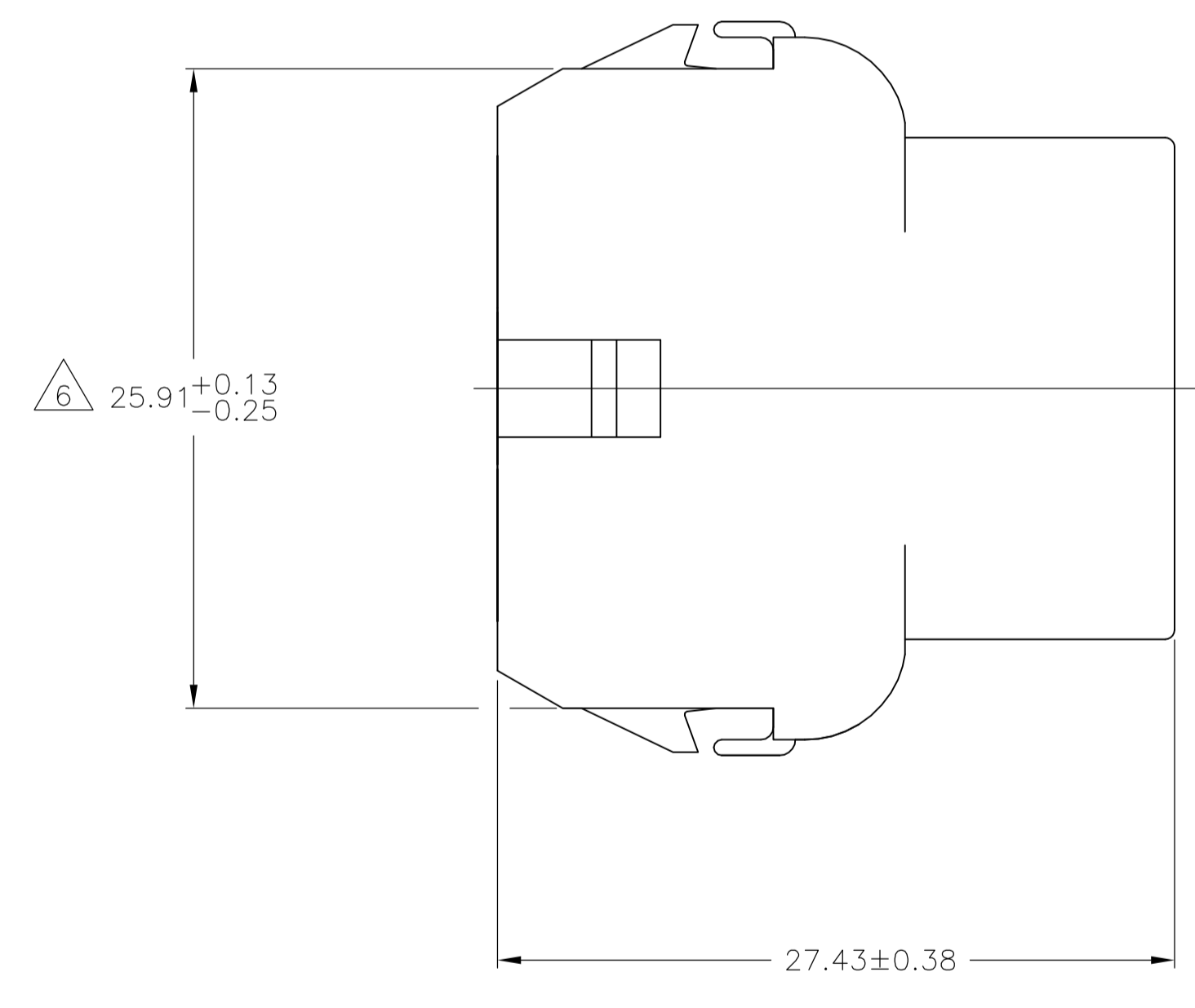
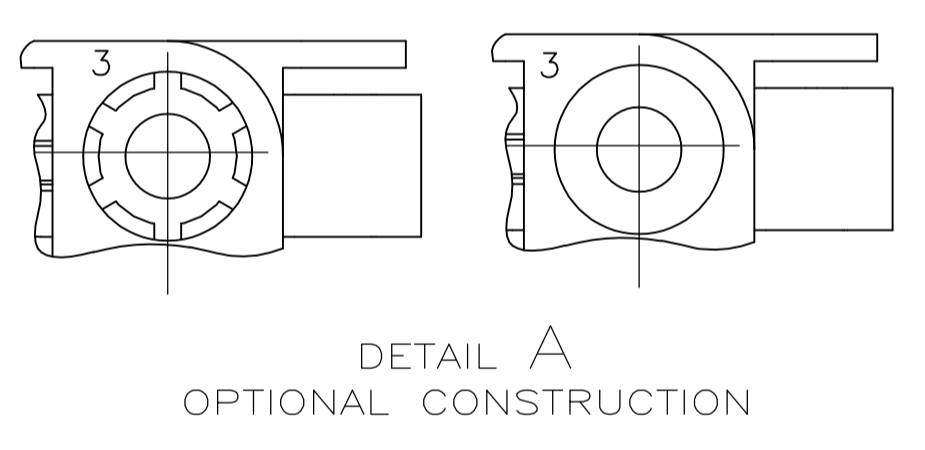


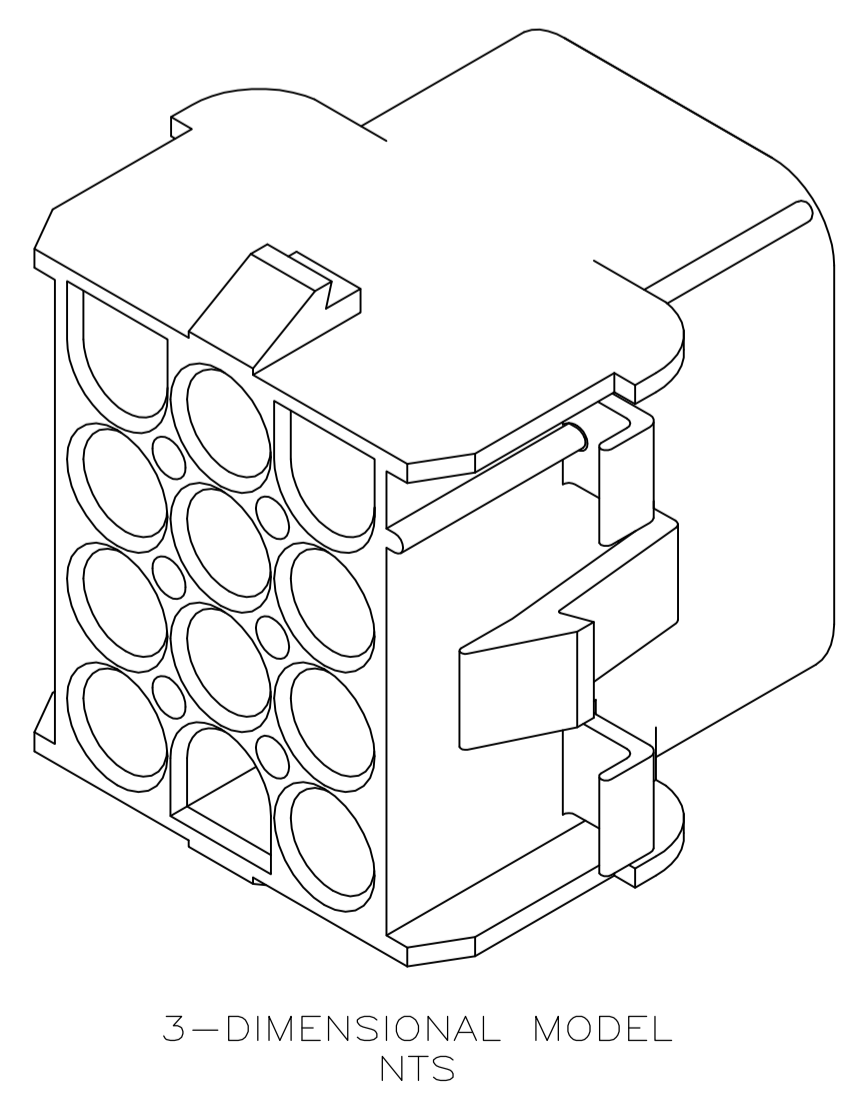
LOC		DIST		REVISIONS			
P	LTR	DESCRIPTION	DATE	DMN	APVD		
U2		REVISED PER ECO-11-005139	25MAR11	RK	HMR		



1. MATES WITH APPROPRIATE UNIVERSAL MATE-N-LOK™ PLUG.
2. RECOMMENDED PANEL THICKNESS 0.76 - 2.29.
3. PANEL MUST BE PUNCHED SO THAT THE HOUSING ENTERS THE PANEL IN THE SAME DIRECTION AS THE PUNCH.
4. OPTIONAL FOR KEYING HOUSING IN PANEL.
5. CIRCUIT NUMBER 1 LOCATION.
6. DIMENSION INDICATED IS AS MOLDED. ADDITIONAL GROWTH DUE TO SUBSEQUENT MOISTURE ABSORPTION MAY OCCUR.
7. FOUR RIBS EQUALLY SPACED, NO SPECIFIC ORIENTATION. NO RIBS OR SIX RIBS EQUALLY SPACED, NO SPECIFIC ORIENTATION, OPTIONAL.
8. UNDERWRITERS RECOGNIZED COMPONENT LOGO AND CSA CERTIFICATION LOGO TO BE LOCATED ONCE EACH ON SIDE OF HOUSING.



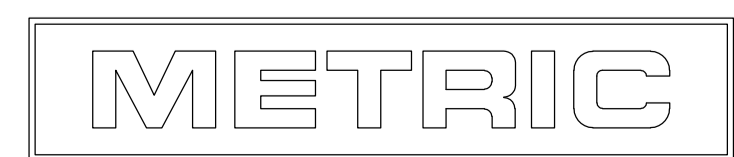
RECOMMENDED PANEL CUT OUT



6.99	.275	27.43	1.080
4.45	.175	27.05	1.065
2.79	.110	26.67	1.050
2.54	.100	26.16	1.030
2.29	.090	25.91	1.020
0.76	.030	20.32	.800
0.38	.015	12.19	.480
0.25	.010	8.89	.350
0.13	.005	8.13	.320
MM	IN	MM	IN

CONVERSION TABLE

BLACK	1-350783-9
GRAY	1-350783-8
BLUE	1-350783-6
GREEN	1-350783-5
YELLOW	1-350783-4
ORANGE	1-350783-3
RED	1-350783-2
BROWN	1-350783-1
NATURAL	350783-1
COLOR	PART NO.



THIS DRAWING IS A CONTROLLED DOCUMENT.

DIMENSIONS:	TOLERANCES UNLESS OTHERWISE SPECIFIED:	DIN K. WHITAKER 28MAY92	TE Connectivity
mm	0. PLC ± -	CHK R. SWING 28MAY92	NAME
	1. PLC ± -	APVD D. SELF 02JUN92	CAP.12 CIRCUIT, UNIVERSAL MATE-N-LOK™
	2. PLC ± 0.13	PRODUCT SPEC	SIZE
	3. PLC ± -	APPLICATION SPEC	CAGE CODE
	4. PLC ± -	WEIGHT	DRAWING NO
	ANGLES ± 1°	A1 00779	350783
MATERIAL NYLON,UL 94V-0	FINISH -	CUSTOMER DRAWING	RESTRICTED TO
		SCALE 4:1	SHEET 1 OF 1
			REV U2