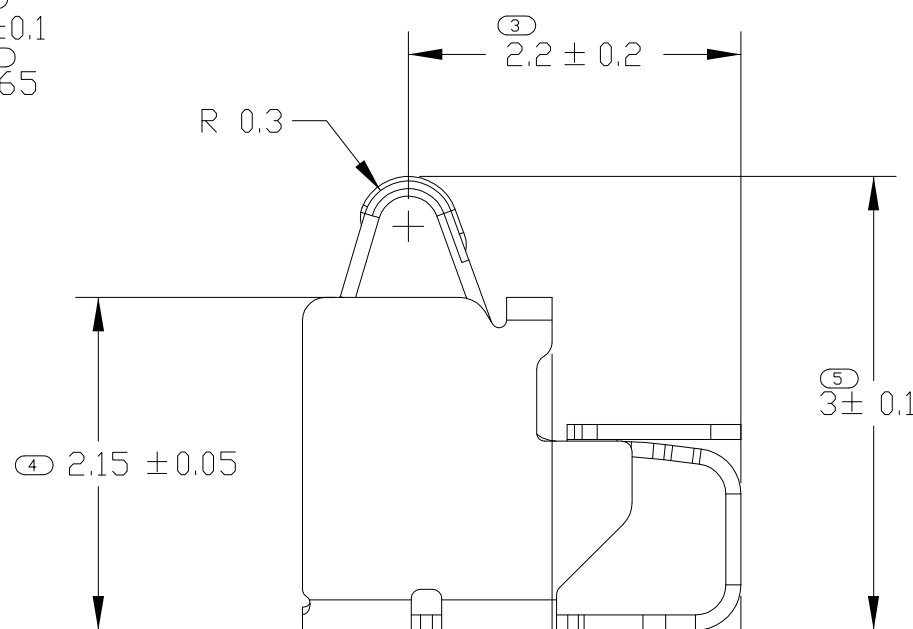
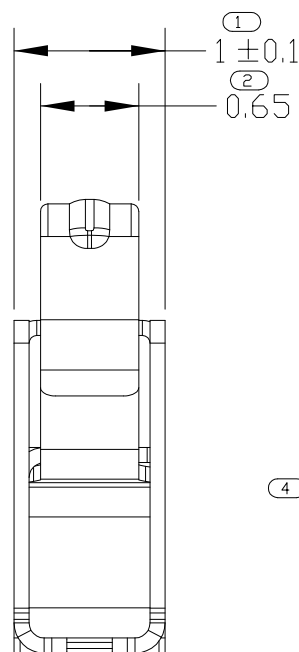
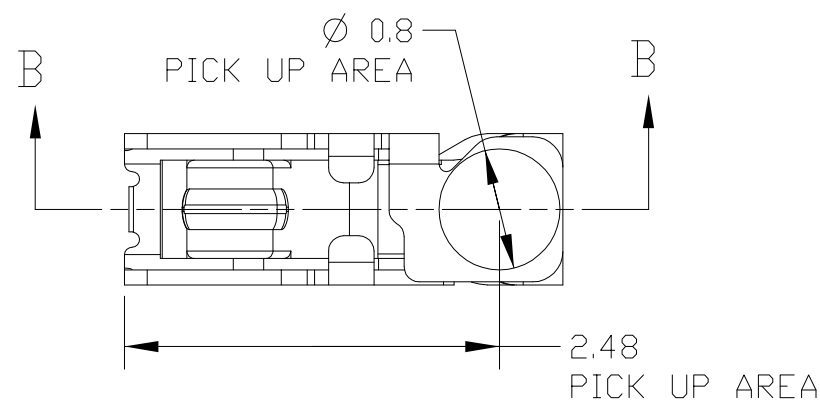
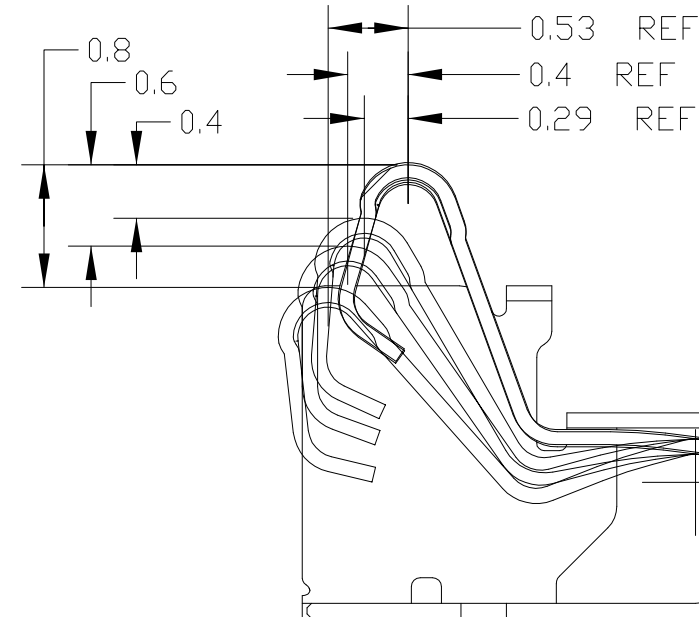


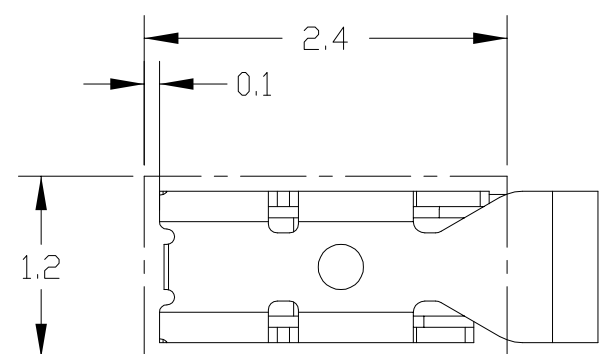
LOC	DIST	REVISIONS					
		P	LTR	DESCRIPTION	DATE	DWN	APVD
-	-		B	REVISED	05JUNE2013	IC.K	JH.K
			C	REVISED	10JUNE2013	IC.K	JH.K
			C1	REVISED	25FEB2014	IC.K	JH.K
			C2	REVISED	06FEB2015	IC.K	JH.K



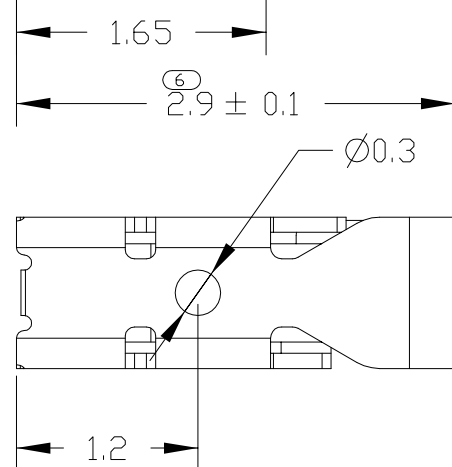
AS SHOWN  
 ① 2108609-5/6  
 ② 2-2108609-6



SECTION B-B  
 STROKE CONDITION(REFERENCE)



RECOMMENDED PCB LAYOUT  
 (REFERENCE)



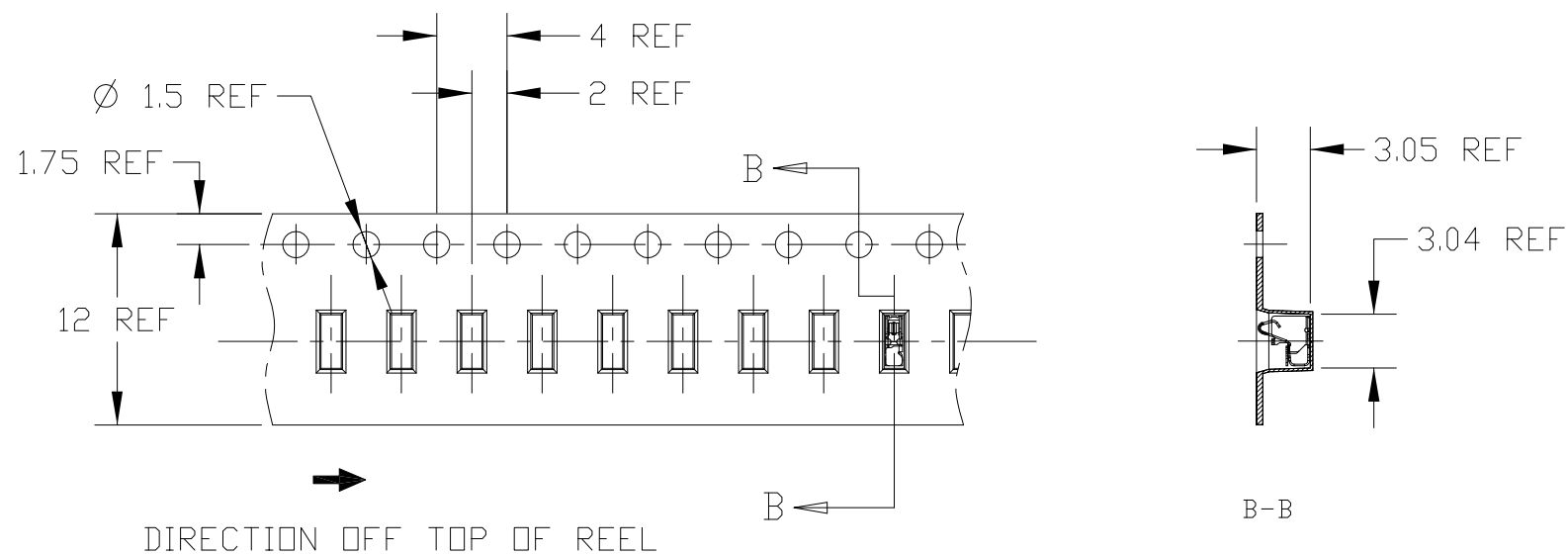
- ① MATERIAL: TICU(COPPER ALLOY), THK.= 0.1
- ② FINISH: Ni UNDER PLATING ALL OVER 0.8~3.0um  
 CONTACT PLATING: Au 0.1~0.4um  
 SOLDER PLATING: Au 0.05~0.35um
- ③ CUTTING BURR: 0.05mm MAX.
- ④ F/G SHOULD BE SEPARATED BASED ON THE CUSTOMER'S PART NUMBER AS BELOW TABLE

NO	PART NUMBER	CUSTOMER PART NUMBER	PRODUCT SPEC
1	2108609-5	MBV62562101	108-61190
2	2108609-6	EAG63651901	
3	2-2108609-6	-	108-61255

THIS DRAWING IS A CONTROLLED DOCUMENT.		DWN IC KANG 09APR2013	TE Connectivity	
DIMENSIONS: mm		CHK JH KIM 09APR2013		
TOLERANCES UNLESS OTHERWISE SPECIFIED: ± 0.15		APVD JH KIM 09APR2013	NAME	
0-PLC ± 1-PLC ±0.5 2-PLC ±0.13 3-PLC ±0.013 4-PLC ±0.0001 ANGLES ±		PRODUCT SPEC SEE TABLE ④	SPRING FINGER 3.0H	
MATERIAL ①		APPLICATION SPEC	SIZE	RESTRICTED TO
FINISH ②		WEIGHT -	CAGE CODE A300779	DRAWING NO C-2108609
		CUSTOMER DRAWING	SCALE 20:1	SHEET 1 OF 3 REV C2

LOC	DIST	REVISIONS					
		P	LTR	DESCRIPTION	DATE	DWN	APVD
-	-			SEE SHEET 1			

# ① 4 <2108609-5 : FOR MBV62562101>



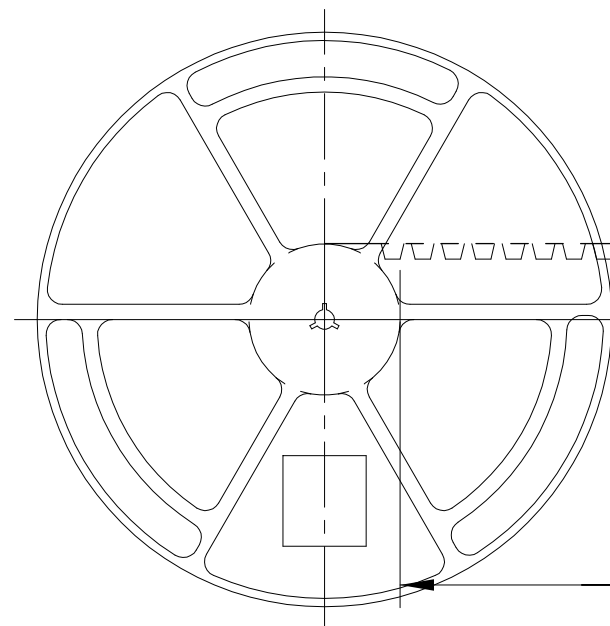
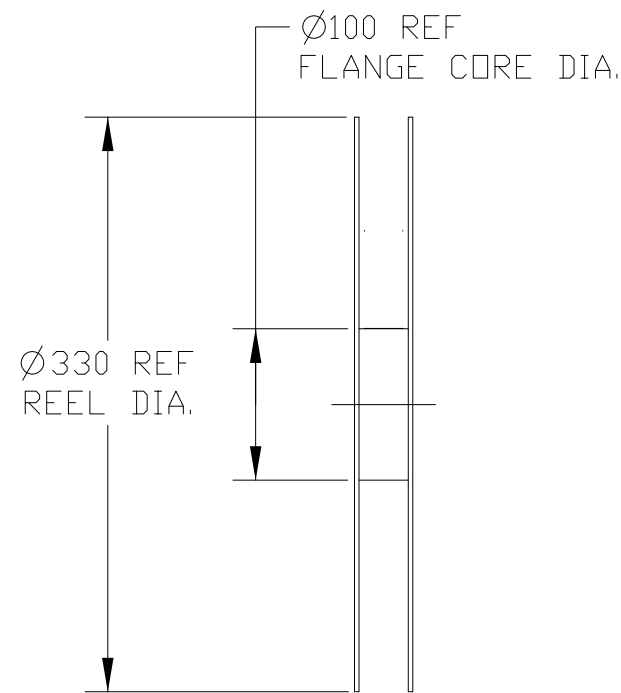
①

TE  
 MBV62562101-YYYYMMDD-\*\*\*\*\*-HK000120  
 SPEC: 3.0H SPRING FINGER WITH EMBOSS  
 Company Name: TE CONNECTIVITY  
 Tyco Part Number : 2108609-5

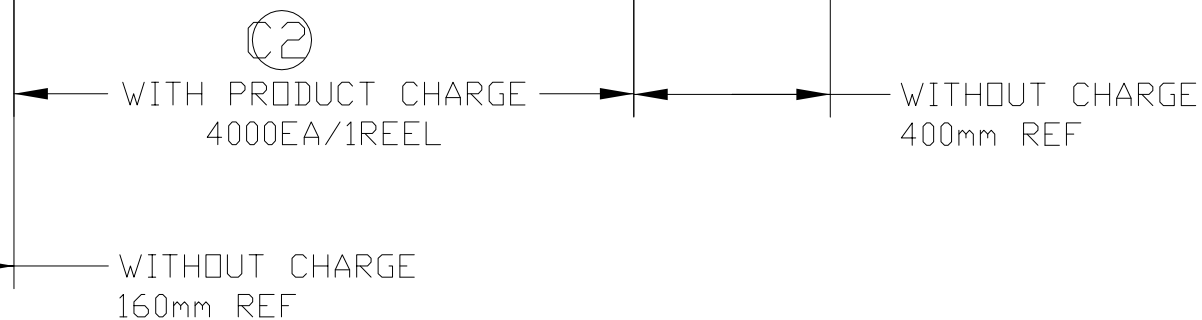
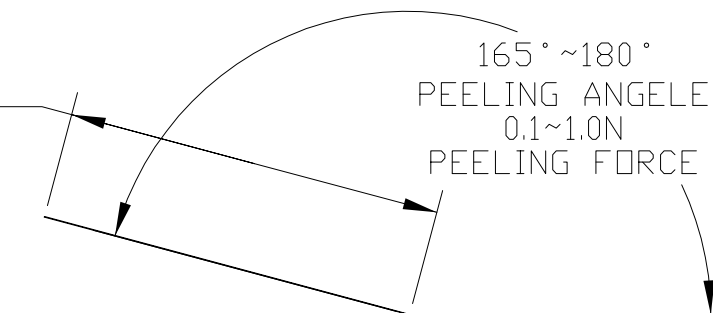
**RoHS H/F**

100 (width)  
70 (height)

- 1. LG PART NO.
- 2. FINAL INSPECTION(YYYMMDD)
- 3. VENDOR PRODUCTION LOT NO.
- 4. VENDOR CODE



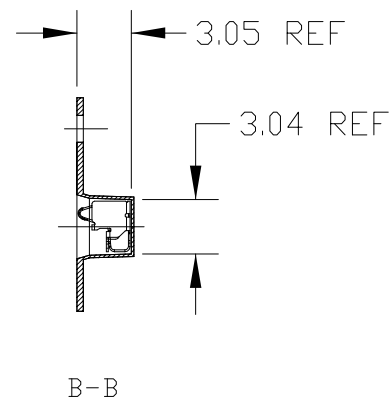
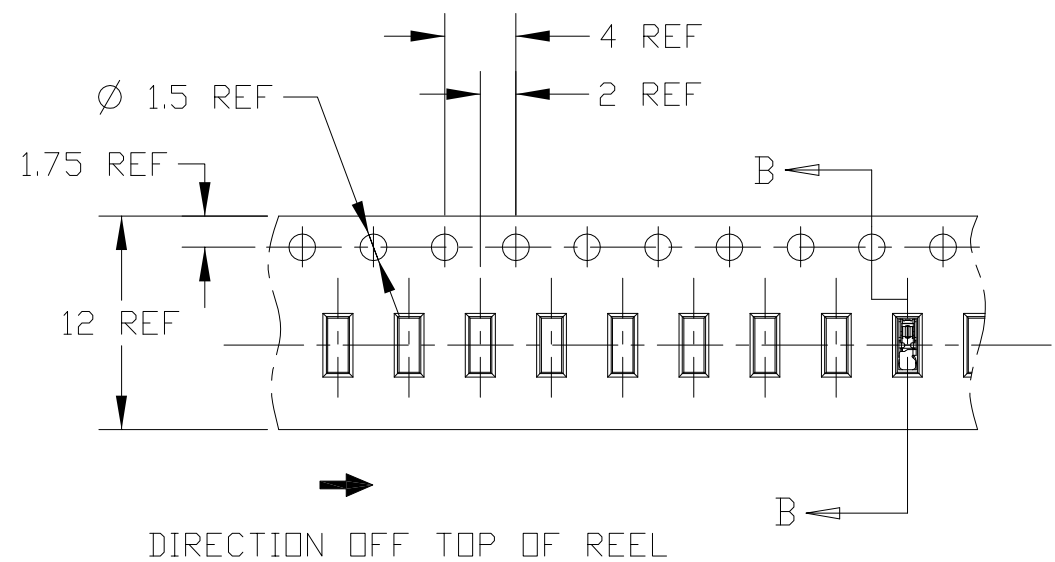
WEEDING THE COVER TAPE, AROUND THE OUTER PERIPHERY IN A TURN



THIS DRAWING IS A CONTROLLED DOCUMENT.		DWN	JH GONG	08FEB2013	 TE Connectivity	NAME		SPRING FINGER 3.0H		
DIMENSIONS: mm		CHK	JH KIM	08FEB2013		PRODUCT SPEC		SIZE	CAGE CODE	DRAWING NO
TOLERANCES UNLESS OTHERWISE SPECIFIED: ±0.15		APVD	JH KIM	08FEB2013		APPLICATION SPEC		A3	00779	©=2108609
0-PLC ± 1-PLC ±0.5 2-PLC ±0.13 3-PLC ±0.013 4-PLC ±0.0001 ANGLES ± FINISH -		PRODUCT SPEC		108-XXXXX		RESTRICTED TO		-		
MATERIAL -		WEIGHT -		CUSTOMER DRAWING		SCALE 20:1		SHEET 2 OF 3		
								REV C2		


P	LTR	DESCRIPTION	DATE	DWN	APVD
		SEE SHEET 1			

# ① 4 <2108609-6 : FOR EAG63651901>



①

**TE**



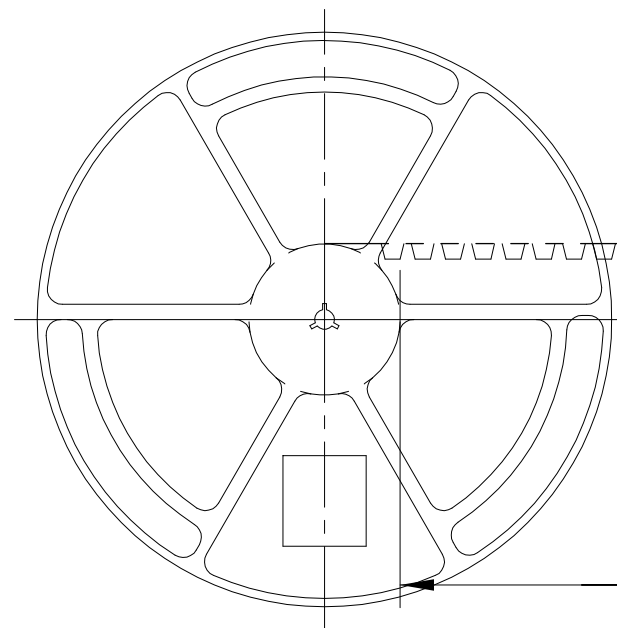
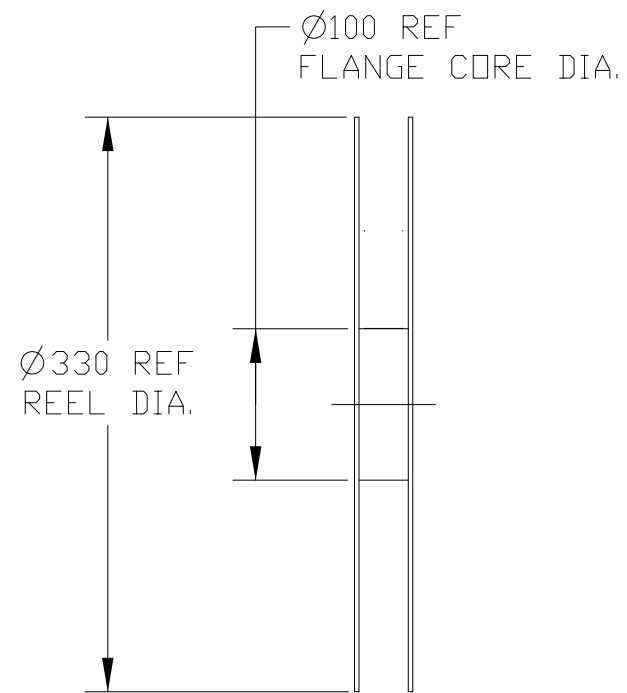
EAG63651901-YYYYMMDD-\*\*\*\*\*-HK000120

SPEC: 3.0H SPRING FINGER WITH EMBOSS

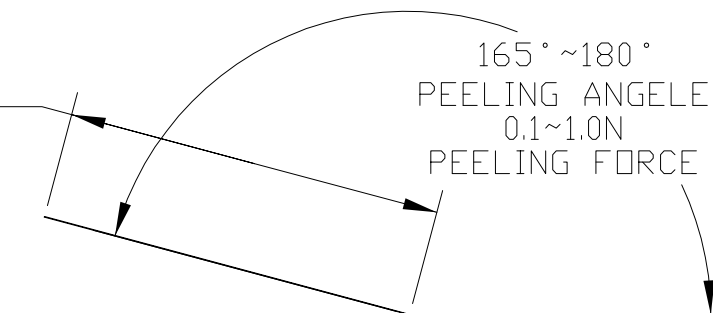
Company Name: TE CONNECTIVITY  
Tyco Part Number : 2108609-5

RoHS
H/F

- 1. LG PART NO.
- 2. FINAL INSPECTION(YYYMMDD)
- 3. VENDOR PRODUCTION LOT NO.
- 4. VENDOR CODE



WEEDING THE COVER TAPE,  
AROUND THE OUTER PERIPHERY IN  
A TURN


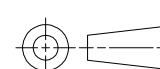


WITH PRODUCT CHARGE  
4000EA/1REEL

WITHOUT CHARGE  
400mm REF

WITHOUT CHARGE  
160mm REF

13.4  
19.4  
REEL WIDTH

THIS DRAWING IS A CONTROLLED DOCUMENT.		DWN JH GONG 08FEB2013		 <b>TE Connectivity</b>			
DIMENSIONS: mm 		CHK JH KIM 08FEB2013				NAME	
		APVD JH KIM 08FEB2013					
TOLERANCES UNLESS OTHERWISE SPECIFIED: ± 0.15 0-PLC ± 1-PLC ±0.5 2-PLC ±0.13 3-PLC ±0.013 4-PLC ±0.0001 ANGLES ± FINISH -		PRODUCT SPEC 108-XXXXX				SPRING FINGER 3.0H	
		APPLICATION SPEC					
MATERIAL -		WEIGHT -		SIZE A3	CAGE CODE 00779	DRAWING NO C=2108609	RESTRICTED TO -
CUSTOMER DRAWING				SCALE 20:1	SHEET 3 OF 3	REV C2	