

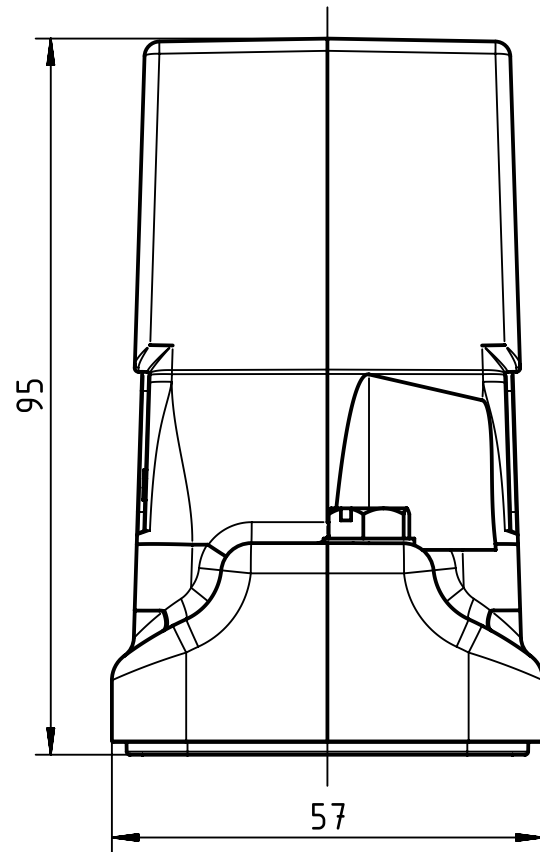
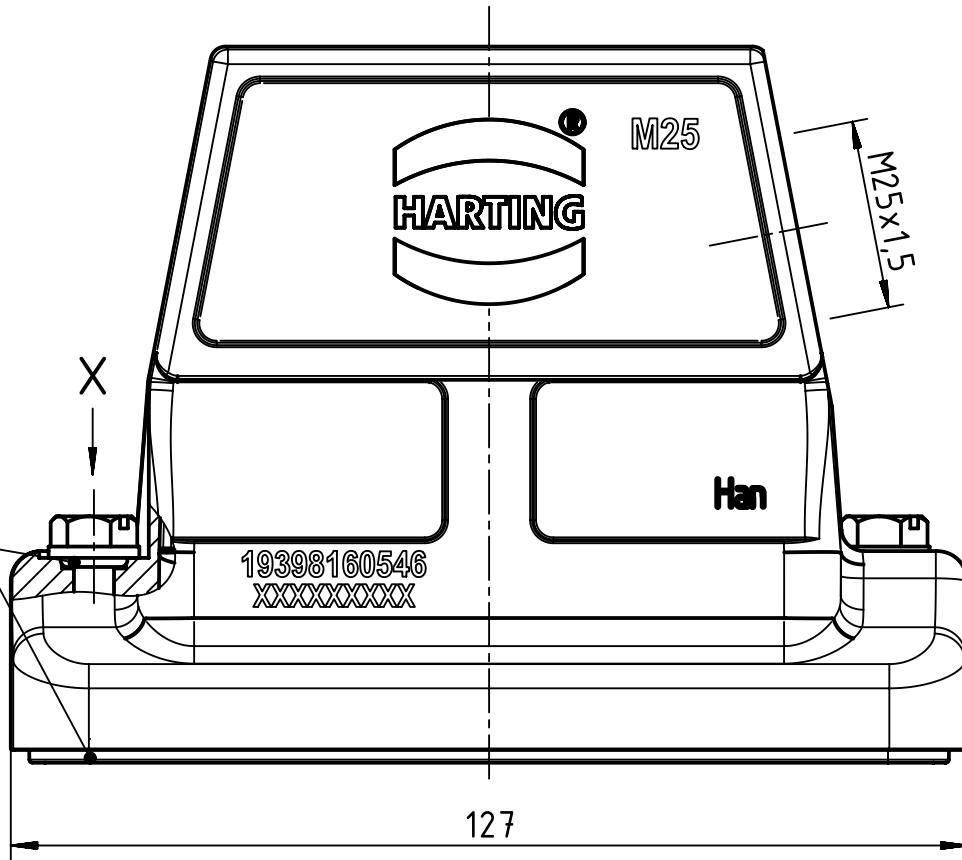
A

B

C

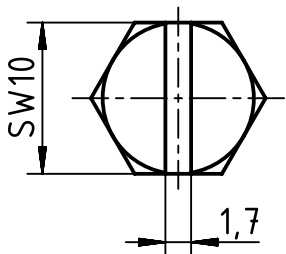
D

1 2 3 4 5 6

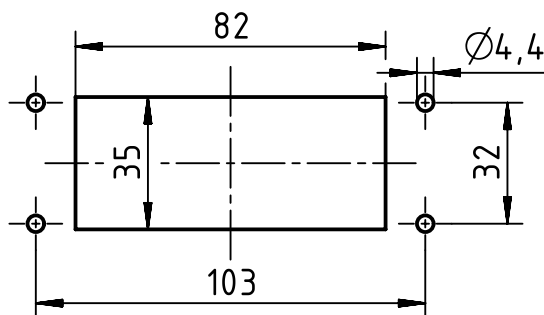


X (2:1)

Seal



Panel cut out (1:2)



	All Dimensions in mm Original Size DIN A4		Scale 1:1	Free size tol.		Ref.
	All rights reserved Department EL PD - CN		Created by LONGL	Inspected by WENE	Standardisation SCHMIDTM	Sub.
HARTING (Zhuhai) Manufacturing Co., Ltd. 519085 Zhuhai, China			Title Han 16HP Direct/EMV-HSE-M25			Date 2017-03-20
			Number 19 39 816 0546		State Final Release	Doc-Key / ECM-Nr. 100665332/UGD/003/C 500000116966
			Type TB			Rev. C
					Page 1/1	