

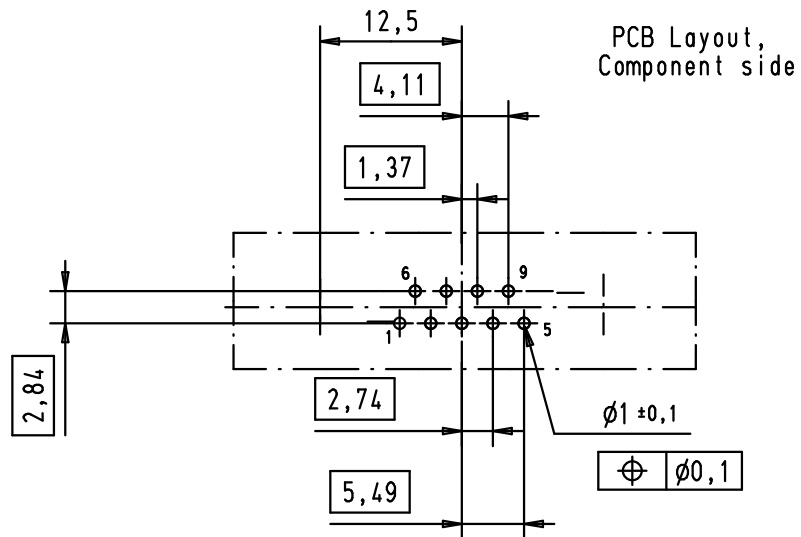
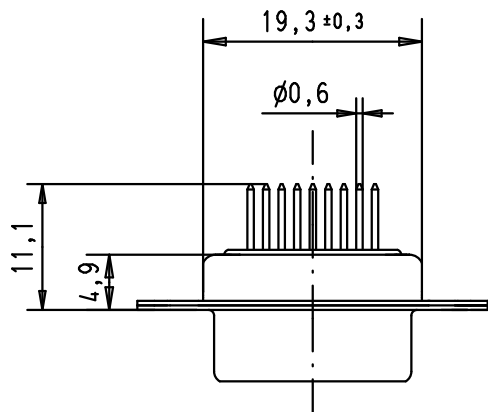
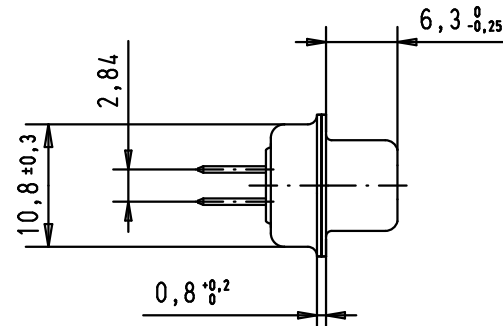
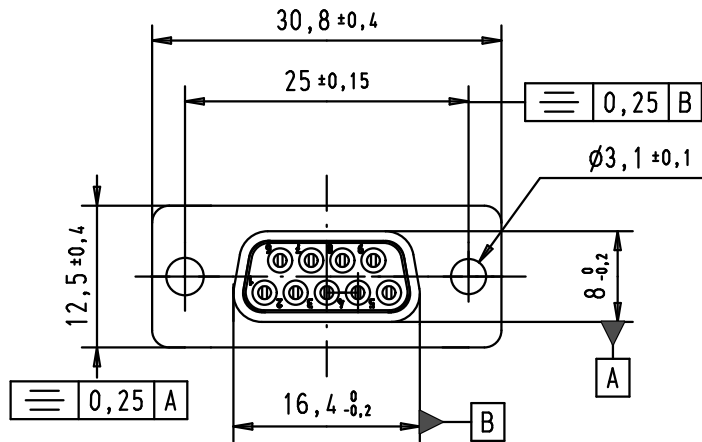
5

4

3

2

1

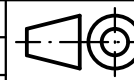


SPECIFICATION

| | |
|-----------------------|--------------|
| Performance level | PL2 |
| Filter type | C |
| Capacitance | 1000pf ± 20% |
| Working Voltage | 100v |
| Current Rating | 7.5A |
| Insulation Resistance | >1GΩ |

| FREQUENCY (MHz) | ATTENUATION (dB) |
|-----------------|------------------|
| 5 | 1dB |
| 10 | 3dB |
| 50 | 12dB |
| 100 | 20dB |
| 500 | 34dB |
| 1000 | 30dB |

| Mod. | Dat. | Name | Detail. | Dat. | Name |
|-------|----------|------|---------|----------|------|
| | | | | | |
| | | | | | |
| 36283 | 09/12/11 | SD | Insp. | 09/12/11 | JB |
| 33231 | 07/10/05 | JMDR | Stand. | | |
| 32234 | 05/10/04 | TR | | | |
| 31058 | 8-JUL-02 | CV | | | |
| | | | | | |



All Dim. in mm
Orig. Size DIN A 4

D-Sub, female, straight,
9 Poles, solder pins,
fixing holes

Ma?Mstab/
Scale

1.5:1

HARTING EURL
F-95972 Paris



Sub.

TB 09641127230

Blatt/ Page

1 / 1