

THE INFORMATION CONTAINED HEREIN IS CONSIDERED "PROPRIETARY" TO BEL FUSE INC. AND SHALL NOT BE COPIED, REPRODUCED OR DISCLOSED WITHOUT THE WRITTEN APPROVAL OF BEL FUSE INC.

| LED1 POLARITY |        |        | LED2 POLARITY |        |        |
|---------------|--------|--------|---------------|--------|--------|
| PIN 13        | PIN 14 | COLOR  | PIN 15        | PIN 16 | COLOR  |
| -             | +      | YELLOW | -             | +      | GREEN  |
|               |        |        | +             | -      | ORANGE |



ELECTRICAL CHARACTERISTICS @ 25°C

URNS RATIO

|     |               |
|-----|---------------|
| TP1 | 1CT : 1CT ±2% |
| TP2 | 1CT : 1CT ±2% |
| TP3 | 1CT : 1CT ±2% |
| TP4 | 1CT : 1CT ±2% |

CL @ 100kHz/100mVRMS

|             |            |
|-------------|------------|
| 8mA DC BIAS | 350µH MIN. |
|-------------|------------|

INS. LOSS

|                  |             |
|------------------|-------------|
| 0.1MHz TO 1MHz   | -1.1 dB MAX |
| 1MHz TO 65MHz    | -0.5 dB MAX |
| 65MHz TO 100MHz  | -0.8 dB MAX |
| 100MHz TO 125MHz | -1.2 dB MAX |

RET. LOSS (MIN)

|              |                       |
|--------------|-----------------------|
| 0.5MHz-40MHz | -18 dB                |
| 40MHz-100MHz | -12+20LOG(f/80MHz) dB |

CM TO CM REJ

|                 |            |
|-----------------|------------|
| 100kHz - 100MHz | -30 dB MIN |
|-----------------|------------|

CM TO DM REJ

|                 |            |
|-----------------|------------|
| 100kHz - 100MHz | -35 dB MIN |
|-----------------|------------|

HIPOT (Isolation Voltage):

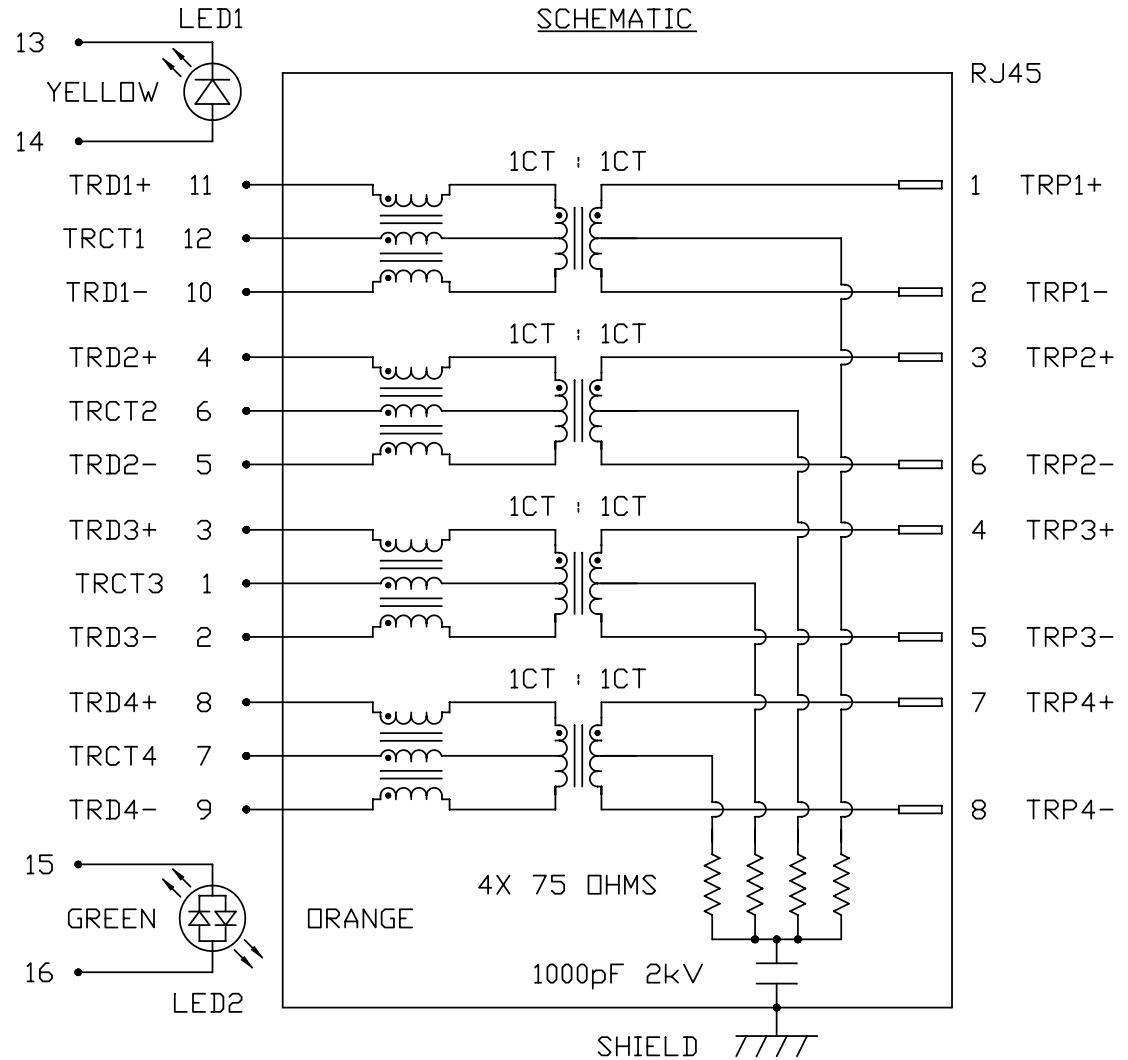
1500 Vrms or 2250VDC

LED 1

|                          |         |        |            |
|--------------------------|---------|--------|------------|
| VF (FORWARD VOLTAGE)     | IF=20mA | YELLOW | 2.1V TYP.  |
| λD (DOMINANT WAVELENGTH) | IF=20mA | YELLOW | 590nm TYP. |

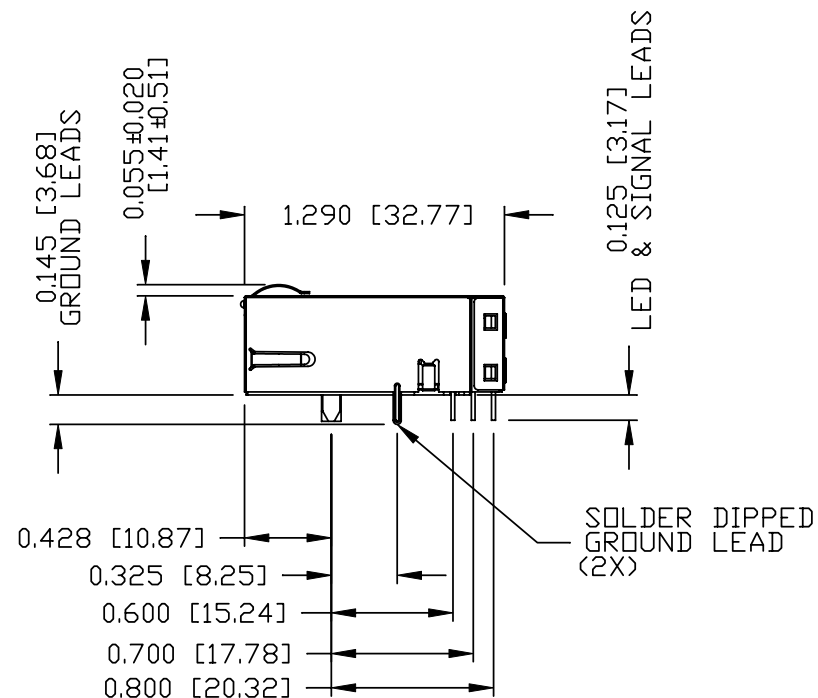
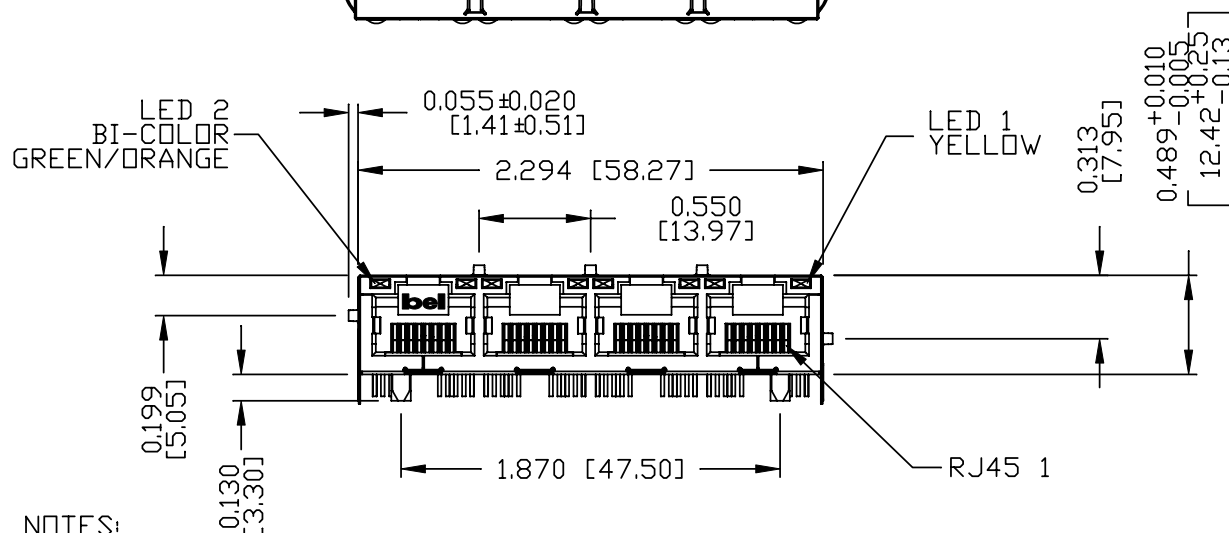
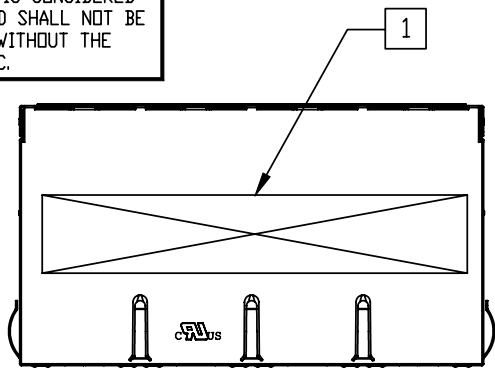
LED 2

|                          |         |        |            |
|--------------------------|---------|--------|------------|
| VF (FORWARD VOLTAGE)     | IF=20mA | GREEN  | 2.2V TYP.  |
|                          |         | ORANGE | 2.0V TYP.  |
| λD (DOMINANT WAVELENGTH) | IF=20mA | GREEN  | 565nm TYP. |
|                          |         | ORANGE | 610nm TYP. |



| ORIGINATED BY | DATE     | TITLE                                     | PART NO. / DRAWING NO. | STANDARD DIM. TOL. IN INCH | [ ] METRIC DIM. AS REFERENCE | <br>COMPONENTS FOR A CONNECTED PLANET |           |
|---------------|----------|---|------------------------|----------------------------|------------------------------|---------------------------------------|-----------|
| CHOW WANCHUNG | 05-28-10 | 1X4 gigabit MagJack®<br>(8 cores, Tab Up) | L8261X4T43-F           | .X                         | UNIT : INCH [mm]             |                                       | REV. : C  |
| DRAWN BY      | DATE     |   |                        | .XX                        | SCALE : N/A                  |                                       | SIZE : A4 |
| LEE WEIDE     | 05-28-10 | L826-1X4T-43-F                            | L8261X4T43-F_C.DWG     | .XXX                       |                              | PAGE : 2                              |           |

THE INFORMATION CONTAINED HEREIN IS CONSIDERED "PROPRIETARY" TO BEL FUSE INC. AND SHALL NOT BE COPIED, REPRODUCED OR DISCLOSED WITHOUT THE WRITTEN APPROVAL OF BEL FUSE INC.



NOTES:

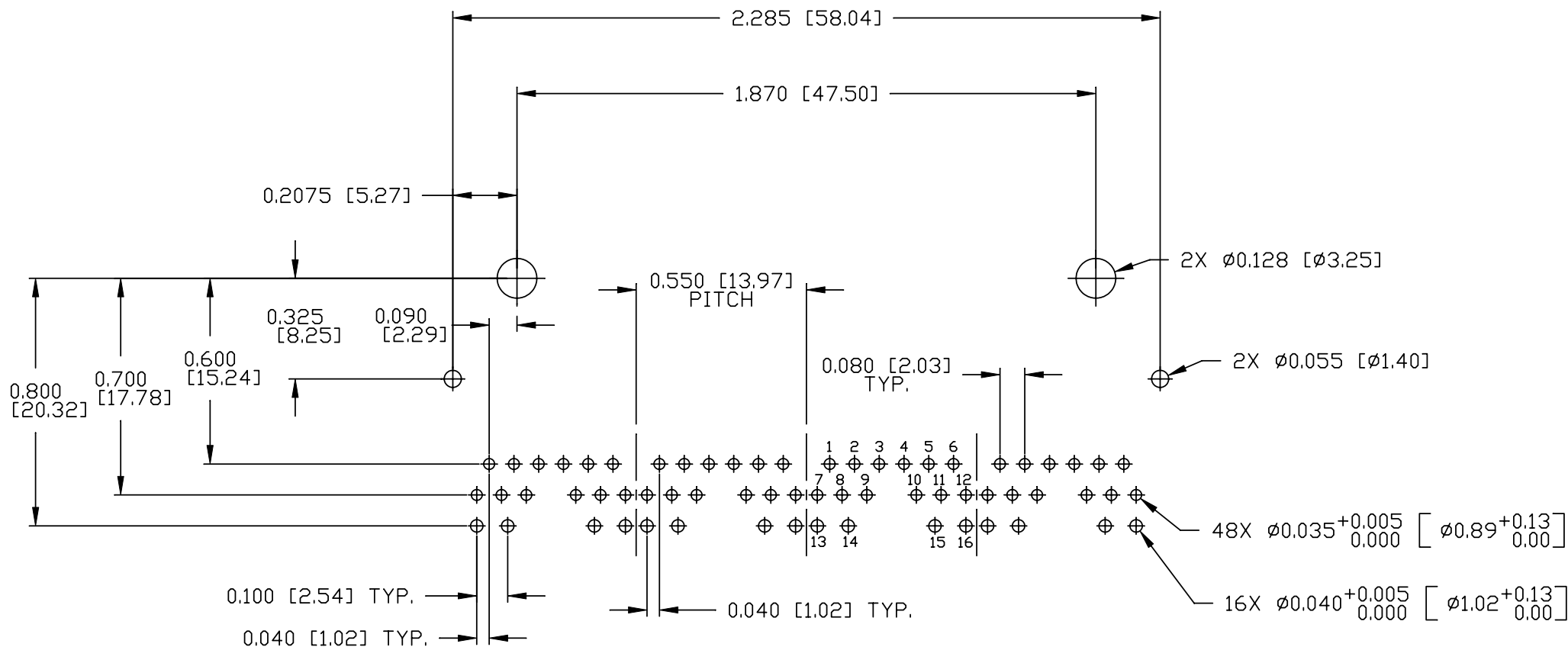
- PLASTIC HOUSING: THERMOPLASTIC PBT  
FLAMMABILITY RATING UL 94V-0
- CONTACTS PLATING: 50 MICRO-INCH HARD GOLD PLATING
- PINS: TIN-COATED COPPER WIRE, DIA 0.018 INCH.
- METAL SHIELD: NICKEL PLATED ON COPPER ALLOY.  
(ALL GROUND LEADS ARE SOLDER DIPPING)

- 1. MARK PART WITH MFG LOGO, MFG NAME, PART NUMBER, DATE CODE AND PATENTED. JACK CAVITY CONFORMS TO FCC RULES AND REGULATIONS.
  - 2. THE PRODUCT IS PATENT PRODUCT. THE PATENT NUMBER ARE U.S. PAT. 5,736,910 AND U.S. PAT. 7,123,117.
- UL RECOGNIZED - FILE #E196366 AND E169987.  
RoHS COMPLIANCE, PER EU DIRECTIVE 2002/95/EC.

|                             |                  |  |  |  |                            |        |                              |           |                                       |
|-----------------------------|------------------|--|--|--|----------------------------|--------|------------------------------|-----------|---------------------------------------|
| ORIGINATED BY<br>ANTON LIAO | DATE<br>05-28-10 | TITLE<br>1X4 gigabit MagJack®<br>(8 cores, Tab Up)<br>L826-1X4T-43-F | PART NO. / DRAWING NO.<br>L8261X4T43-F |  | STANDARD DIM. TOL. IN INCH |        | [ ] METRIC DIM. AS REFERENCE |           | <br>COMPONENTS FOR A CONNECTED PLANET |
|                             |                  |  | FILE NAME<br>L8261X4T43-F_C.DWG        |  | .X                         |        | UNIT : INCH [mm]             | REV. : C  |                                       |
| DRAWN BY<br>SHAWN FENG      | DATE<br>05-28-10 |  |  |  | .XX                        |        | SCALE : N/A                  | SIZE : A4 |                                       |
|                             |                  |  |  |  | .XXX                       | ±0.010 |                              | PAGE : 3  |                                       |

THE INFORMATION CONTAINED HEREIN IS CONSIDERED "PROPRIETARY" TO BEL FUSE INC. AND SHALL NOT BE COPIED, REPRODUCED OR DISCLOSED WITHOUT THE WRITTEN APPROVAL OF BEL FUSE INC.

RoHS  
2002/95/EC



RECOMMENDED PCB FOOTPRINT  
(COMPONENT SIDE VIEW)

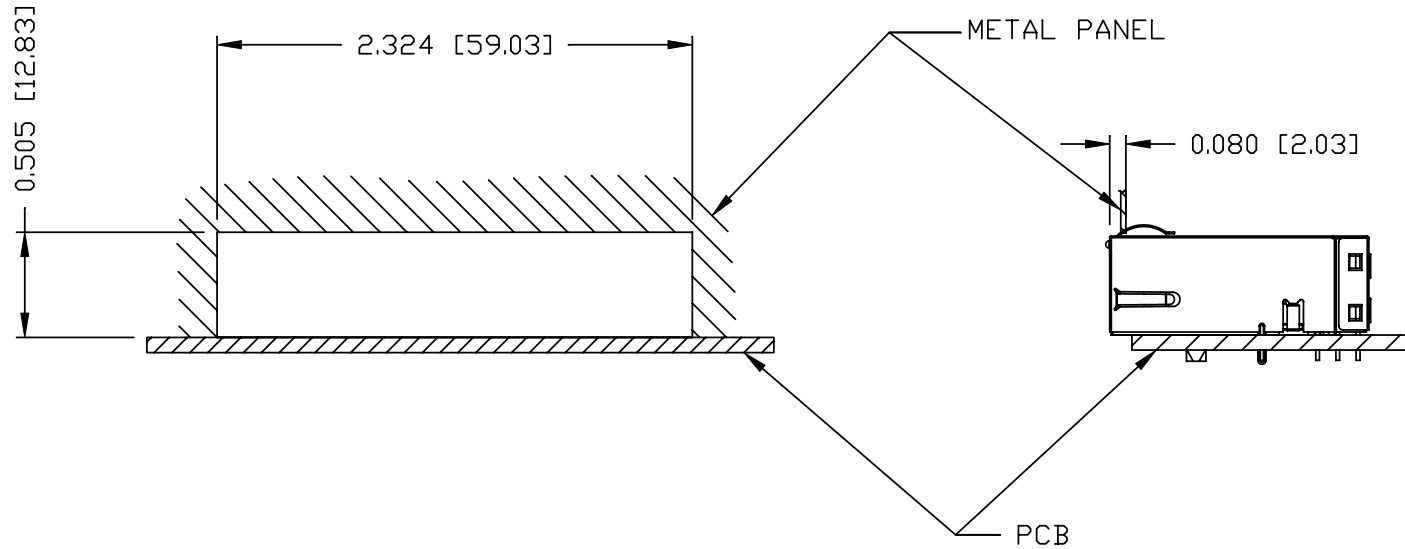
|                             |                  |  |  |  |                            |        |                              |           |                                       |
|-----------------------------|------------------|--|--|--|----------------------------|--------|------------------------------|-----------|---------------------------------------|
| ORIGINATED BY<br>ANTON LIAO | DATE<br>05-28-10 | TITLE<br>1X4 gigabit MagJack®<br>(8 cores, Tab Up)<br>L826-1X4T-43-F | PART NO. / DRAWING NO.<br>L8261X4T43-F |  | STANDARD DIM. TOL. IN INCH |        | [ ] METRIC DIM. AS REFERENCE |           | <br>COMPONENTS FOR A CONNECTED PLANET |
|                             |                  |  | FILE NAME<br>L8261X4T43-F_C.DWG        |  | .X                         |        | UNIT : INCH [mm]             | REV. : C  |                                       |
| DRAWN BY<br>SHAWN FENG      | DATE<br>05-28-10 |  |  |  | .XX                        |        | SCALE : N/A                  | SIZE : A4 | PAGE : 4                              |
|                             |                  |  |  |  | .XXX                       | ±0.004 |                              |           |                                       |

THE INFORMATION CONTAINED HEREIN IS CONSIDERED "PROPRIETARY" TO BEL FUSE INC. AND SHALL NOT BE COPIED, REPRODUCED OR DISCLOSED WITHOUT THE WRITTEN APPROVAL OF BEL FUSE INC.

RoHS  
2002/95/EC



SUGGESTED PANEL OPENING



NOTE:

THE DISTANCE OF PANEL INSIDE SURFACE RELATIVE TO FRONT SURFACE OF PART IS ONLY A SUGGESTION. IN CASE THIS DISTANCE IS DIFFERENT, THE REQUIRED PANEL OPENING DIMENSIONS CHANGE ACCORDINGLY.

PACKING INFORMATION

PACKING TRAY: 0200-9999-D3 (TOP)  
0200-9999-B5 (BOTTOM)

PACKING QUANTITY: 24 PCS FINISHED GOODS PER TRAY  
10 TRAYS (240PCS FINISHED GOODS) PER CARTON BOX

REMARK: CARDBOARDS ARE PLACED BETWEEN LAYERS OF PACKING TRAY INSIDE CARTON BOX  
(INCLUDE THE UPPERMOST AND LOWERMOST TRAY)

| ORIGINATED BY | DATE     | TITLE   | PART NO. / DRAWING NO. | STANDARD DIM. TOL. IN INCH | [ ] METRIC DIM. AS REFERENCE |
|---------------|----------|---|------------------------|----------------------------|------------------------------|
| ANTON LIAO    | 05-28-10 | 1X4 gigabit MagJack®<br>(8 cores, Tab Up)<br>L826-1X4T-43-F | L8261X4T43-F           | .X                         | UNIT : INCH [mm] REV. : C    |
| DRAWN BY      | DATE     |   |                        | FILE NAME                  | .XX                          |
| SHAWN FENG    | 05-28-10 |   | L8261X4T43-F_C.DWG     | .XXX ±0.004                | ⊕ - - - PAGE : 5             |

