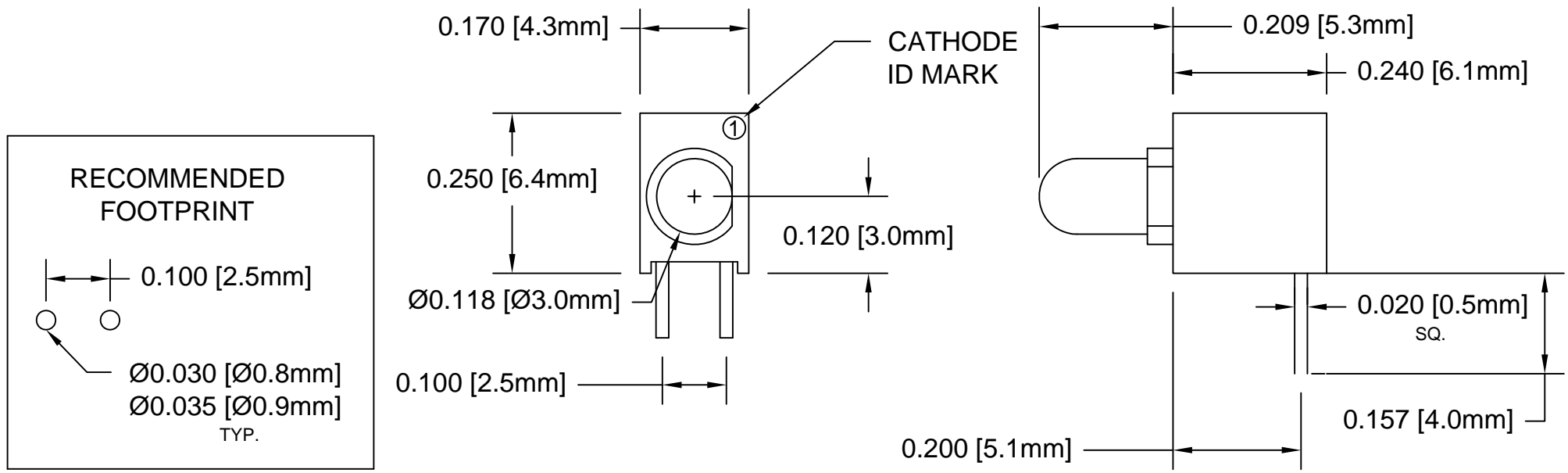


ITEM	Q'TY	PART NUMBER	PART DESCRIPTION
1	1	H-131C-1-120	90° T-1 (3mm) HOLDER
2	1	3SRC-F	T-1 (3mm) SUPER BRIGHT LED, RED

REV	DESCRIPTION	DATE	APPROVED
A	Engineering Release	12/13/02	M. C.
B	Added Lead Cut Length	06/12/07	M. C.
C	Engineering Update w/o Changes	06/20/16	J. C.



LED Part No.	Chip			Lens Appearance	Absolute Max. Ratings				Electro-Optical Data @ 20mA			Viewing Angle (Deg)
	Material	Peak Wave Length λ_p (nm)	Emitted Color		$\Delta\lambda$ (nm)	Pd (mW)	If (mA)	Peak If (mA)	Vf (V)		Iv (mcd)	
									TYP	MAX	TYP	
3SRC-F	GaAlAs/GaAs	655	SUPER RED	WATER CLEAR	20	60	20	150	1.7	2.6	250	30

ABSOLUTE MAXIMUM RATINGS (Ta=25°C)

REVERSE VOLTAGE	_____	5V
REVERSE CURRENT (V _R =5V)	_____	100µA
OPERATING TEMPERATURE RANGE	_____	-25°C ~ 85°C
STORAGE TEMPERATURE	_____	-30°C ~ 100°C
LEAD SOLDERING TEMPERATURE(1/16" FROM BODY)	_____	260°C FOR 5 SECONDS

STANDARD TOLERANCE (UNLESS OTHERWISE SPECIFIED)		 4 THOMAS, IRVINE, CA. 92618 TEL: (949) 951-8808 FAX: (949) 951-3974	
DECIMALS	ANGULAR		
.X ±.1	X° ±1°		
.XX ±.02			TITLE: 90° T-1 (3mm) VARIABLE CENTERLINE, EXT. PROFILE
.XXX ±.010			PART NO: H151CSRC-120
DESIGNED: D. Green	DATE: 12/13/02	REVISION: C	
CHECKED: M. Chen	DATE: 12/13/02	CAGE CODE : 32559	SHEET # 1 OF 1
CAD GENERATED DOCUMENT, DO NOT MEASURE DRAWING.			