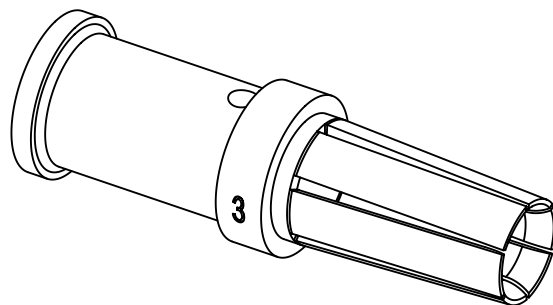



wire gauge: 3mm² / AWG 12
 stripping length: 6,5mm
 coating: silver plated



	All rights reserved		Created by	Inspected by	Standardisation	Date	State	
	Department EL PD - DE		HOLLERT	RIEPE	TIEMANNA	2013-11-28	Final Release	
HARTING Electric GmbH & Co. KG			Title Han-Yellock Crimp contact female 3mm ²				Doc-Key / ECM-Nr. 100189028/UGD/006/E 500000068615	
D-32339 Espelkamp			Type	Number			Rev.	Page
			TB	11 05 000 6207			E	1/1