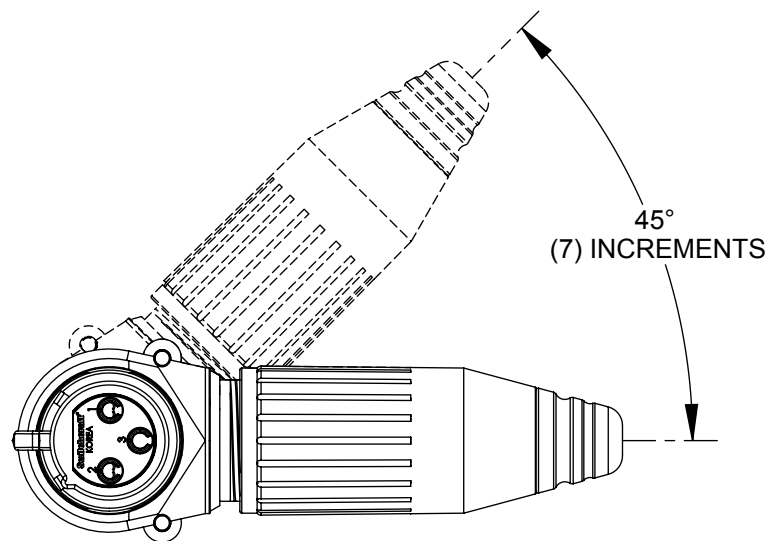
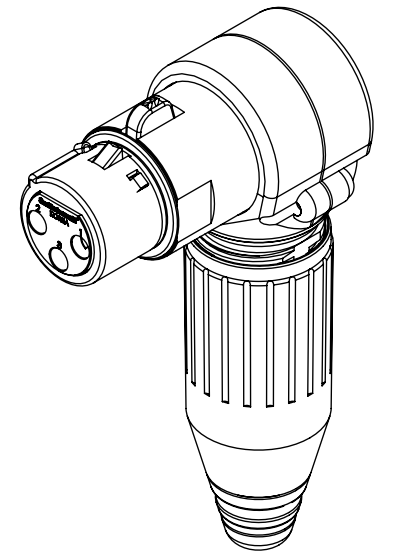
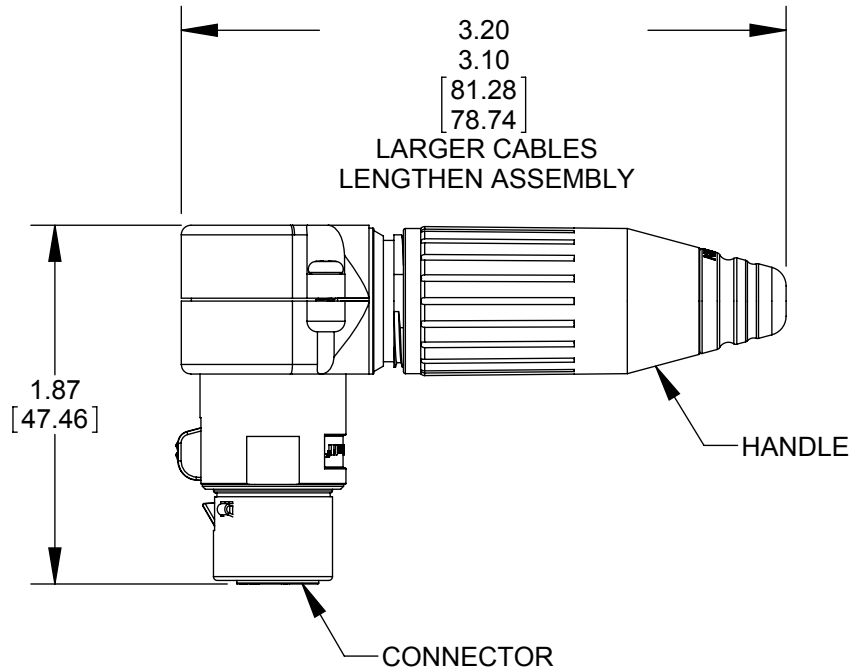
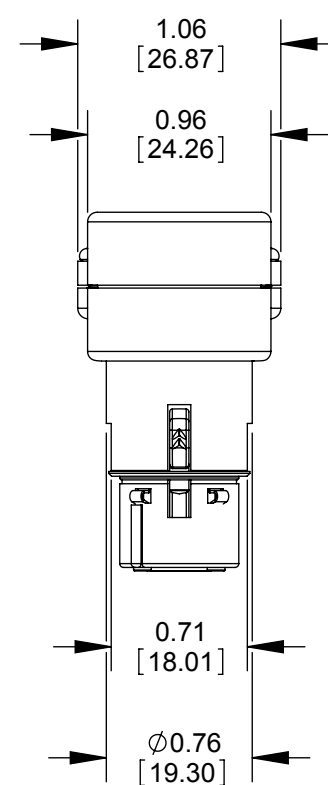


CONTACT ARRANGEMENT
(SHOWN ARE FRONT VIEWS OF FEMALE CONNECTORS)



R3FZ SHOWN

PART NUMBER	CONTACTS		CONNECTOR	HANDLE
	QTY	FINISH		
R3FZ	3	SILVER	NICKEL	NICKEL
R3FBZ	3	SILVER	BLACK	BLACK
R3FBAUZ	3	GOLD	BLACK	BLACK
R4FZ	4	SILVER	NICKEL	NICKEL
R4FBZ	4	SILVER	BLACK	BLACK
R4FBAUZ	4	GOLD	BLACK	BLACK
R5FZ	5	SILVER	NICKEL	NICKEL
R5FBZ	5	SILVER	BLACK	BLACK
R5FBAUZ	5	GOLD	BLACK	BLACK
R6FZ	6	SILVER	NICKEL	NICKEL
R6FBZ	6	SILVER	BLACK	BLACK
R6FBAUZ	6	GOLD	BLACK	BLACK
R7FZ	7	SILVER	NICKEL	NICKEL
R7FBZ	7	SILVER	BLACK	BLACK
R7FBAUZ	7	GOLD	BLACK	BLACK



NOTE:

- HANDLE AND CONNECTOR SHIPPED UNASSEMBLED.
- MATERIALS:
HANDLE, HOUSING, AND LATCH - ZINC ALLOY (SEE TABLE FOR FINISH)
INSULATOR AND FLEX RELIEF - THERMOPLASTIC
SOCKET CONTACTS - COPPER ALLOY (SEE TABLE FOR FINISH)
SCREWS - STEEL, FINISH SAME AS CONNECTOR
- THIS PRODUCT IS RoHS COMPLIANT.

CUSTOMER DRAWING

					★ STAR SYMBOL DENOTES CRITICAL DIMENSION	THIS DRAWING DESCRIBES A DESIGN CONSIDERED PROPRIETARY IN NATURE, DEVELOPED AND MANUFACTURED BY SWITCHCRAFT INC. AND IS RELEASED ON A CONFIDENTIAL BASIS FOR IDENTIFICATION PURPOSES ONLY.					
					UNLESS OTHERWISE SPECIFIED	SIZE	WIDTH	MULT	LBS/M	TEMPER	
					1. ALL DIMENSIONS IN INCHES - TWO PLACE DECIMALS ±0.01 - THREE PLACE DECIMALS ±0.005 - ANGLES ±1° - ALL DIA. CONCENTRIC WITHIN 0.005 T.I.R.	FINISH		MATERIAL			
					2. FEATURES ON THE SAME CENTERLINE MUST BE ALIGNED WITHIN ±0.002	SPEC No.		SPEC No.			
					3. REMOVE ALL BURRS	FIRST USED ON		SCALE 1:1			
C	24636	2-19-04	RS	TJK	DATE DRAWN		BY	CHKD	APVD	Switchcraft [®]	
B	24577	10-27-03	JL	BRH	3-11-03	BRH	BRH	BRH	BRH		
A	24446	8-12-03	JL	BRH	NAME		FEMALE RIGHT ANGLE, RoHS			SHEET 1 OF 1	
REV	ECO NUMBER	DATE	BY	APVD	DO NOT SCALE DRAWING					PART No.	REV
REVISIONS										R_FZ_SERIES	C