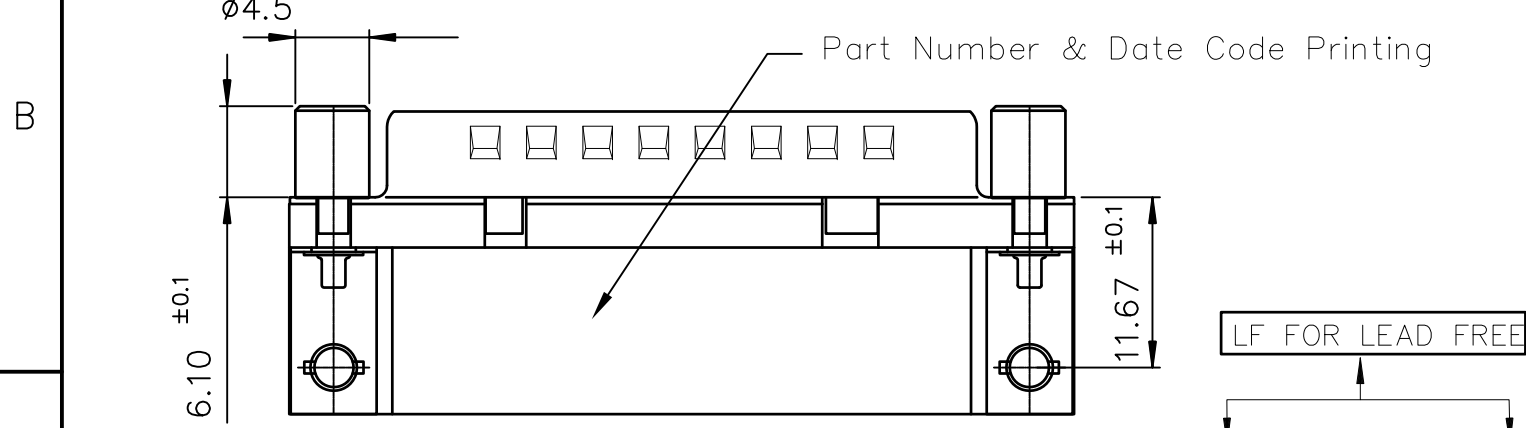
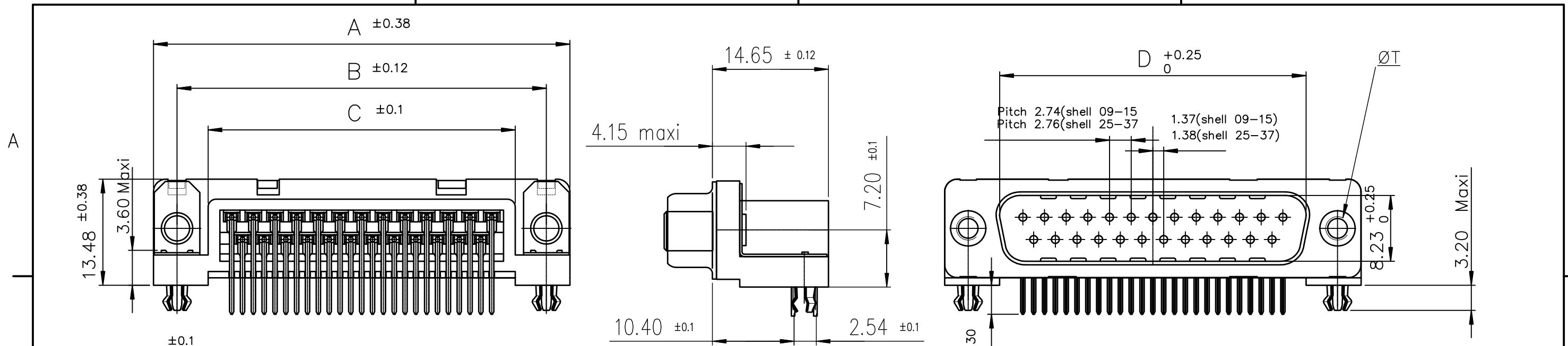


1

2

3

4

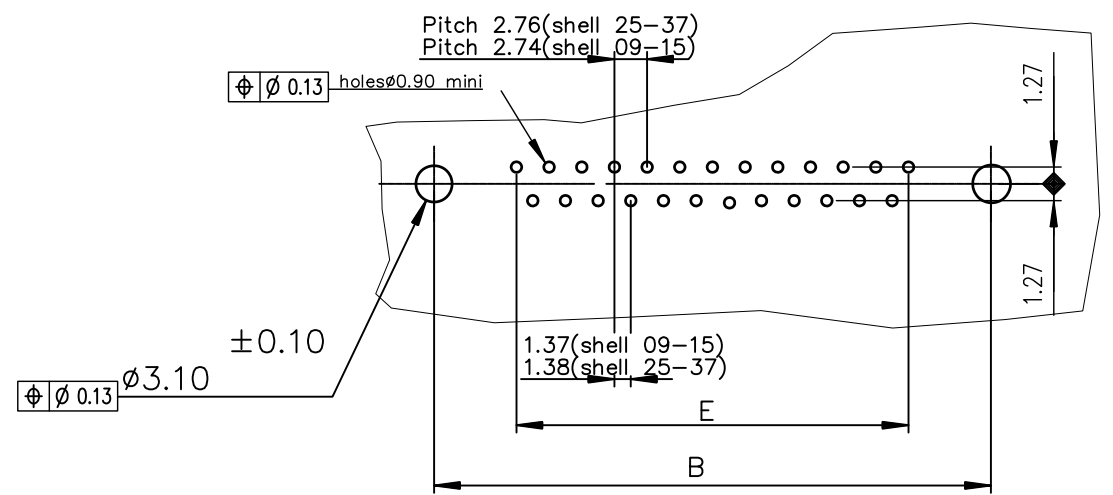


SHELL	A±0.38	B±0.12	C±0.10	D±0.25	E±0.07	G±0.25	PART NUMBER	PART NUMBER
09	30.81	24.99	16.96	16.79	10.96	5.90	D09P13B4G*00**	D09P13B6G*00**
15	39.14	33.32	25.18	25.12	19.18	5.90	D15P13B6G*00**	D15P13B6G*00**
25	53.03	47.04	39.12	38.84	33.12	5.70	D25P13B4G*00**	D25P13B6G*00**
37	69.32	63.50	55.68	55.30	49.68	5.70	D37P13B4G*00**	D37P13B6G*00**
							Gold flash	0,76 » gold

LF FOR LEAD FREE

Threaded ØT M3 = I
 Threaded ØT 4.40 = V

PC card drilling dimensions(after plating)
 (thickness 1.60±0.20mm)



REQUIREMENTS

Technical characteristics:
 Shell: steel tin plated/Zinc Cr3 plated
 Insulators: self-extinguishing thermoplastic, ULclass94V0
 Contacts: brass, gold (for thickness see table) over 2µ mini nickel on active area and flash to 1.5µ maxi SnPb over 1µ mini nickel on termination
 Cycles: 200 for plating 4
 :500 for plating 6

Accessories:

Harpoon: phosphor bronze, tin plated
 Metal plate for electrical continuity: brass, tin/Zinc Cr3 plated
 Screwlock: brass, tin/Zinc Cr3 plated

Electrical characteristics:

max.current rating: 5A
 Test voltage: 1000V
 Rated voltage: 300V
 Contact resistance: ≤25mΩ
 Shell resistance: ≤5mΩ
 Insulation resistance: ≥5000MΩ

Climatic characteristics:

Operating temperature range: -55°C +125°C

Dimensions:

in accordance with MIL-C-24308B and DIN41652

FOR ROHS DETAILS REFER DWG.NO:C01-8646-0000

European Views

www.fciconnect.com			surface ISO 1302 ✓	tolerance std ISO 406 ISO 1101	projection mm
TOLERANCES UNLESS OTHERWISE SPECIFIED					
Dr	JOHN SLEEBA	1994/08/02	ANGULAR	0.X	±0.1
Eng	GEORGE VJ	1994/08/02	LINEAR	0.XX	±0.1
Chr	MITHUN PAUL	2013/07/09	0.XX' ±2	0.XXX	±0.1
Appr	BIJU K PAUL	2013/07/09	Product family		D-SUB
title MALE CONNECT.DELTA D RIGHT ANGLED SCREWLOCK,HARPOON & METAL PLATE					Rev. E
catalog no DELTA-D			dwg no C01-8646-0279		sheet 1 of 1

rev	ecn no	dr	date
C	I05-0124	JS	2005/07/27
D	I06-0074	SK	2006/06/08
E	ELX-I-15169-1	MP	2013/07/09
-	-	-	-
-	-	-	-
-	-	-	-
-	-	-	-



Copyright FCI.