

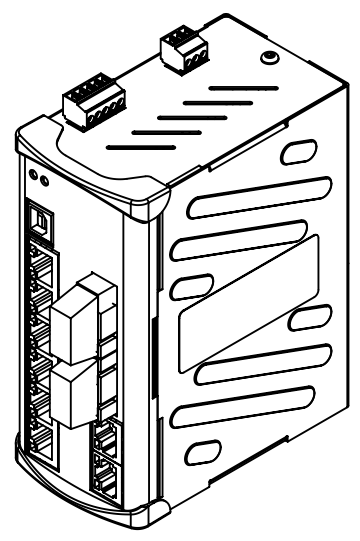
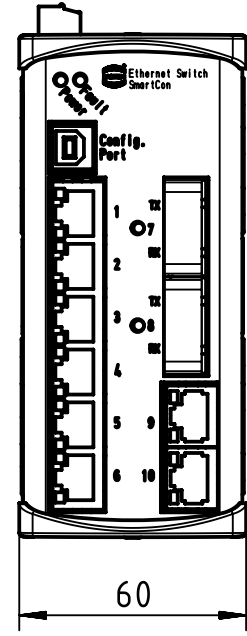
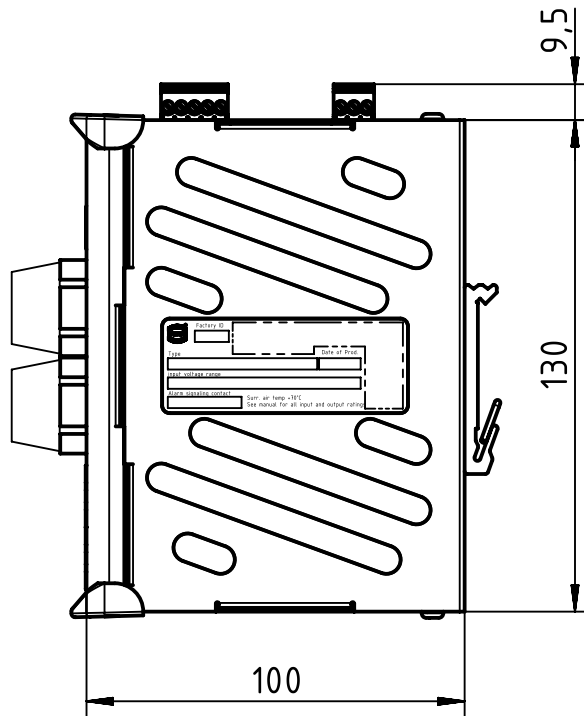
1 2 3 4 5 6

A


B

C

D



for mounting rail acc. to DIN EN 60715

	All Dimensions in mm Original Size DIN A4		Scale 1:2	Free size tol.		Ref. Sub. TB 20 76 110 1100 v. 06.05.09	
	All rights reserved Department EL PD - DE		Created by ILJIN	Inspected by LOETKEMANN	Standardisation TIEMANNA	Date 2013-07-23	State Final Release
HARTING Electric GmbH & Co. KG D-32339 Espelkamp			Title Ha-VIS sCon 3082-AD			Doc-Key / ECM-Nr. 100173198/UGD/004/A 500000064549	
			Type TB	Number 20 76 110 1100		Rev. A	Page 1/1