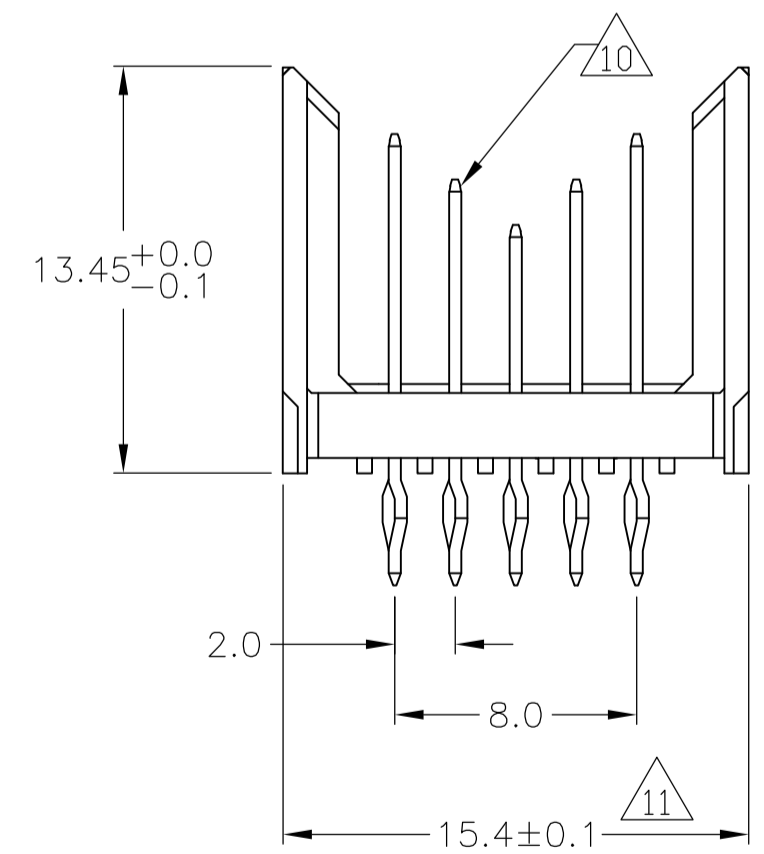
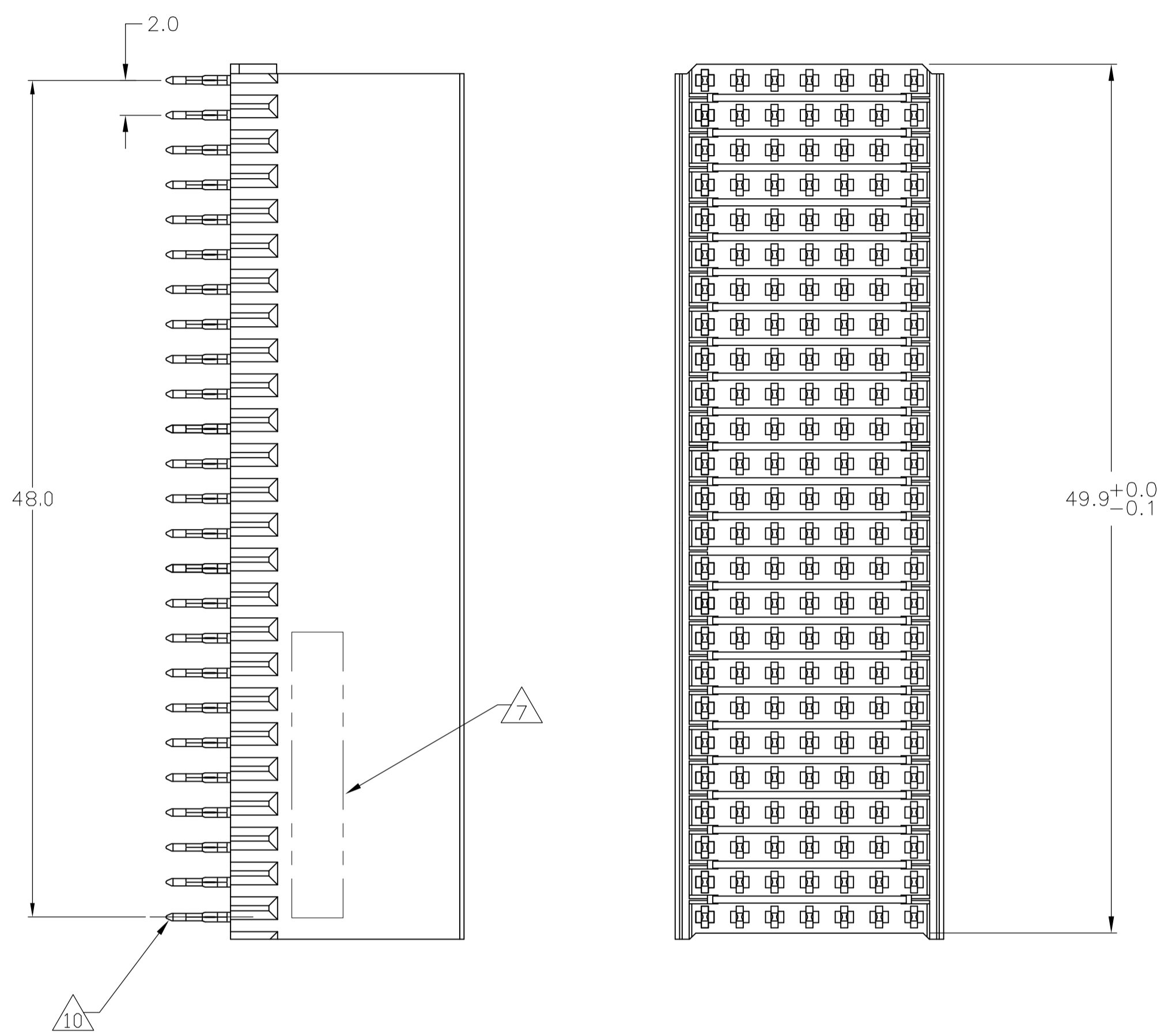


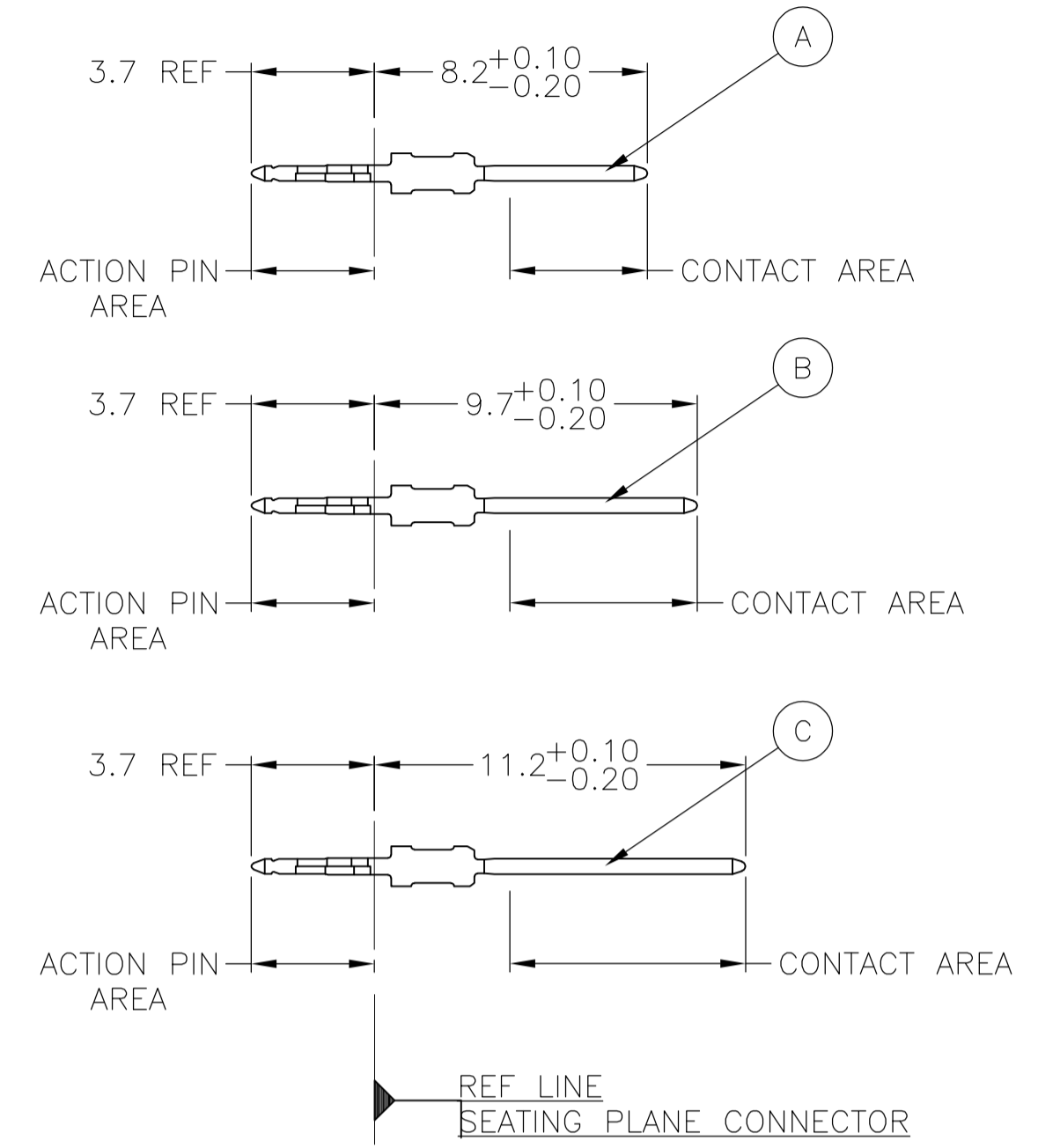
LOC		DIST		REVISIONS			
AD	00	P	LTR	DESCRIPTION	DATE	DMN	APVD
		0	REV PER EC	0S12-0318-04	30AUG05	BC	GS
		A	ECR-10-019054		15SEP10	DP	MQW

### CONNECTOR ASSEMBLY EXAMPLARY LOADED



### CONTACT DIMENSIONS

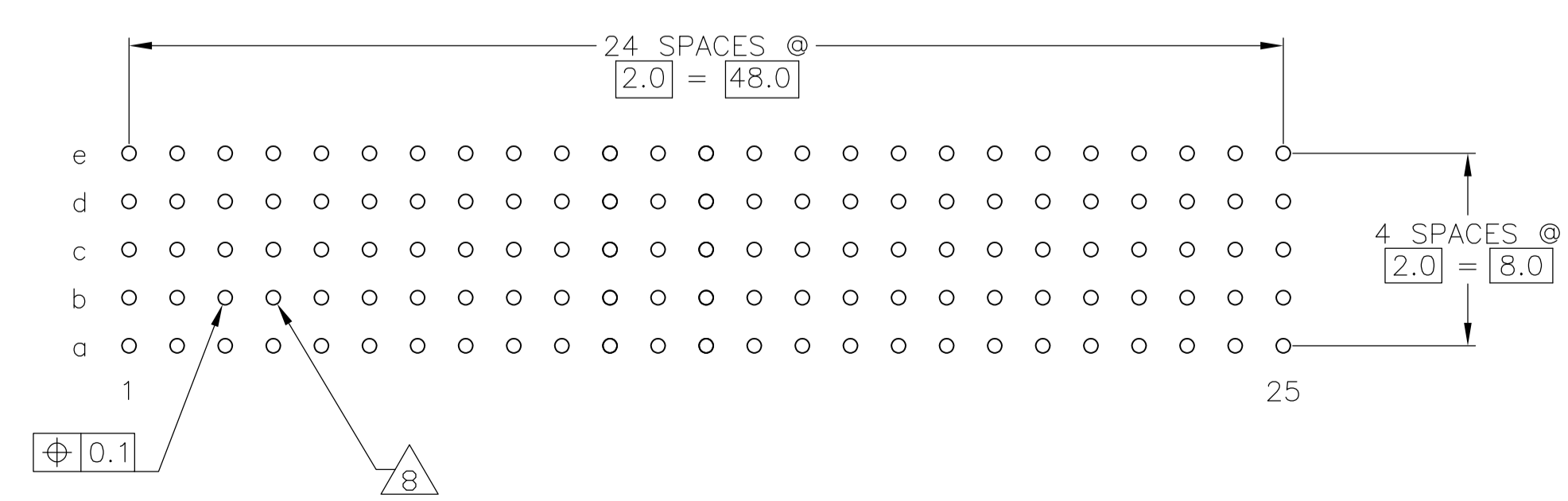
SCALE 5:1



### CONTACT LAYOUT

	z	a	b	c	d	e	f
1		C	B	A	B	C	
2		C	B	A	B	C	
3		C	B	A	B	C	
4		C	B	A	B	C	
5		C	B	A	B	C	
6		C	B	A	B	C	
7		C	B	A	B	C	
8		C	B	A	B	C	
9		C	B	A	B	C	
10		C	B	A	B	C	
11		C	B	A	B	C	
12		C	B	A	B	C	
13		C	B	A	B	C	
14		C	B	A	B	C	
15		C	B	A	B	C	
16		C	B	A	B	C	
17		C	B	A	B	C	
18		C	B	A	B	C	
19		C	B	A	B	C	
20		C	B	A	B	C	
21		C	B	A	B	C	
22		C	B	A	B	C	
23		C	B	A	B	C	
24		C	B	A	B	C	
25		C	B	A	B	C	

### RECOMMENDED PCB-HOLE LAYOUT COMPONENT SIDE SHOWN



### PLATED THRU HOLES PARAMETERS

REFERENCE APPLICATION SPECIFICATION


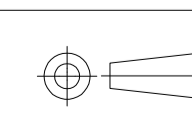
2 6 12	1-5352194-9
2 5 12	5352194-9
2 4	5352194-4
2 3	5352194-1
FINISH	PART NUMBER

THIS DRAWING IS A CONTROLLED DOCUMENT.

DIMENSIONS: mm	TOLERANCES UNLESS OTHERWISE SPECIFIED:	DIN B CARBO 30AUG05	APVD G SKIPPER 30AUG05	Tyco Electronics Corporation Harrisburg, Pa 17105-3608
0-PLC ±	1-PLC ±0.1	NAME	108-19082	MALE ASSEMBLY, Z-PACK 2mm HM, TYPE B
2-PLC ±	3-PLC ±	APPLICATION SPEC	114-19029	RESTRICTED TO
4-PLC ±	ANGLES	WEIGHT	A1 00779 C=5352194	SCALE 4:1 SHEET 1 OF 2 REV A
FINISH	SEE TABLE	CUSTOMER DRAWING		

LOC		DIST		REVISIONS				
P	LTR	DESCRIPTION	DATE	DN	APVD			
AD	00	SEE SHEET 1	-	-	-			

- 1 MATERIAL:  
CONTACT: PHOSPHOR BRONZE.  
HOUSING: GLASS-FILLED POLYESTER.
- 2 GENERAL PLATING SPECIFICATION: UNDERPLATING  
(ENTIRE CONTACT): 1.27µm MIN NICKEL AND ACTION  
PIN: 0.5µm MIN TIN.  
FOR PLATING OF MATING SURFACES SEE APPLICABLE  
SPECIFICATION REFERENCE FOR EACH DASH NUMBER.
- 3 CONFORMS TO ALL TESTING ACCORDING TO IEC 61076-4-101  
PERFORMANCE LEVEL 2.
- 4 CONFORMS TO ALL TESTING ACCORDING TO IEC 61076-4-101  
PERFORMANCE LEVEL 1.
- 5 CONNECTOR TESTED AND QUALIFIED AGAINST TELCORDIA GR-1217-CORE QUALITY LEVEL 3,  
CENTRAL OFFICE APPLICATIONS.
- 6 CONNECTOR TESTED AND QUALIFIED AGAINST TELCORDIA GR-1217-CORE QUALITY LEVEL 3,  
UNCONTROLLED ENVIROMENT APPLICATIONS.
- 7 CONNECTOR MARKED WITH PART NUMBER AND DATE CODE.  
ADDITIONAL CHARACTERS OR MARKINGS, AS WELL AS THE LOCATION OF THE MARKINGS,  
MAY BE ADDED FOR TRACEABILITY BASED UPON MANUFACTURERS DISCRETION.
- 8 PLATED-THROUGH HOLES AT 2x2mm SQUARE GRID  
PATTERN DEFINED BY CONTACT LAYOUT.
- 9 FOR ACTUAL PIN LOADING SEE "CONTACT LAYOUT".
- 10 FOR ACTUAL PIN DIMENSIONS SEE "CONTACT DIMENSIONS".
- 11 TO BE MEASURED AT BOTTOM OF SHROUD.
- 12 CONNECTOR LUBRICATED WITH BELCORE APPROVED LUBRICANT,  
TECHNICAL REFERENCE: TR-NWT-001217 ISSUE 1, SEP 1992.

THIS DRAWING IS A CONTROLLED DOCUMENT.		DIN E CARBO	30AUG05	 Tyco Electronics Corporation Harrisburg, Pa 17105-3608
DIMENSIONS: mm		CIK G SKIPPER	30AUG05	
		APVD G SKIPPER	30AUG05	NAME MALE ASSEMBLY, Z-PACK 2mm HM, TYPE B
TOLERANCES UNLESS OTHERWISE SPECIFIED: 0-PLC ± 1-PLC ± 0.1 2-PLC ± 3-PLC ± 4-PLC ± ANGLES ±		PRODUCT SPEC 108-19082		RESTRICTED TO
MATERIAL SEE SHEET 1		APPLICATION SPEC 114-19029	WEIGHT -	SIZE A1
FINISH SEE SHEET 1		CUSTOMER DRAWING		SCALE 4:1 SHEET 2 OF 2 REV A