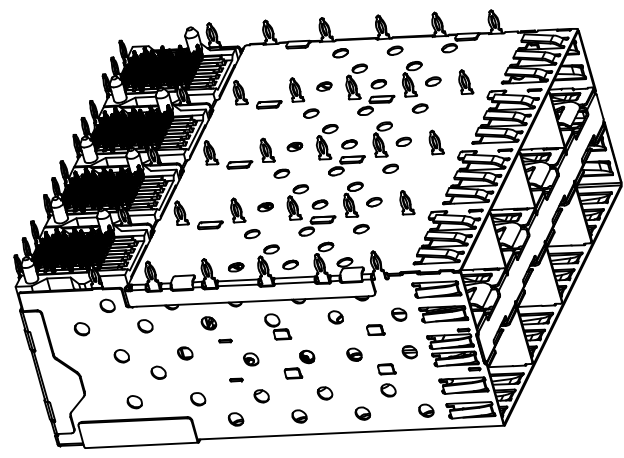
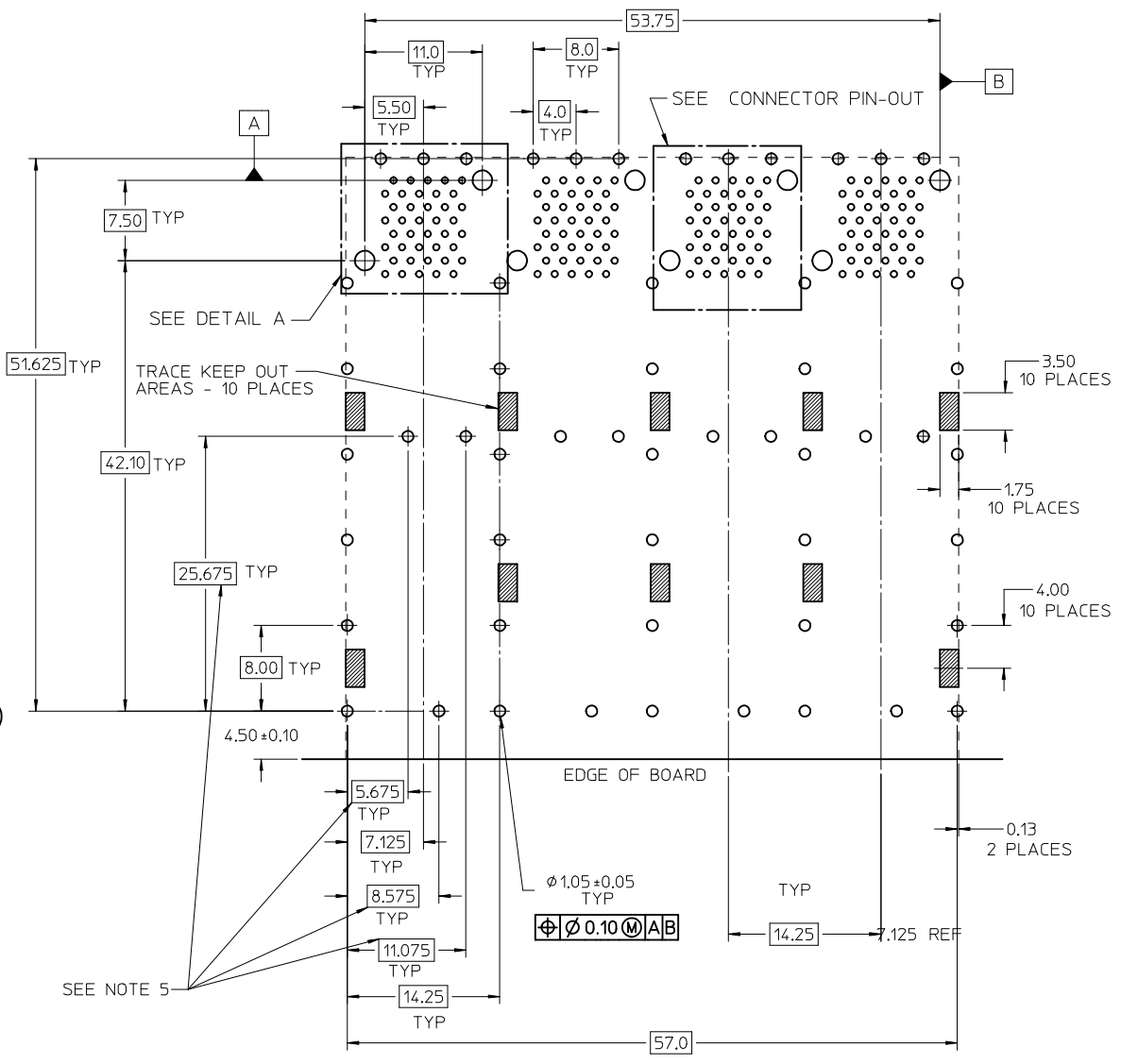
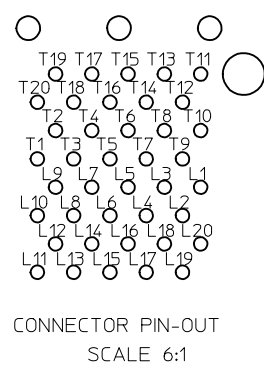
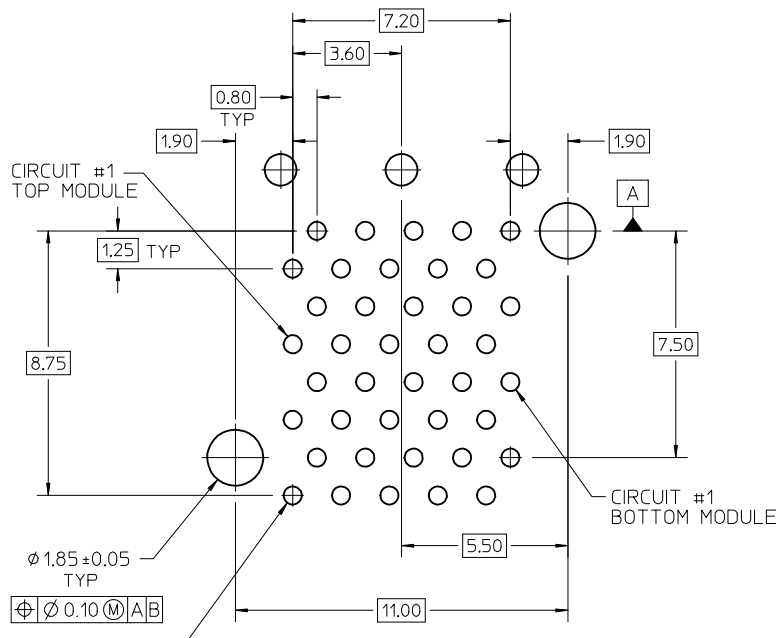


- NOTES
- MATERIAL:
 - CAGE: NICKEL SILVER; THICKNESS: 0.25mm.
 - CONNECTOR HOUSING: GLASS FILLED HIGH TEMP PLASTIC, 94 V-0
 - COLOR: BLACK.
 - OVERMOLDED TERMINAL ASSEMBLY: GLASS FILLED HIGH TEMP PLASTIC, 94 V-0, COLOR: BLACK
 - TERMINALS: TIN BRASS
 - FINISH:
 - TERMINALS:
 - CONTACT AREA: 0.76 MICROMETERS MINIMUM HARD GOLD
 - OVER 1.27 MICROMETERS MINIMUM NICKEL.
 - COMPLIANT TAIL - TIN/LEAD OPTION: 0.76 - 152 MICROMETERS 90/10 TIN/LEAD
 - OVER 0.76 - 152 MICROMETERS NICKEL
 - COMPLIANT TAIL - TIN OPTION: 0.76 - 152 MICROMETERS TIN
 - OVER 0.76 - 152 MICROMETERS NICKEL
 - REFER TO PRODUCT SPEC PS-75310-001 FOR ALL ELECTRICAL, MECHANICAL, AND ENVIRONMENTAL SPECIFICATIONS.
 - REFER TO PACKAGING SPEC PK-75450-001 FOR ALL PACKAGING SPECIFICATIONS.
 - THE CURVED TAILS THAT GO INTO THE HOLES LOCATED BY THESE DIMENSIONS ARE BEING ELIMINATED. TO ACCOMMODATE THIS CONVERSION, IT IS RECOMMENDED THAT BOARDS DESIGNED TO THIS PRINT REVISION INCLUDE THESE HOLES.
 - PART COMPLIES WITH COSMETIC SPECIFICATION PS-45499-002. SEE SHEET 3 SECTION Z-Z FOR SURFACE CLASSIFICATIONS. UNDERSIDE OF CAGE COMPLIES WITH CLASS 'C'.

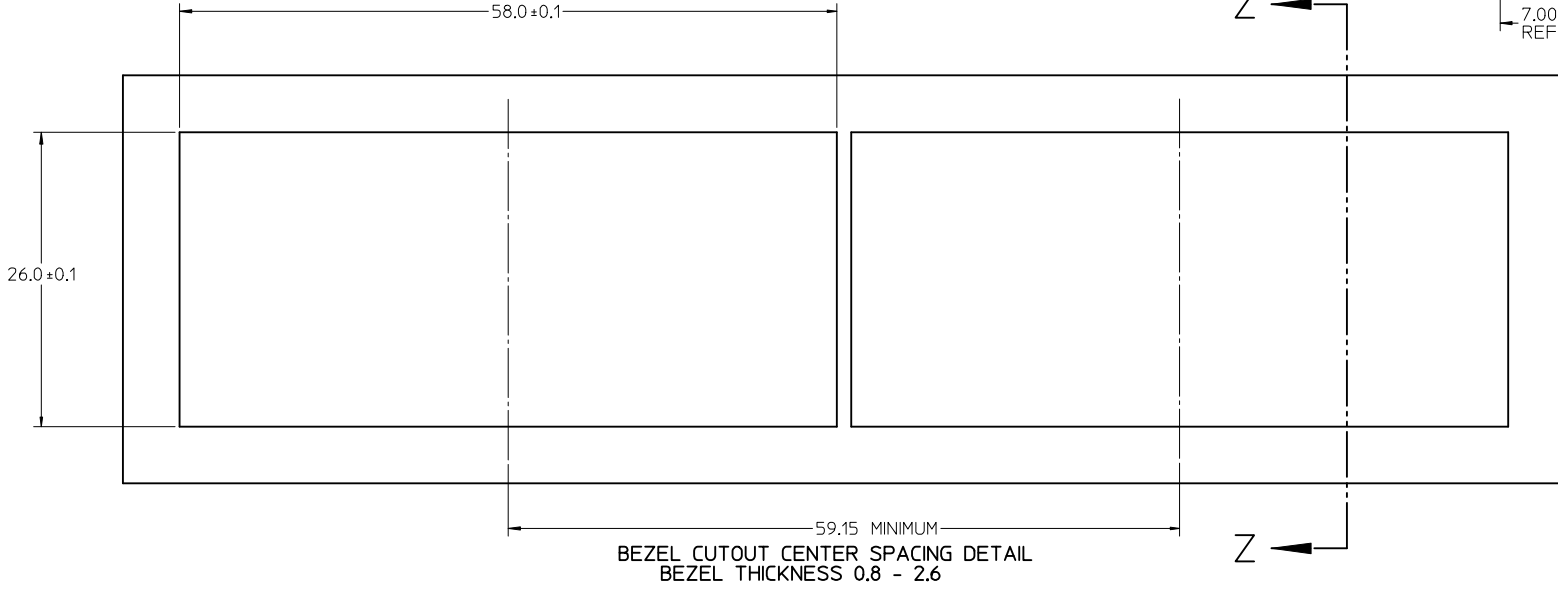
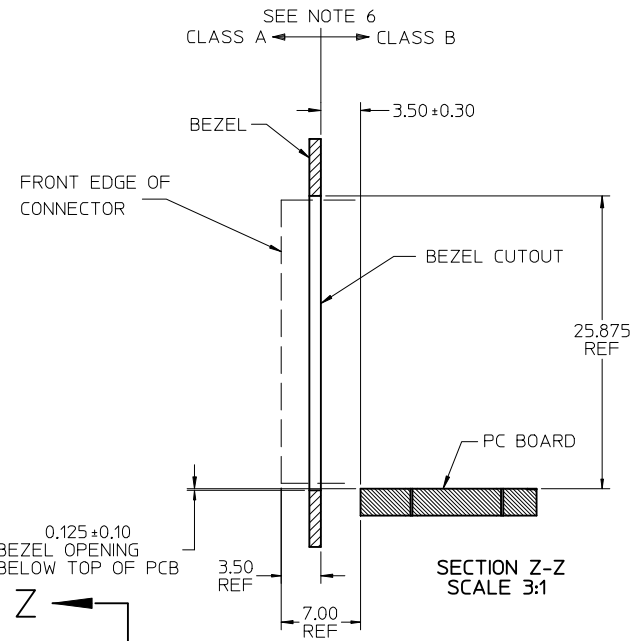
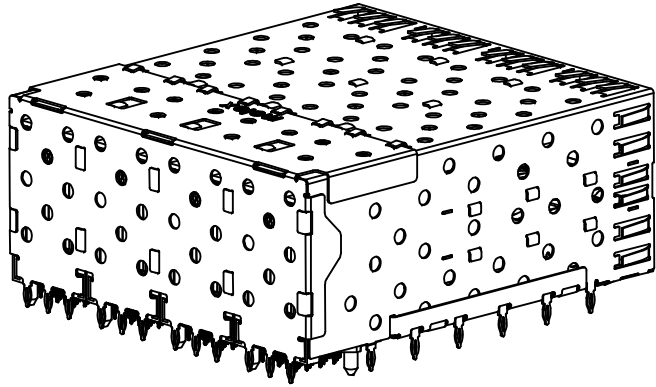
754545001	TIN
754540001	TIN / LEAD
MATERIAL NO.	TERMINAL TAIL PLATING

CLARIFY VIEWS EC NO: UCP2014-4884 TDR: W/WHIPPLE 2014/05/21 CHK: DBBARKER 2014/05/21 APPR: SWILLER 2014/10/02	QUALITY SYMBOLS 	GENERAL TOLERANCES (UNLESS SPECIFIED)		DIMENSION STYLE MM ONLY		SCALE 3:1	DESIGN UNITS METRIC	THIRD ANGLE PROJECTION		
		4 PLACES ± --- ± ---	3 PLACES ± --- ± ---	DRAWN BY JLONG	DATE 02-04-2004	TITLE STACKED SFP 2X4 MEDIUM HEIGHT ASS'Y, PRESS-FIT TAIL WITHOUT LIGHT PIPES				SHEET NO. 1 OF 3
		2 PLACES ± 0.13 ± ---	1 PLACE ± 0.25 ± ---	CHECKED BY KREGNIER	DATE 02-27-2004	DOCUMENT NO. SD-75454-001				
		0 PLACE ± ±	ANGULAR ± 5 °	APPROVED BY KREGNIER	DATE 04-28-2004			MATERIAL NO. SEE TABLE		THIS DRAWING CONTAINS INFORMATION THAT IS PROPRIETARY TO MOLEX. INCORPORATED AND SHOULD NOT BE USED WITHOUT WRITTEN PERMISSION



SEE SHEET 1 EC NO: UCP2014-4684 TDR:WJH/PPLE 2014/05/21 CHKD:BBARKER 2014/05/21 APPR:SWILLER 2014/10/02	QUALITY SYMBOLS 	GENERAL TOLERANCES (UNLESS SPECIFIED)		DIMENSION STYLE MM ONLY	SCALE 3:1	DESIGN UNITS METRIC	THIRD ANGLE PROJECTION	
		4 PLACES ± --- ± --- 3 PLACES ± --- ± --- 2 PLACES ± 0.13 ± --- 1 PLACE ± 0.25 ± --- 0 PLACE ± ±	mm INCH	DRAWN BY DATE JLONG 02-04-2004	CHECKED BY DATE KREGNIER 02-27-2004	TITLE STACKED SFP 2X4 MEDIUM HEIGHT ASS'Y, PRESS-FIT TAIL WITHOUT LIGHT PIPES		
		ANGULAR ± 5 °		APPROVED BY DATE KREGNIER 04-28-2004	molex			
		DRAFT WHERE APPLICABLE MUST REMAIN WITHIN DIMENSIONS		MATERIAL NO. SEE SHEET 1	DOCUMENT NO. SD-75454-001	SHEET NO. 2 OF 3		

THIS DRAWING CONTAINS INFORMATION THAT IS PROPRIETARY TO MOLEX INCORPORATED AND SHOULD NOT BE USED WITHOUT WRITTEN PERMISSION



SEE SHEET 1 EC NO: UCP2014-4884 TDR:RW/HP/PPLE 2014/05/21 CHKD:BBARKER 2014/05/21 APPR:SMILLER 2014/10/02	QUALITY SYMBOLS ▽=0 ▽=0 ▽=0	GENERAL TOLERANCES (UNLESS SPECIFIED)		DIMENSION STYLE MM ONLY		SCALE 3:1	DESIGN UNITS METRIC	THIRD ANGLE PROJECTION		
		4 PLACES ± --- ± ---	mm	INCH	DRAWN BY	DATE	TITLE STACKED SFP 2X4 MEDIUM HEIGHT ASS'Y, PRESS-FIT TAIL WITHOUT LIGHT PIPES molex			
		3 PLACES ± --- ± ---			JLONG	02-04-2004				
		2 PLACES ± 0.13 ± ---			CHECKED BY	DATE	DOCUMENT NO. SD-75454-001			
1 PLACE ± 0.25 ± ---			KREGNIER	02-27-2004						
0 PLACE ± ±			APPROVED BY	DATE	SHEET NO. 3 OF 3					
			KREGNIER	04-28-2004						
DRAFT WHERE APPLICABLE MUST REMAIN WITHIN DIMENSIONS		ANGULAR ± 5 °		MATERIAL NO. SEE SHEET 1		THIS DRAWING CONTAINS INFORMATION THAT IS PROPRIETARY TO MOLEX INCORPORATED AND SHOULD NOT BE USED WITHOUT WRITTEN PERMISSION				