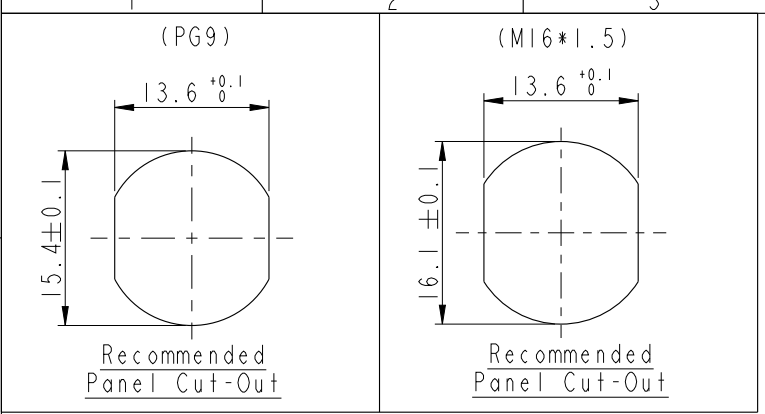
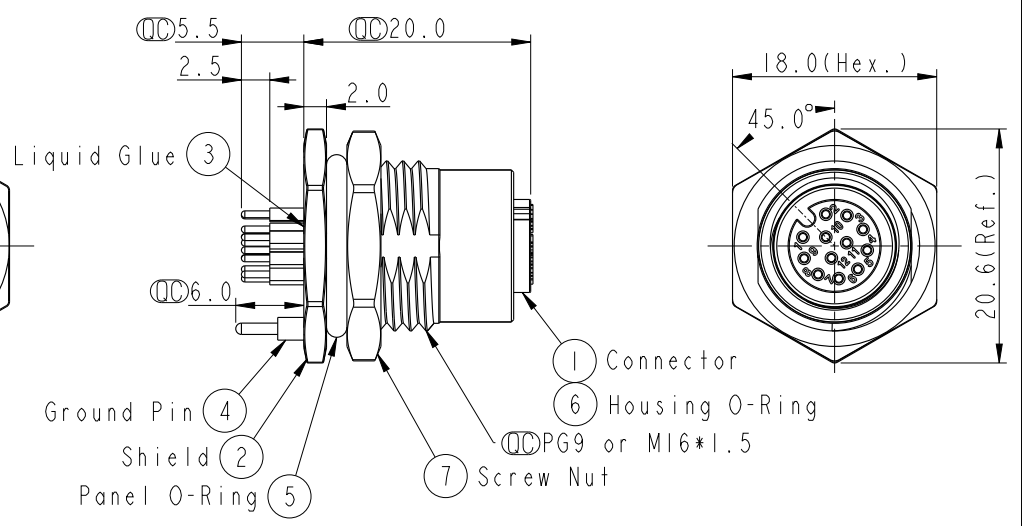
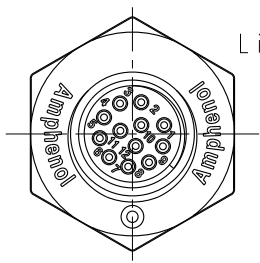


THIS DOCUMENT IS SUBJECT TO CHANGE WITHOUT NOTICE. IT IS CONFIDENTIAL AND A PROPERTY OF Amphenol LTW. DISCLOSURE TO THIRD PARTY HAS TO BE AUTHORIZED BY Amphenol LTW.

REV.	ECN NO.	DATE	SIGN	DESCRIPTION
B	LENI570234~239 LE3I570210~215	2015/07/20	Yulong_wang	Change to Share Drawing.
C	LENI680402~413	2016/08/09	Yulong_wang	Add 6Pin & IP69K.



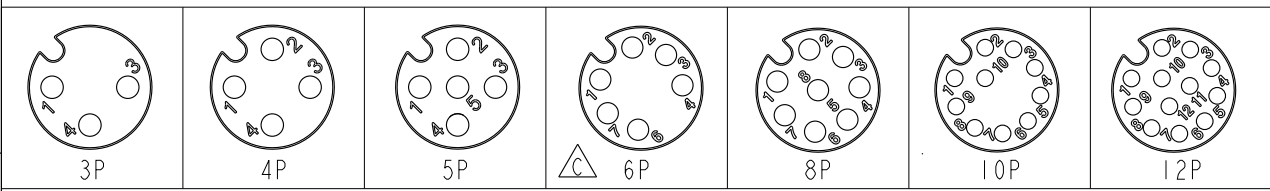
△



**ALTW**  
**CONFIDENTIAL**  
 2016-08-09  
**R&D DEPT.**

**ALTW**  
 DCC. DEPT.  
**CONFIDENTIAL**  
 2016.08.12  
**ISSUED**

- Note:
- \* ∅ Important Dimension.
  - \* △ Waterproof Rate: IP68, IP69K.
  - \* Housing: Nylon+GF, Black.
  - \* Female Pin: Copper Alloy, Gold Plated.
  - \* Shield: Zinc Alloy, Nickel Plated.
  - \* Ground Pin: Copper Alloy, Gold Plated.
  - \* Screw Nut: Zinc Alloy, Nickel Plated.
  - \* Panel O-Ring: Viton, Black.
  - \* Housing O-Ring: Viton, Green.
  - \* Rated Voltage: 3 & 4Pin 250V dc. or ac.  
5Pin 60V dc. or ac.  
6~12Pin 30V dc. or ac.
  - \* Rated Current: 3~5Pin 4A  
6~8Pin 2A  
10~12Pin 1.5A
  - \* Operating Temperature: -40~105°C
  - \* For Panel Thickness Max 4.5mm.
  - \* Recommended Nut Torque: 4-6 Kgf.cm.



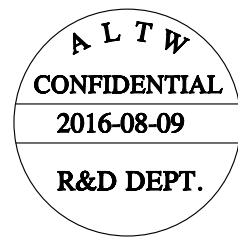
Pin Assignment Front View

UNIT: mm			TITLE MI2 A-Code Female Conn. PCB Type Shielded
TOLERANCE .X ±0.25 .XX ±0.1 .XXX ±0.05 ANGLES ±1°	SCALE 2:1	SIZE A4	SHEET 1 OF 2
REV. C	WC-REV. A.5	∅: Inspection item	

**Amphenol LTW**  
**安費諾亮泰企業股份有限公司**

ITEM NO.	DRAWN BY Yulong_wang	DATE 2016-08-09
DWG NO. MSAS-XXPFFP-SF8XXX	CHECKED BY Jinhai	DATE 2016-08-09
CUSTOMER ALTW	APPROVED BY Jerry	DATE 2016-08-09

THIS DOCUMENT IS SUBJECT TO CHANGE WITHOUT NOTICE. IT IS CONFIDENTIAL AND A PROPERTY OF Amphenol LTW. DISCLOSURE TO THIRD PARTY HAS TO BE AUTHORIZED BY Amphenol LTW.



M SAS - XX P F F P - S F 8 XXX

SAS: A-Code Shielded

03: 3Pin  
 04: 4Pin  
 05: 5Pin  
 06: 6Pin  $\triangle C$   
 08: 8Pin  
 10: 10Pin  
 12: 12Pin

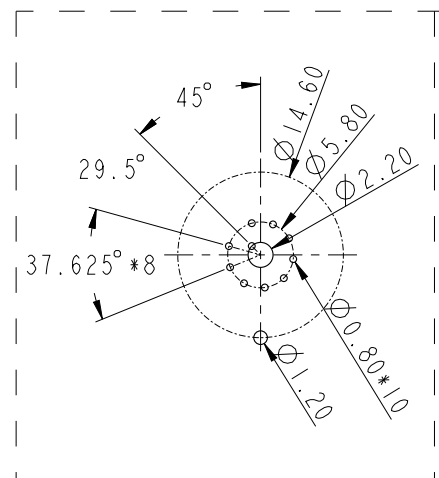
P: Panel (板端)  
 F: Female Connector (母座)

001: PG9  
 002: M16\*1.5

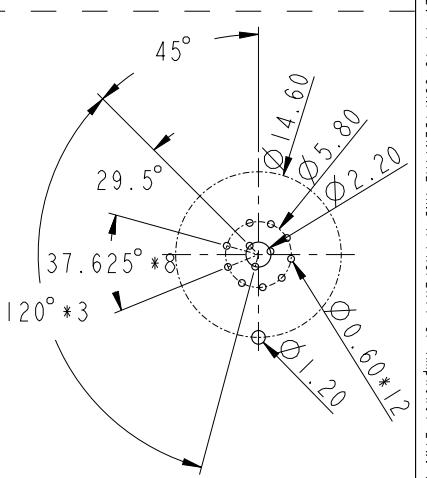
8: IP68/69K (防水等級68/69K)  $\triangle C$

F: Front Fasten (前鎖式/Enclosure Rear Mount)  
 S: Screw (螺紋式)

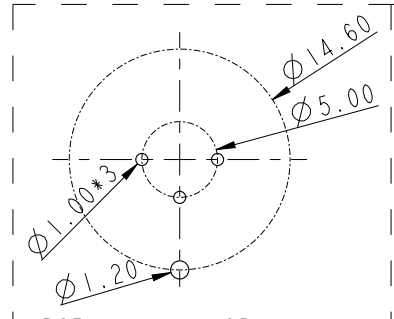
P: PCB THT/DIP Type (180° 基板插件式)  
 F: Female Pin (母Pin)



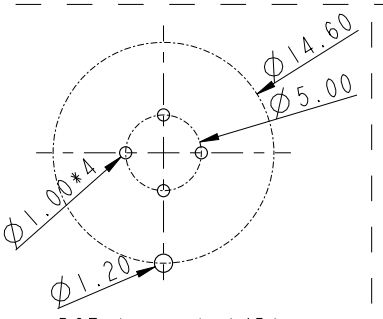
PCB Layout (10P)



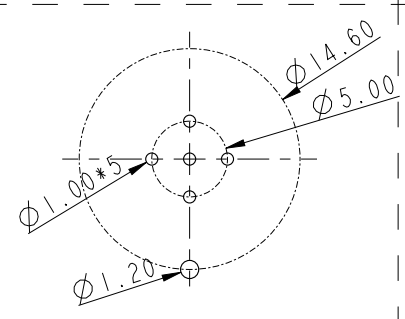
PCB Layout (12P)



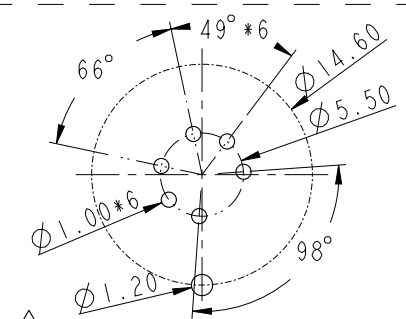
PCB Layout (3P)



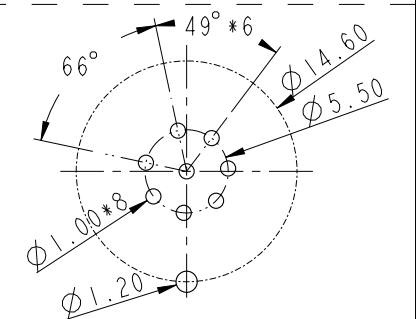
PCB Layout (4P)



PCB Layout (5P)



PCB Layout (6P)



PCB Layout (8P)

UNIT: mm		
TOLERANCE	.X ±0.25	
.XX ±0.1		
.XXX ±0.05		
ANGLES	±1°	

TITLE M12 A-Code Female Conn. PCB Type Shielded		
SCALE 2:1	SIZE A4	SHEET 2 OF 2
REV. C	WC-REV. A.4	: Inspection item

**Amphenol LTW**  
 安費諾亮泰企業股份有限公司

ITEM NO	DRAWN BY Yulong_wang	DATE 2016-08-09
DWG NO MSAS-XXPFFP-SF8XXX	CHECKED BY Jinhai	DATE 2016-08-09
CUSTOMER ALTW	APPROVED BY Jerry	DATE 2016-08-09

DATE 2016-08-09
DATE 2016-08-09
DATE 2016-08-09