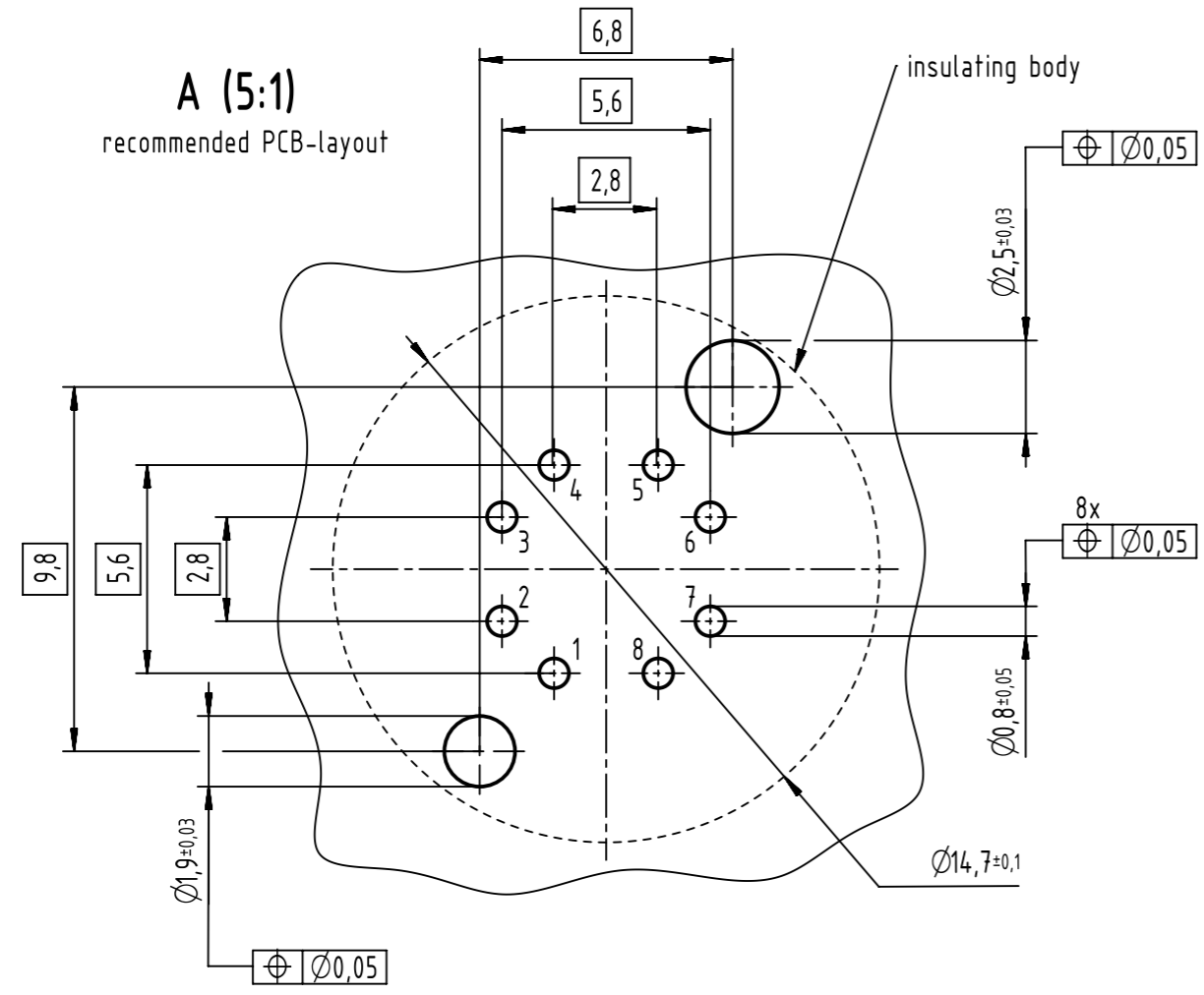
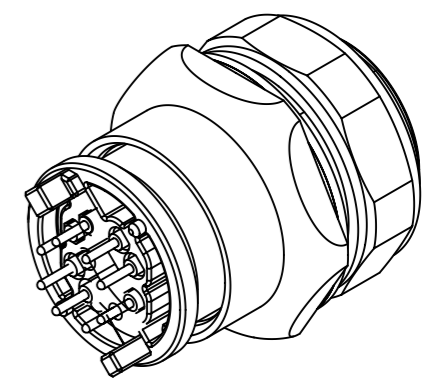


A (5:1)
recommended PCB-layout



- 500 mating cycles acc. to DIN EN 60512-9-1
- design for reflow soldering
- 60 pcs. tray package

pin assignment		
pin	Signal	pair
1	TD1+	2
2	RD1-	2
3	TD2+	3
4	RD2-	3
5	TD4+	4
6	RD4-	4
7	RD3-	1
8	TD3+	1



	All rights reserved Department EC PD - DE	Created by HELLMANN	Inspected by EISFELD	Standardisation HOFFMANN	Date 2016-05-10	State Final Release	Ref. Sub. TB 21033812805 50000074641 2014-10-02
	HARTING Electronics GmbH D-32339 Espelkamp	Title har-speed M12 PCB Cat5 receptacle straight rear			Type TB	Number 21033812805	Doc-Key / ECM-Nr. 100230893/UGD/001/E 500000104078
						Rev. E	Page 1/1