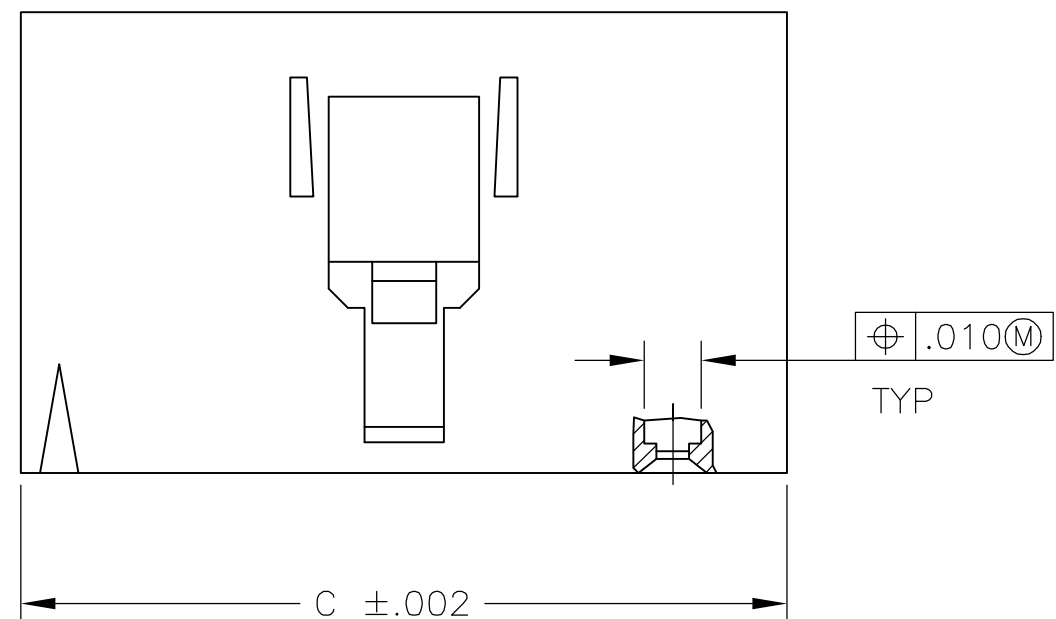
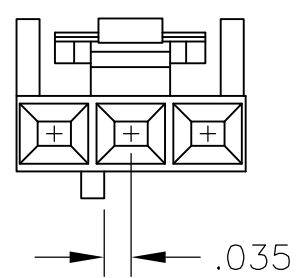
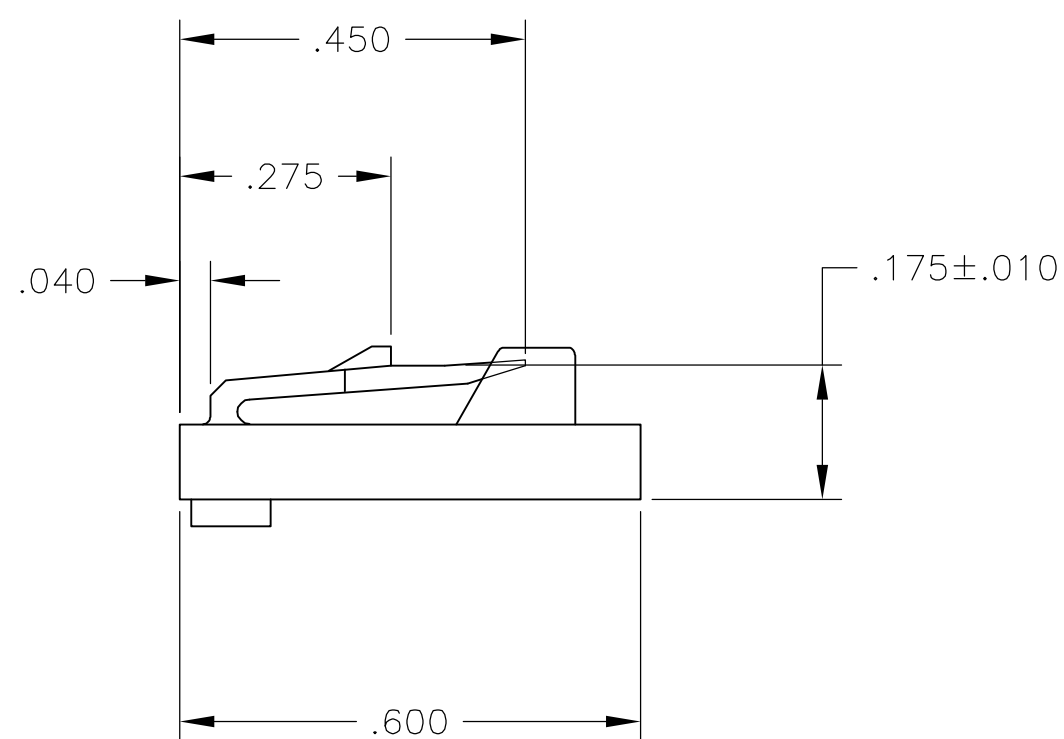
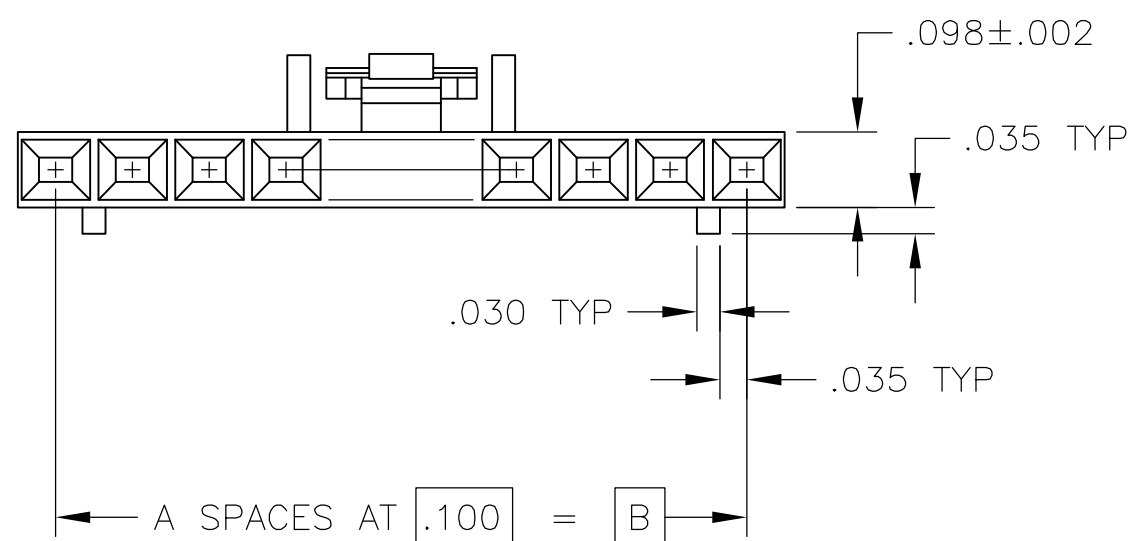


THIS DRAWING IS UNPUBLISHED. RELEASED FOR PUBLICATION
 © COPYRIGHT BY TYCO ELECTRONICS CORPORATION. ALL RIGHTS RESERVED.

LOC	DIST	REVISIONS			
P	LTR	DESCRIPTION	DATE	DWN	APVD
AD	00	B	ECR-05-7303	07SEP05	RB JG



1 MATERIAL: FLAME RETARDANT THERMOPLASTIC. COLOR- BLACK.



DETAIL FOR -1 ONLY
(3 POSITION)

1.998	1.900	19	20	1571182-2
.298	.200	2	3	1571182-1
C	B	A	NUMBER OF POSITIONS	PART NUMBER

THIS DRAWING IS A CONTROLLED DOCUMENT.		DWN	04FEB02	Tyco Electronics Corporation	
DIMENSIONS: INCHES		R BROWN		Harrisburg, Pa 17105-3608	
TOLERANCES UNLESS OTHERWISE SPECIFIED:		CHK	04FEB02	RECEPTACLE HOUSING, AMPMODU	
0 PLC	± -	J GESFORD		MTE, SINGLE ROW, .100CL	
1 PLC	± -	APVD	04FEB02	POLARIZED WITH LATCH	
2 PLC	± -	J GESFORD		SIZE	CAGE CODE
3 PLC	± .005	PRODUCT SPEC	108-25034	A2	00779
4 PLC	± -	APPLICATION SPEC	114-25026	DRAWING NO	C=1571182
ANGLES	± -	WEIGHT	-	RESTRICTED TO	-
FINISH	-	CUSTOMER DRAWING		SCALE	4:1
				SHEET	1 OF 1
				REV	B