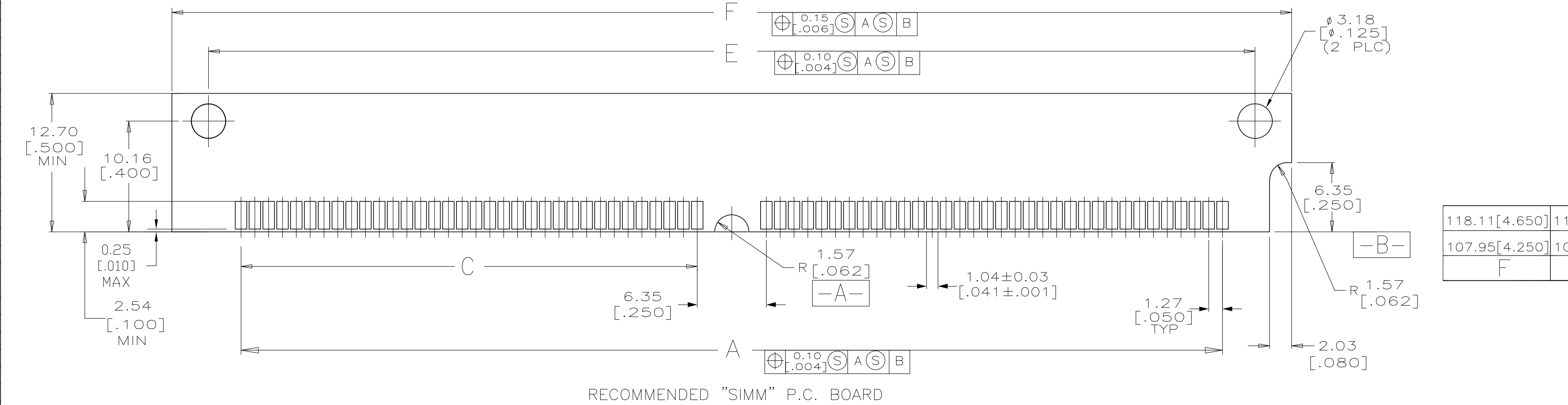
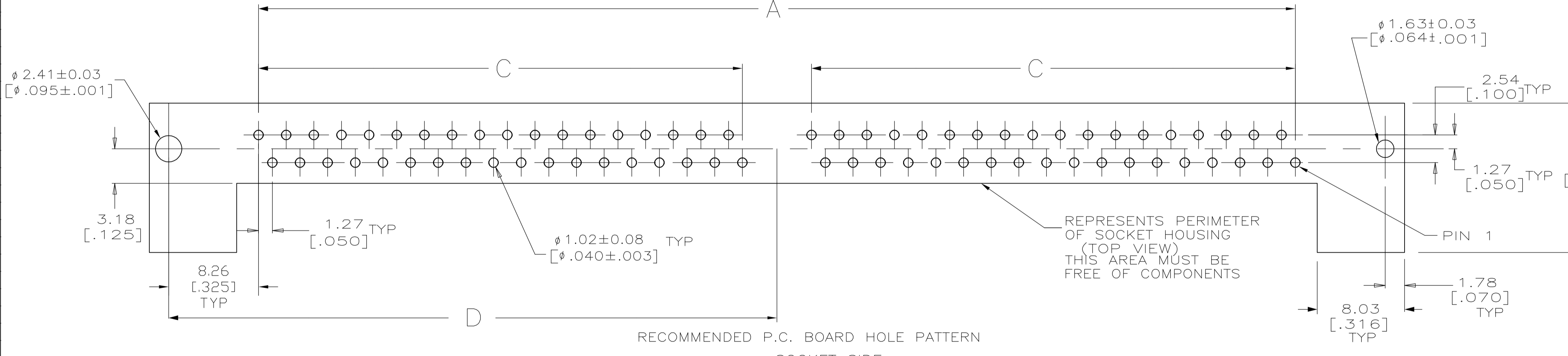
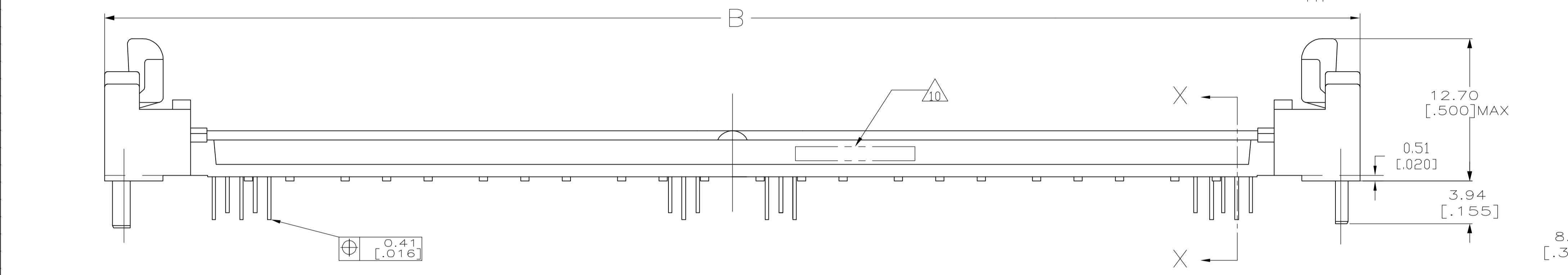
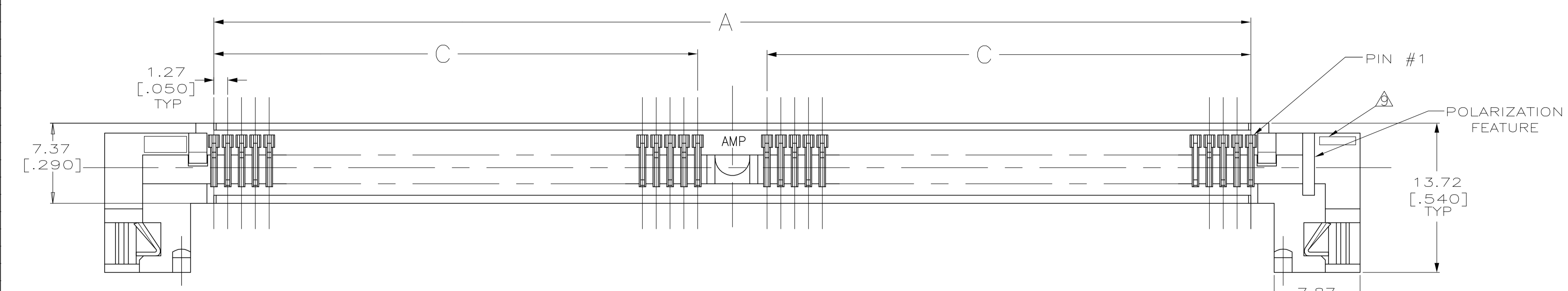
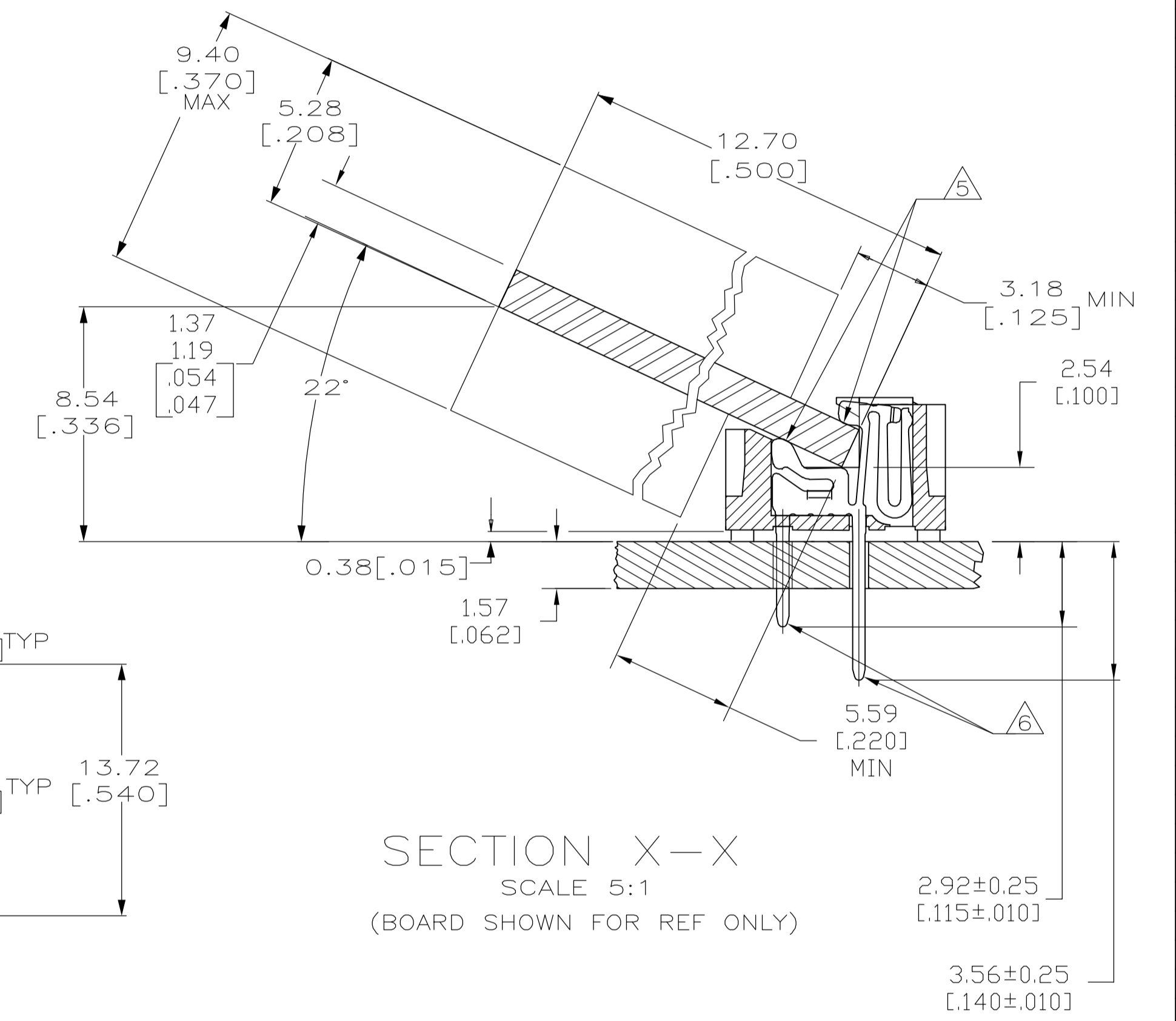


| LOC |    | DIST |     | REVISIONS                 |         |     |      |
|-----|----|------|-----|---------------------------|---------|-----|------|
| AG  | 00 | P    | LTR | DESCRIPTION               | DATE    | OWN | APVD |
| U   |    |      |     | REVISED PER ECO-06-007841 | 19JUL06 | JDP | MB   |



- △ HOUSING—MATERIAL : LIQUID—CRYSTAL—POLYMER.
- △ CONTACT—MATERIAL : PHOS. BRONZE.
- △ LATCH—MATERIAL : STAINLESS STEEL.
- △ CONTACT—PLATE 0.00127 [.000050] MIN NICKEL ALL OVER.
- △ CONTACT—PLATE 0.00076 [.000030] MIN. GOLD AT CONTACT PTS.
- △ CONTACT SOLDER TAILS—PLATE 0.00508 [.000200] MIN TIN/LEAD.
- 7. IN ADDITION TO THOSE RECOMMENDED "SIMM" P.C. BOARD DIMENSIONS AND TOLERANCES SHOWN, ALL JEDEC SPECIFICATIONS APPLY AS SHOWN ON MO-116, ISSUE A.
- 8. RECOMMENDED MATING S.I.M.M. TAB METALLURGY: BASE METAL—COPPER. PLATING TO BE 0.00076 [.000030] MIN GOLD OVER 0.00127 [.000050] MIN NICKEL.
- △ 'S' IDENTIFIER LOCATED APPROXIMATELY AS SHOWN.
- △ 10 DATE CODE INFORMATION (YEAR WEEK), LOCATED APPROXIMATELY AS SHOWN ON OPPOSITE SIDE ONLY.



|               |               |              |              |               |               |            |          |
|---------------|---------------|--------------|--------------|---------------|---------------|------------|----------|
| 118.11[4.650] | 111.35[4.384] | 60.96[2.400] | 49.53[1.950] | 125.48[4.940] | 105.41[4.150] | 80         | 822138-4 |
| 107.95[4.250] | 101.19[3.984] | 55.88[2.200] | 44.45[1.750] | 115.32[4.540] | 95.25[3.750]  | 72         | 822138-3 |
| F             | E             | D            | C            | B             | A             | NO. OF POS | PART NO  |

|  |        |                            |  |   |  |
|--|--------|----------------------------|--|---|--|
| THIS DRAWING IS A CONTROLLED DOCUMENT. |        | DIN 9137 MCMMASTER 07JAN04 |  | Tyco Electronics Corporation                            |  |
| DIMENSIONS: mm [INCHES]                |        | CHK M.YFOMANS 07JAN04      |  | Harrisburg, PA 17105-3608                               |  |
| TOLERANCES UNLESS OTHERWISE SPECIFIED: |        | APPD M.YFOMANS 07JAN04     |  | NAME  |  |
| 0 PLC                                  | ± .005 | PRODUCT SPEC               |  | CONNECTOR, MICRO-EDGE, .050, LP, GOLD PL. W/METAL LATCH |  |
| 1 PLC                                  | ± .004 | APPLICATION SPEC           |  | SIZE  |  |
| 2 PLC                                  | ± .003 | MATERIAL                   |  | CAGE CODE   |  |
| 3 PLC                                  | ± .002 | FINISH                     |  | DRAWING NO  |  |
| 4 PLC                                  | ± .001 | MATERIAL                   |  | RESTRICTED TO   |  |
| ANGLES                                 | ± .005 | WEIGHT                     |  | SCALE   |  |
|  |        | CUSTOMER DRAWING           |  | SHEET   |  |
|  |        | A1 00779                   |  | 1 OF 1  |  |
|  |        | C=822138                   |  | REV U   |  |