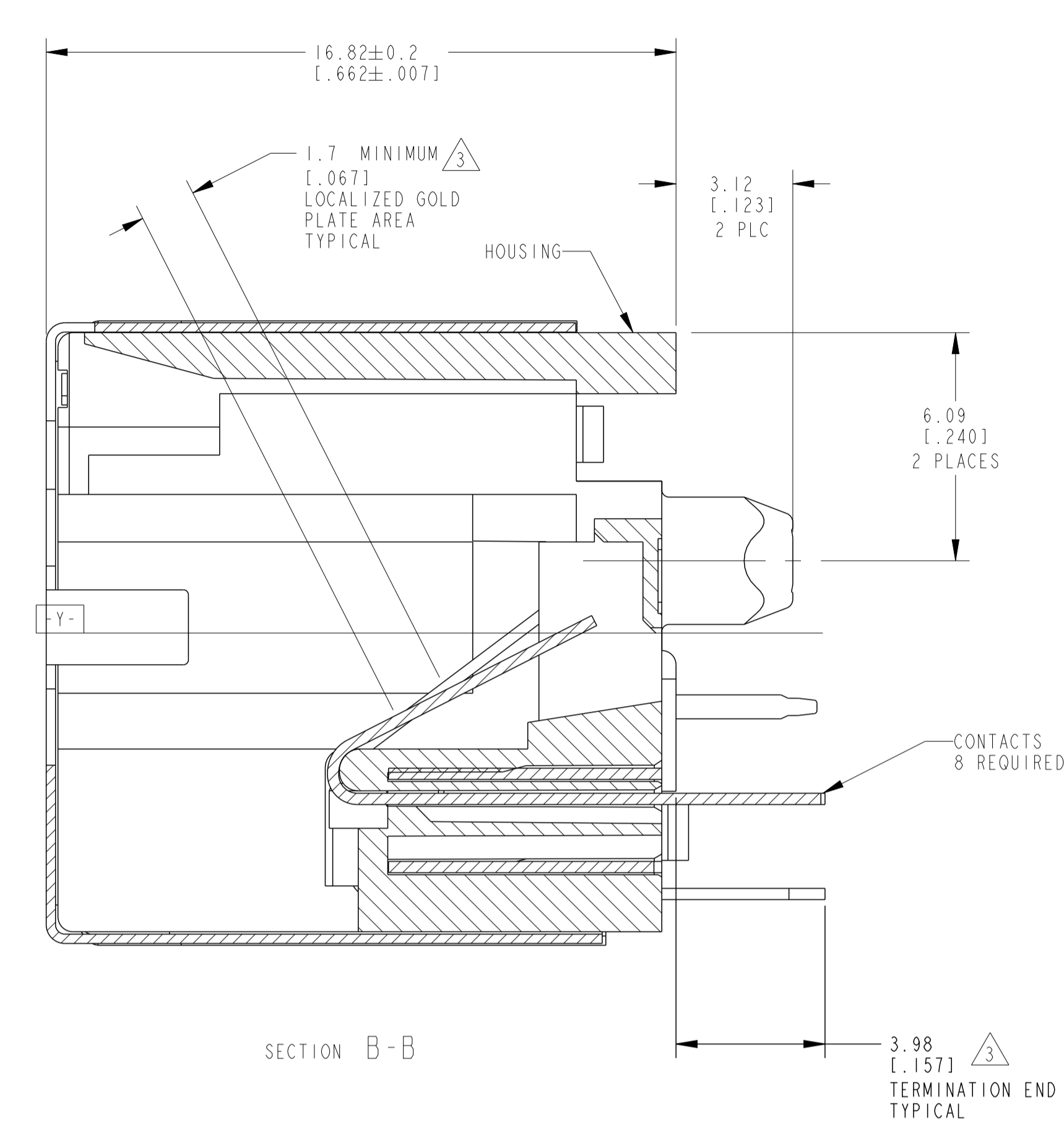
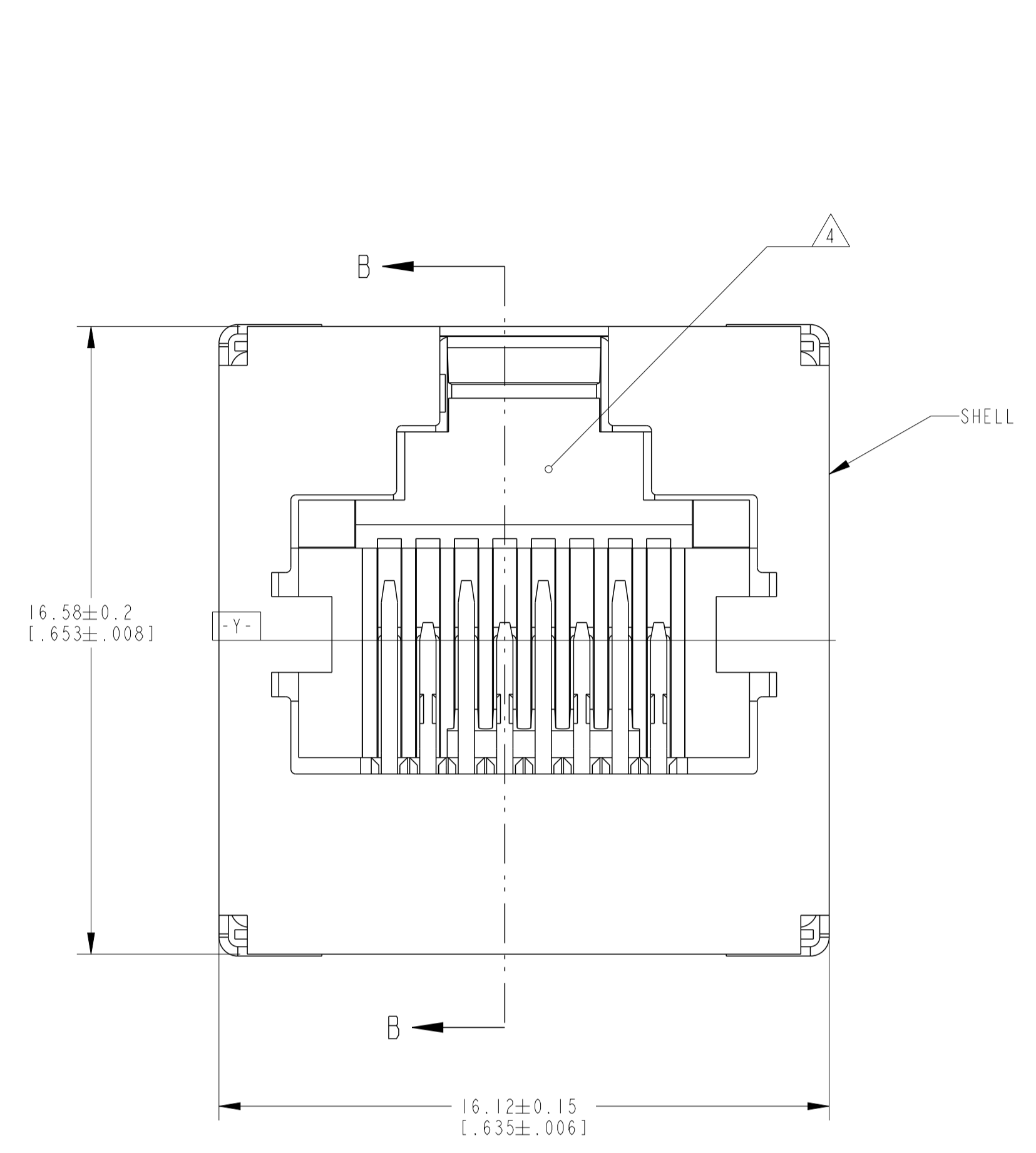
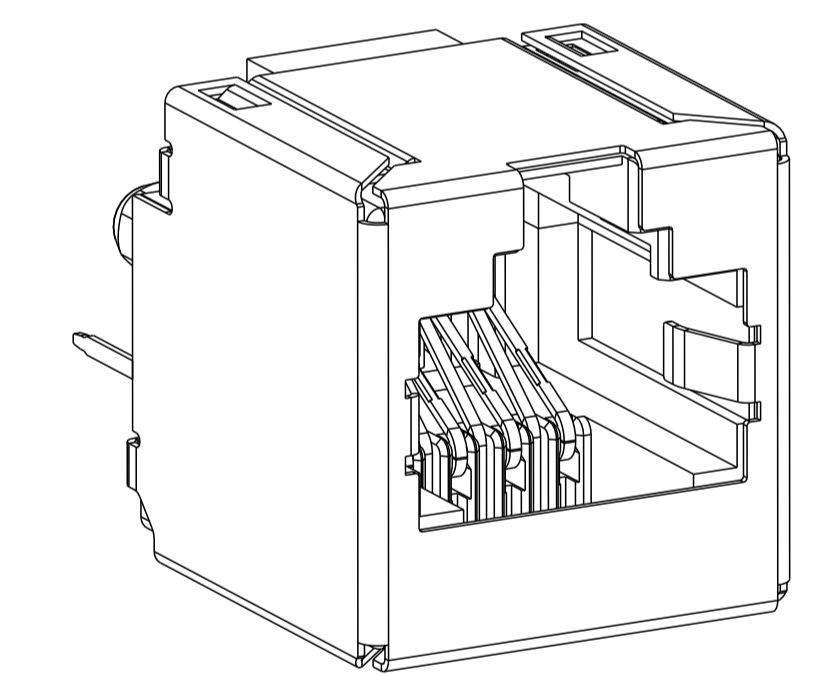
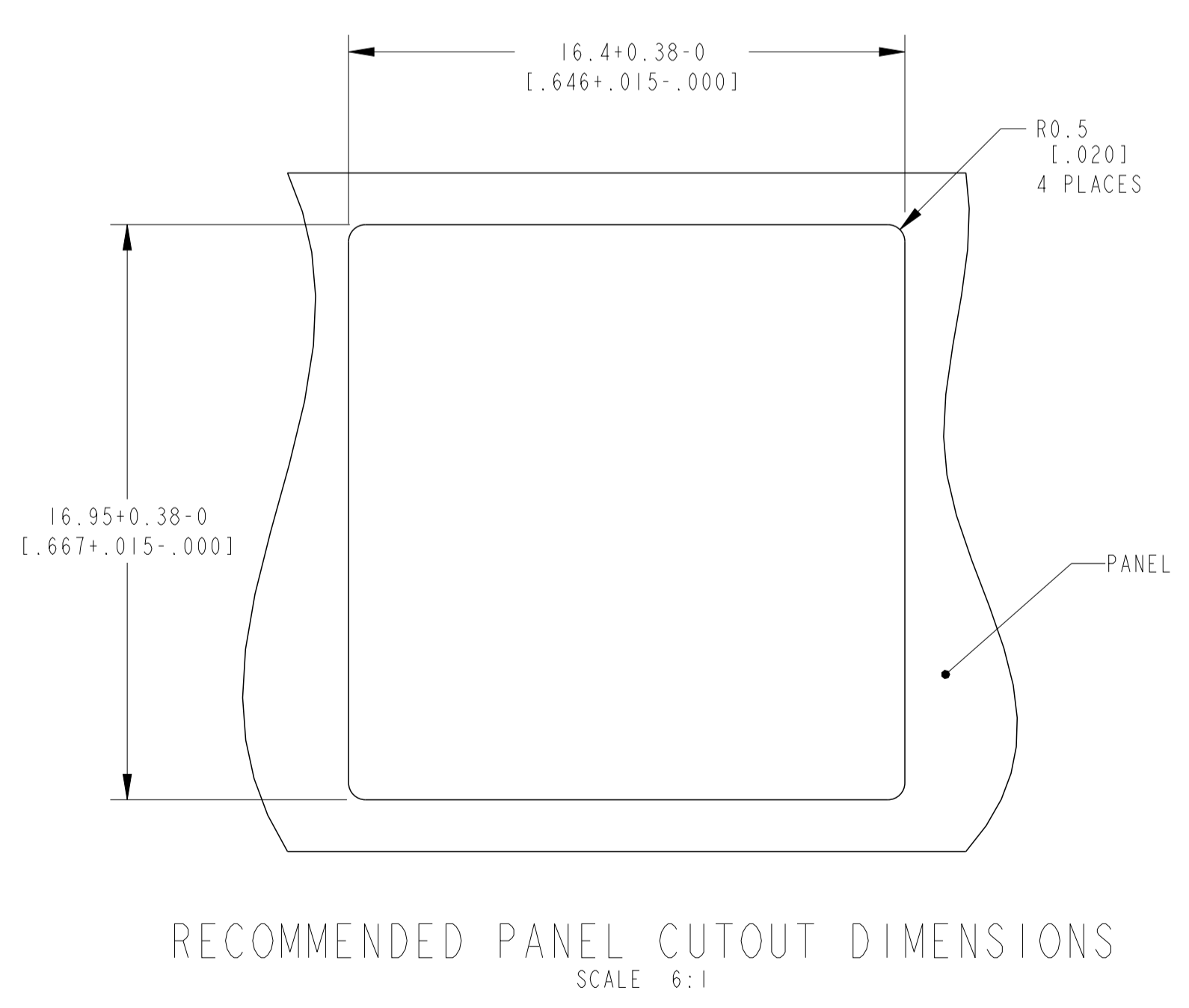
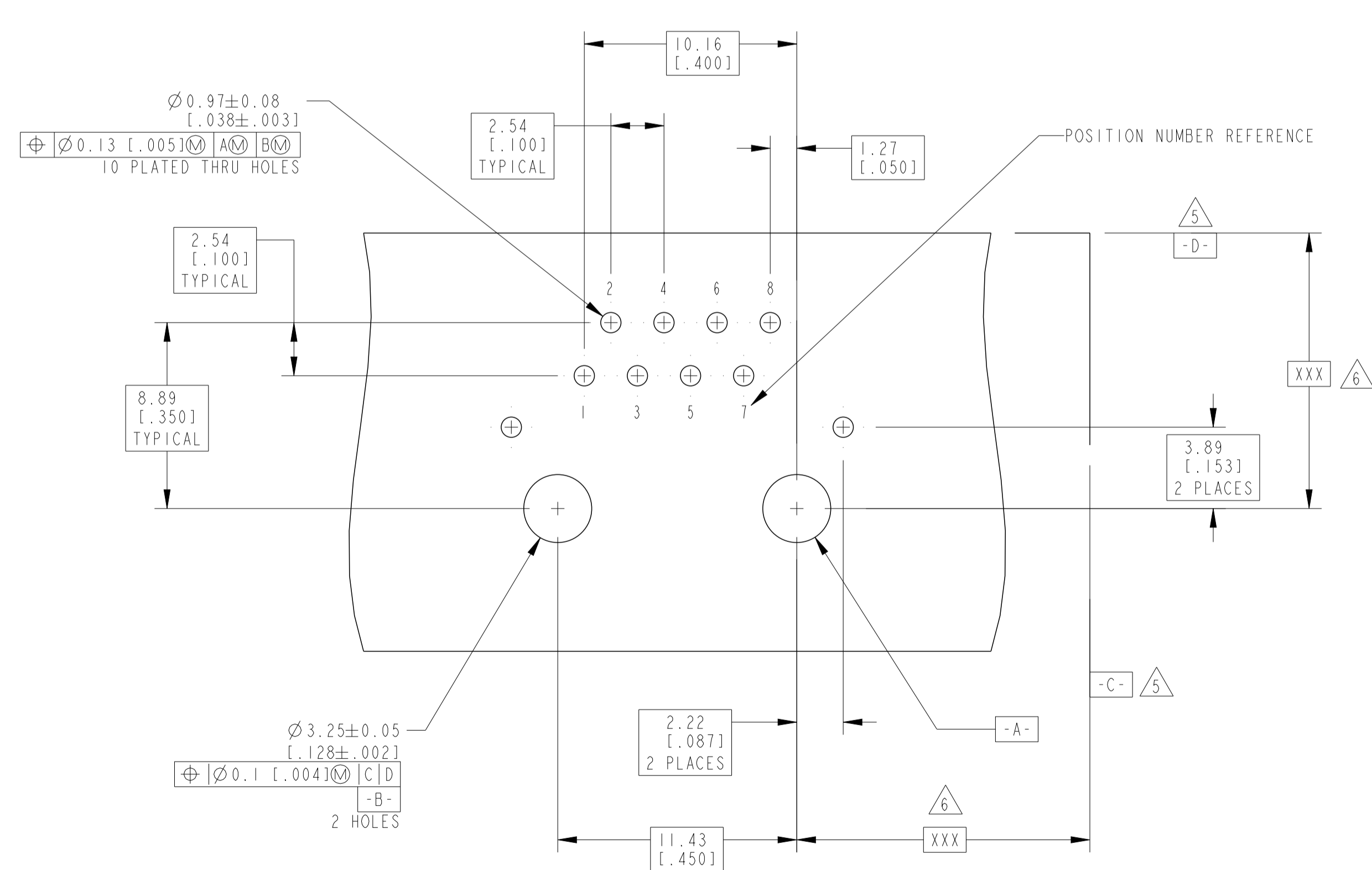


LOC	DIST	REVISIONS			
P	LTN	DESCRIPTION	DATE	DWN	APVD
C1		ECR-12-006114	11APR2012	JJ	AC



- 1 THERMOPLASTIC, COLOR-BLACK
- 2 PHOSPHOR BRONZE
- 3 1.27µm(.000050) MIN GOLD IN LOCALIZED GOLD PLATE AREA, 2µm(.000079) MIN MATTE TIN ON TERMINATION END, BOTH OVER 1.27µm(.000050) MIN NICKEL
- 4 CAVITY CONFORMS TO FCC 47 CFR 68 PART F
- 5 DATUMS ESTABLISHED BY CUSTOMER
- 6 DIMENSIONS ESTABLISHED BY CUSTOMER
- 7 COPPER ZINC ALLOY
- 8 2.03µm(.000080) MIN BRIGHT TIN OVER 1.27µm(.000050) MIN NICKEL
- 9 WITH IMPROVED CHAFMERS ON TERMINAL EDGES.
- 10 WITHOUT COMPENSATORY PLATE
- 11 LOOSE PIECE PN



RECOMMENDED
PRINTED CIRCUIT BOARD
LAYOUT
RECOMMENDED PRINTED CIRCUIT BOARD
THICKNESS 1.4[.055] MIN
COMPONENT SIDE OF PRINTED CIRCUIT BOARD

9 10 11	NATURAL	6368150-4
9 10	NATURAL	6368150-3
9	NATURAL	6368150-2
NORMAL	BLACK	6368150-1
DESCRIPTION	COLOR	PART NUMBER

THIS DRAWING IS A CONTROLLED DOCUMENT.

DIMENSIONS: mm [INCHES]

TOLERANCES UNLESS OTHERWISE SPECIFIED:

0 PLC	±	
1 PLC	±0.3	[.012]
2 PLC	±0.13	[.005]
3 PLC	±	
4 PLC	±	
ANGLES	±	

MATERIAL: HOUSING: 1 FINISH: SHELL: 8 CONTACTS: SHELL: 1 CONTACT: 3

OWN: V. SLACK/L. A. MAYER 13JUNE2005
 CHK: J. WESTMAN 13JUNE2005
 APVD: S. FLICKINGER 13JUNE2005

NAME: MODULAR JACK ASSEMBLY, VERTICAL JACK ASSEMBLY, THRU HOLE, SHIELDED, 8 POSITION

PRODUCT SPEC: 108-1163-6
 APPLICATION SPEC: 114-2158

SIZE: A1 CAGE CODE: 00779 DRAWING NO: 6368150

RESTRICTED TO: -

SCALE: 8:1 SHEET: 1 OF 1 REV: C1