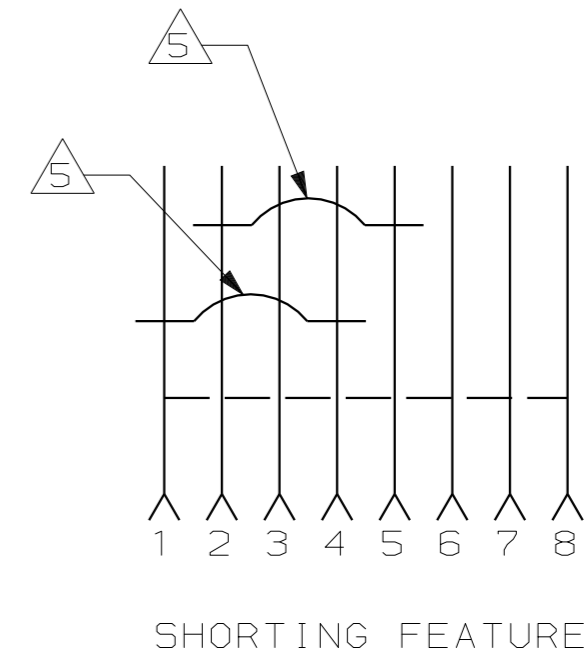
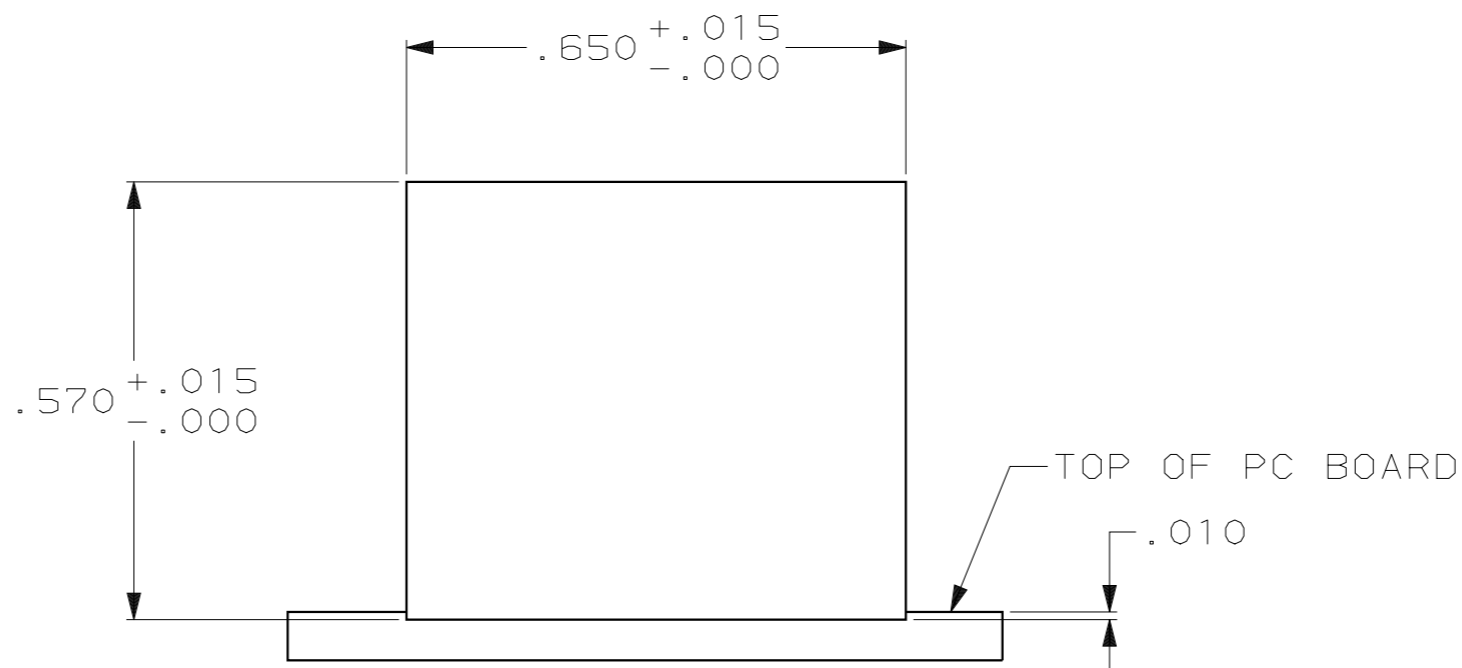
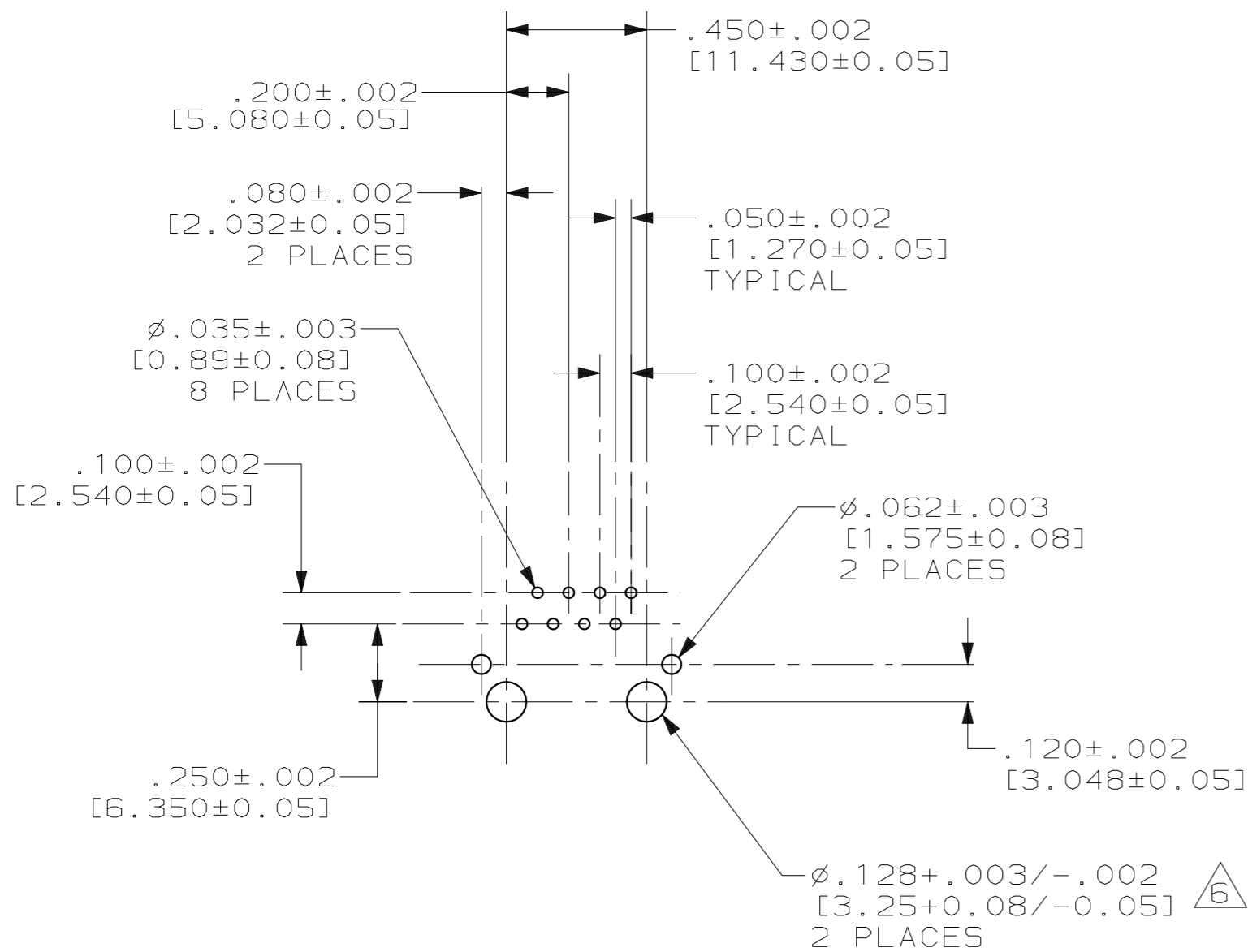
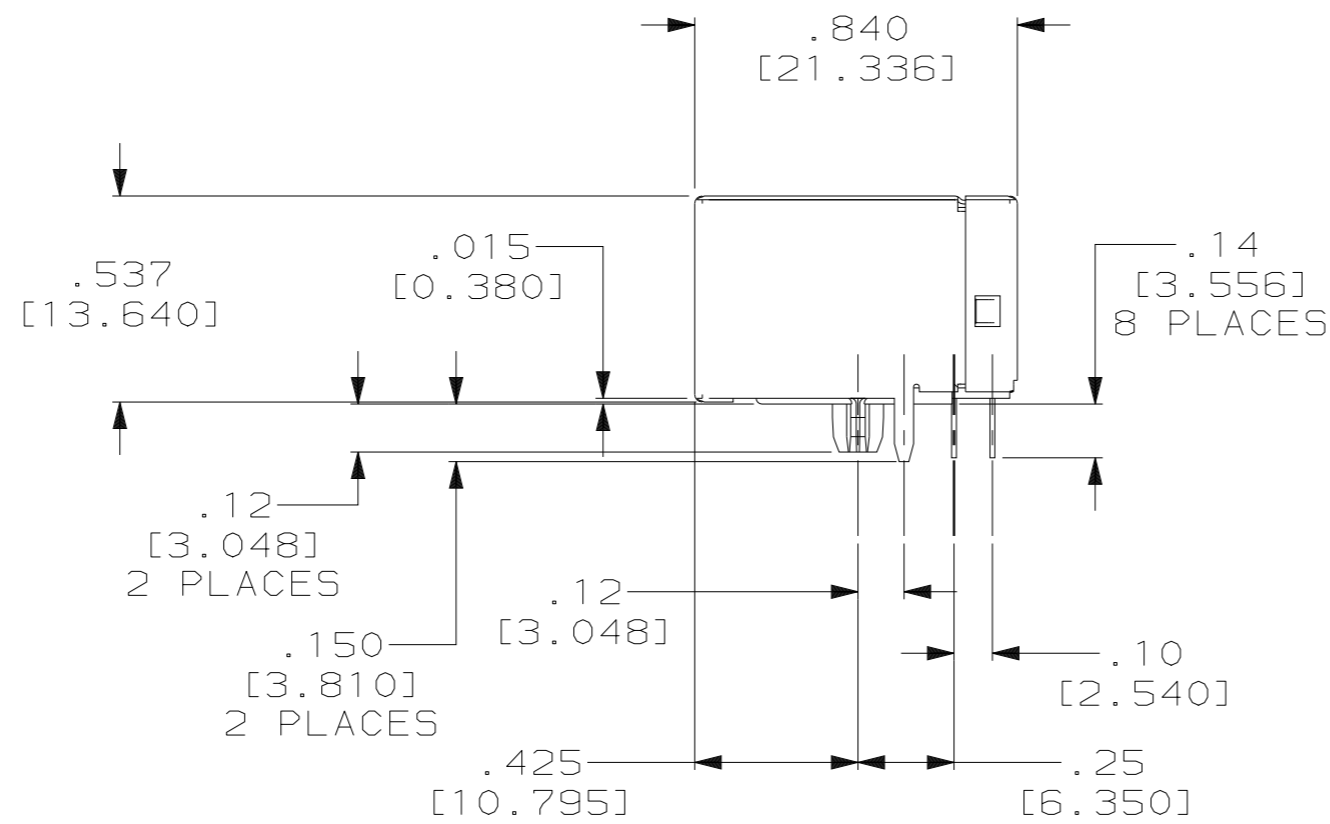
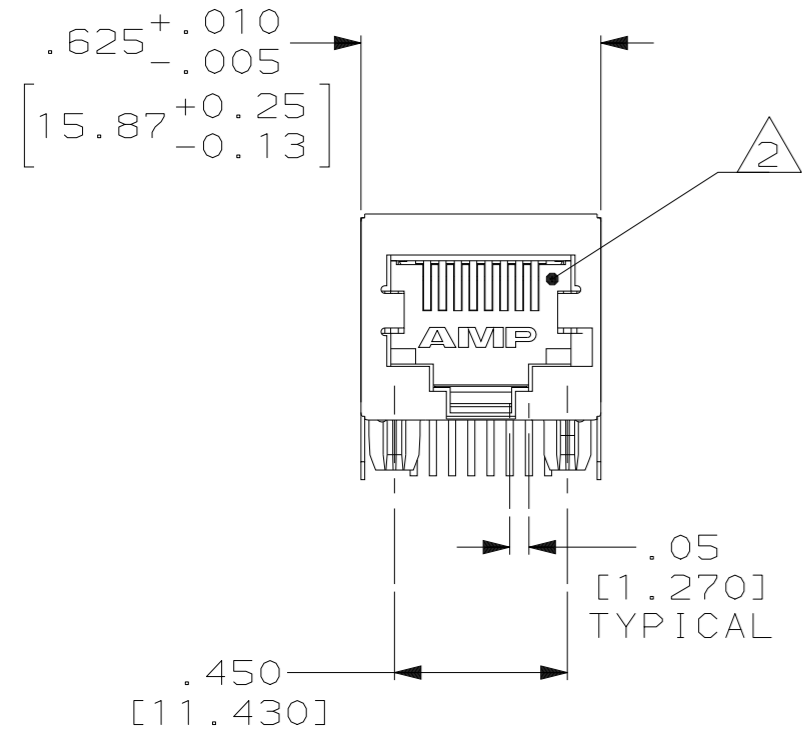


THIS DRAWING IS UNPUBLISHED. RELEASED FOR PUBLICATION
 BY AMP INCORPORATED. ALL RIGHTS RESERVED.

LOC	DIST	REVISIONS			
P	LTR	DESCRIPTION	DATE	DWN	APVD
AA	22	D	REVISED PER EC 0511-0140-03	26AUG03	DLD/BDK



- 1 MATERIAL: HOUSING - HIGH TEMPERATURE NYLON, BLACK, IR REFLOW COMPATIBLE, UL 94V-0. TERMINALS - .013[0.33] THICK PHOS BRONZE PLATED WITH .000050[1.27μm] MINIMUM THICK HARD GOLD IN LOCALIZED AREA AND .000150 [3.81μm] MINIMUM THICK TIN-LEAD IN SOLDER AREA OVER .000050[1.27μm] MINIMUM THICK NICKEL UNDERPLATE. SHIELDS - .010[0.254] THICK COPPER ALLOY PLATED WITH .000080[2.03μm] MINIMUM TIN-LEAD OVER .000100[2.54μm] MINIMUM COPPER.
- 2 JACK CAVITY CONFORMS TO FCC RULES AND REGULATIONS, PART 68 SUBPART F.
- 3. ALL DIMENSIONS SHOWN ARE NOMINAL UNLESS OTHERWISE SPECIFIED.
- 4. ALL DIMENSIONS SHOWN IN BRACKETS [] ARE IN MILLIMETERS.
- 5 SHORT IS REMOVED BY INSERTION OF MODULAR PLUG.
- 6 USE #30 DRILL BIT OR 3.25mm DRILL BIT WHEN PRODUCING THESE PCB HOLES.

SUGGESTED PC BOARD LAYOUT
COMPONENT SIDE

SUGGESTED PANEL CUTOUT
SCALE 4:1

SHORTING FEATURE

557789-1
PART NUMBER

THIS DRAWING IS A CONTROLLED DOCUMENT FOR AMP INCORPORATED. IT IS SUBJECT TO CHANGE AND THE CONTROLLING ENGINEERING ORGANIZATION SHOULD BE CONTACTED FOR THE LATEST REVISION.		DWN V. SLACK 30SEPT92	AMP Incorporated Harrisburg, PA 17105-3608	
DIMENSIONS: INCHES [mm]		CHK B. FOX 16NOV92	NAME MODULAR JACK ASSEMBLY, 8 POSITION RIGHT ANGLE, LOW PROFILE, SHORTING, SHIELDED, PC BOARD GROUND	
TOLERANCES UNLESS OTHERWISE SPECIFIED: 0 PLC ±- 1 PLC ±- 2 PLC ±.01 [0.254] 3 PLC ±.005 [0.127] 4 PLC ±- ANGLES ±- FINISH ±-		APVD G. REED 17NOV92	DRAWING NO C-557789	
MATERIAL		PRODUCT SPEC 108-1163	SIZE A2	CAGE CODE 00779
1		APPLICATION SPEC 114-2048	SCALE 2:1	SHEET 1 OF 1
		WEIGHT -	REV D	
		CUSTOMER DRAWING		

557789