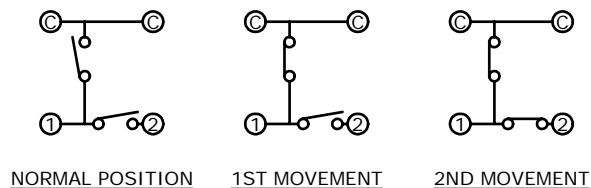
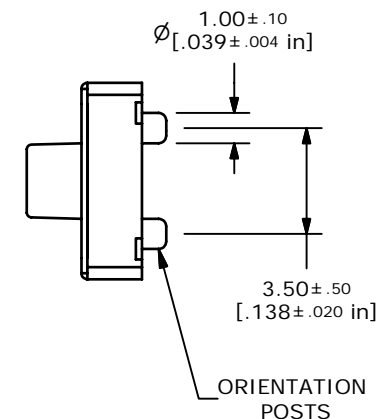
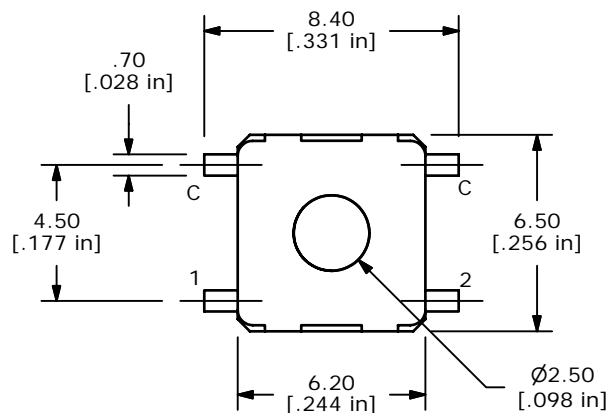


ISOMETRIC



CIRCUIT DIAGRAM



- NOTES:
1. ALL DIMENSIONS IN MM [INCH]
 2. GENERAL TOLERANCE: X.X=±0.4
X.XX=±0.3
 3. CONTACT RESISTANCE: 200mΩ MAX.
 4. RATING: 30VDC, 20mA
 5. STROKE: 1ST-0.30±0.10
2ND-0.55±0.15
 6. LIFE CYCLES: 10,000 MIN
 - ▲7. FORCES: 1ST- 100± 40gf
2ND- 250± 80gf
 8. 2002/95/EC (ROHS) COMPLIANT
 - ▲9. PACKAGING: TAPE AND REEL, 1200 PER REEL
 - 10.▲DENOTES CRITICAL DIMENSIONS
 11. CONTACT MATERIAL: SILVER

E-SWITCH®

B	16750	UPDATED NOTES	12/13/06	TN
A	16746	RELEASED FOR PRODUCTION	12/11/06	TN
REV	PCR NO	DESCRIPTION	DATE	BY

TITLE TL3350BF100Q				
SCALE	DATE	DR	DWG	REV
4:1	12/13/2006	TN	P010684	B

THE INFORMATION CONTAINED IN THIS DOCUMENT IS PROPRIETARY TO E-SWITCH AND IS NOT TO BE COPIED OR TRANSFERRED