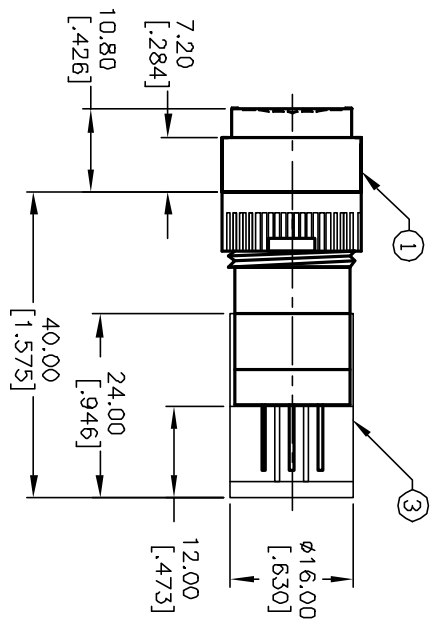
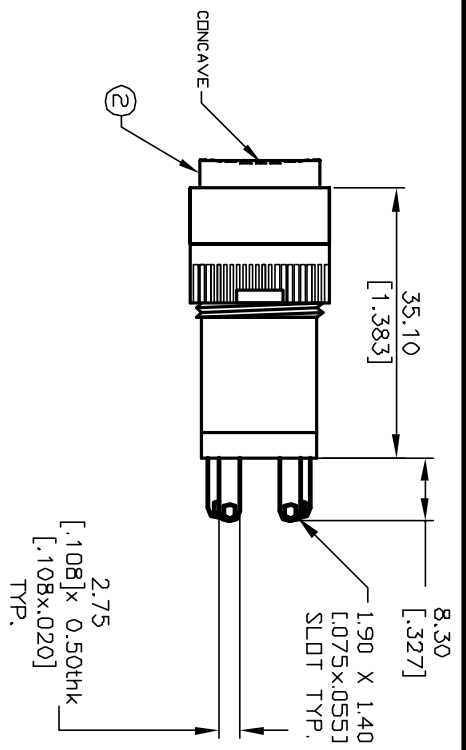
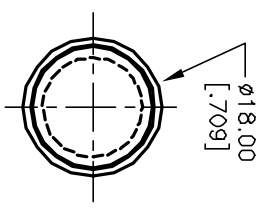


RECOMMENDED PANEL MOUNTING



1 0 1 0 2
3 0 0 4
a-D-b (+)

CONTACT CONFIGURATION

NOTES:

1. ALL DIMENSIONS IN MM [INCH]
2. GENERAL TOLERANCE: X.X=±0.4
X.XX=±0.25
3. TERM. NOS. FOR REFERENCE ONLY.
4. RATING: 5A@250V AC / 8A@125V AC
5. MECHANICAL LIFETIME: >2 MILLION OPERATIONS
6. TRAVEL: 3.0MM
7. CONTACT MATERIAL: COPPER ALLOY W/SILVER PLATING

PARTS LIST			
ITEM	QTY.	PART NO.	PART DESCRIPTION
1	1	F040014	P160AR11
2	1	F050102	50-001-02 (GREEN)
3	1	F051601	P16 PLASTIC TERMINAL PROTECTOR



REV. A		12956		RELEASED FOR PRODUCTION		3/24/03		AR	
REV. A		ECN No.		DESCRIPTION		DATE		CHKD	
TITLE: P160AR110GRN SCALE: 1.5:1 DATE: 3/24/03 DR: AR DWG: XF0205P REV: A									
THE INFORMATION CONTAINED IN THIS DOCUMENT IS PROPRIETARY TO E-SWITCH AND IS NOT TO BE COPIED OR TRANSFERRED									