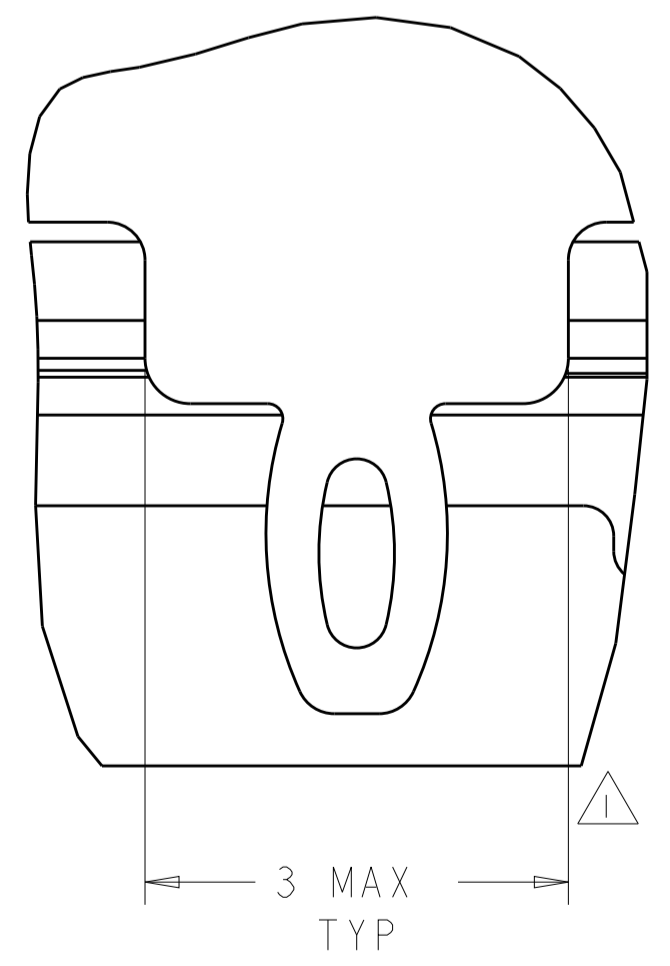
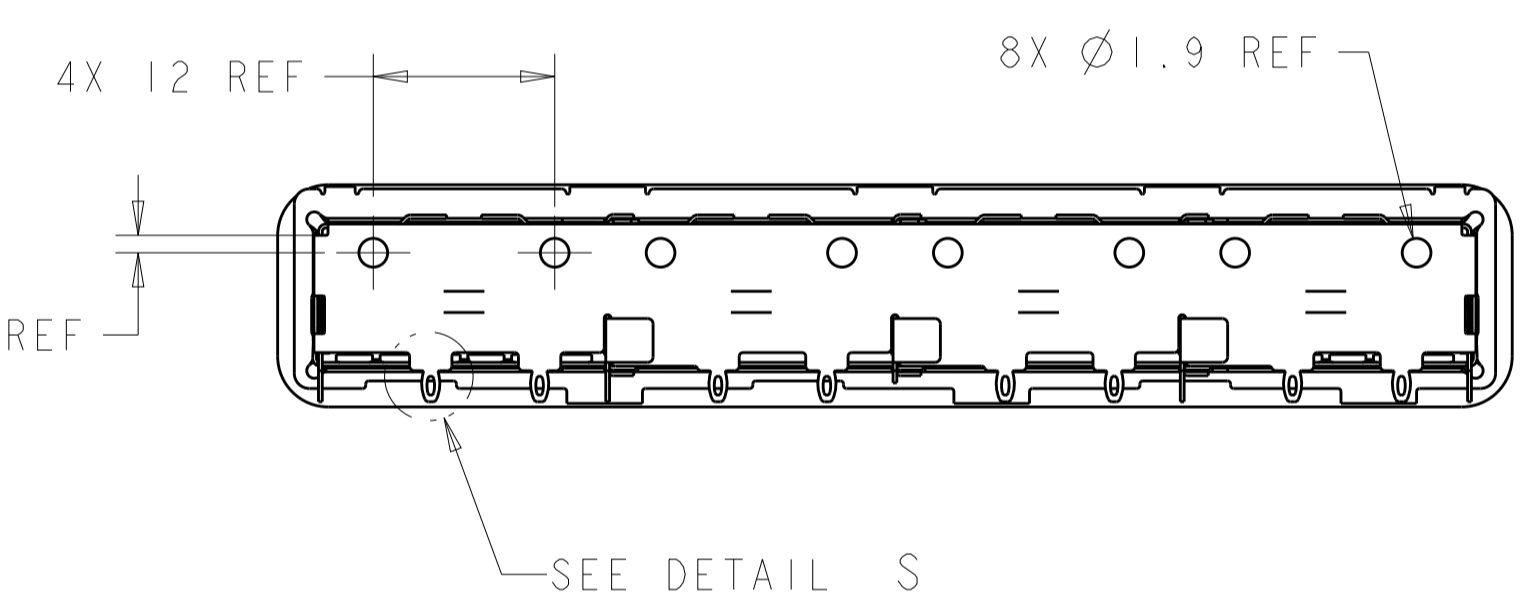
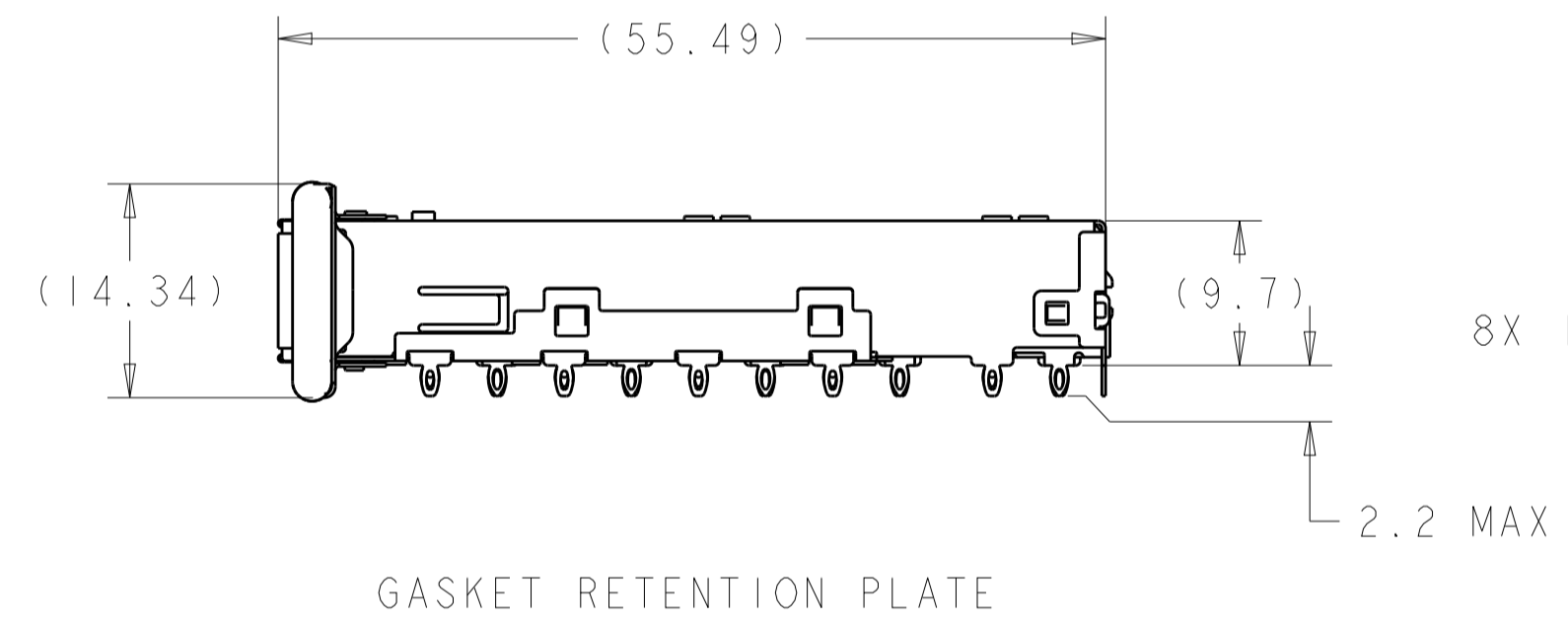
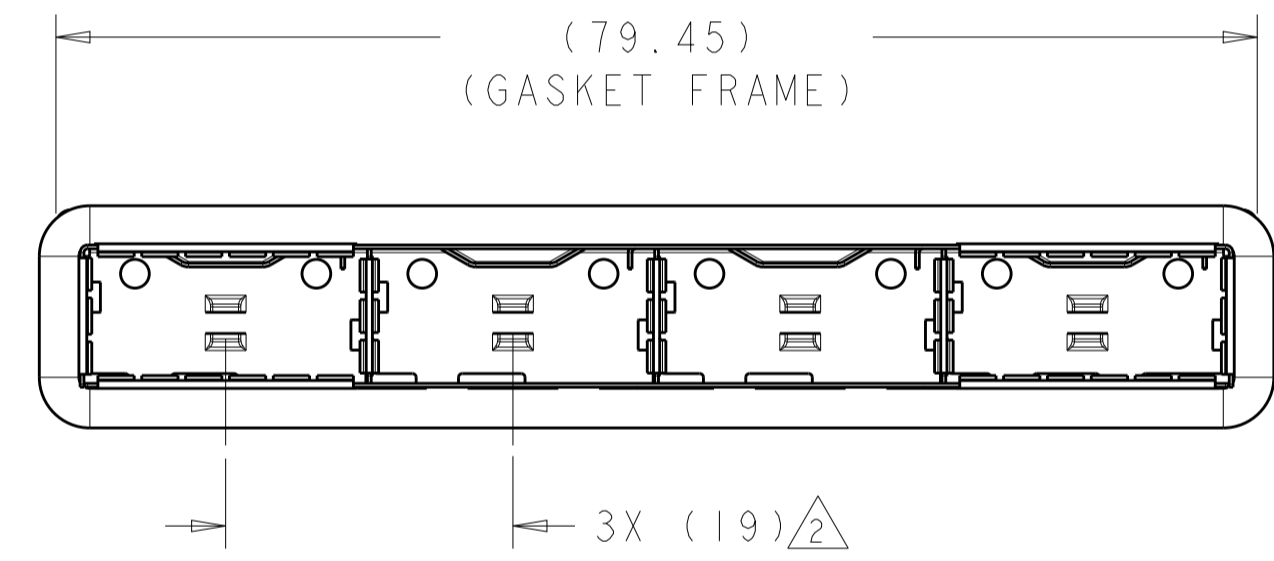
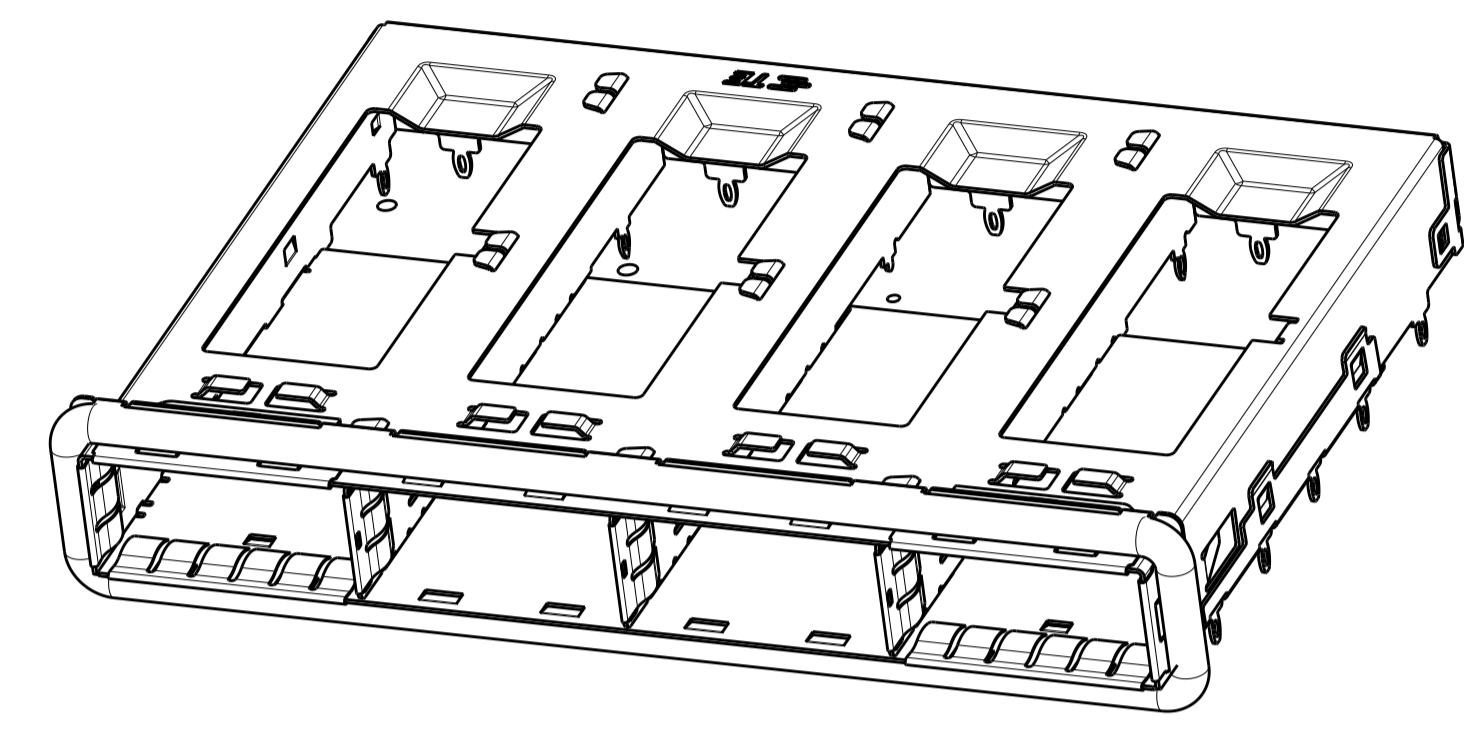
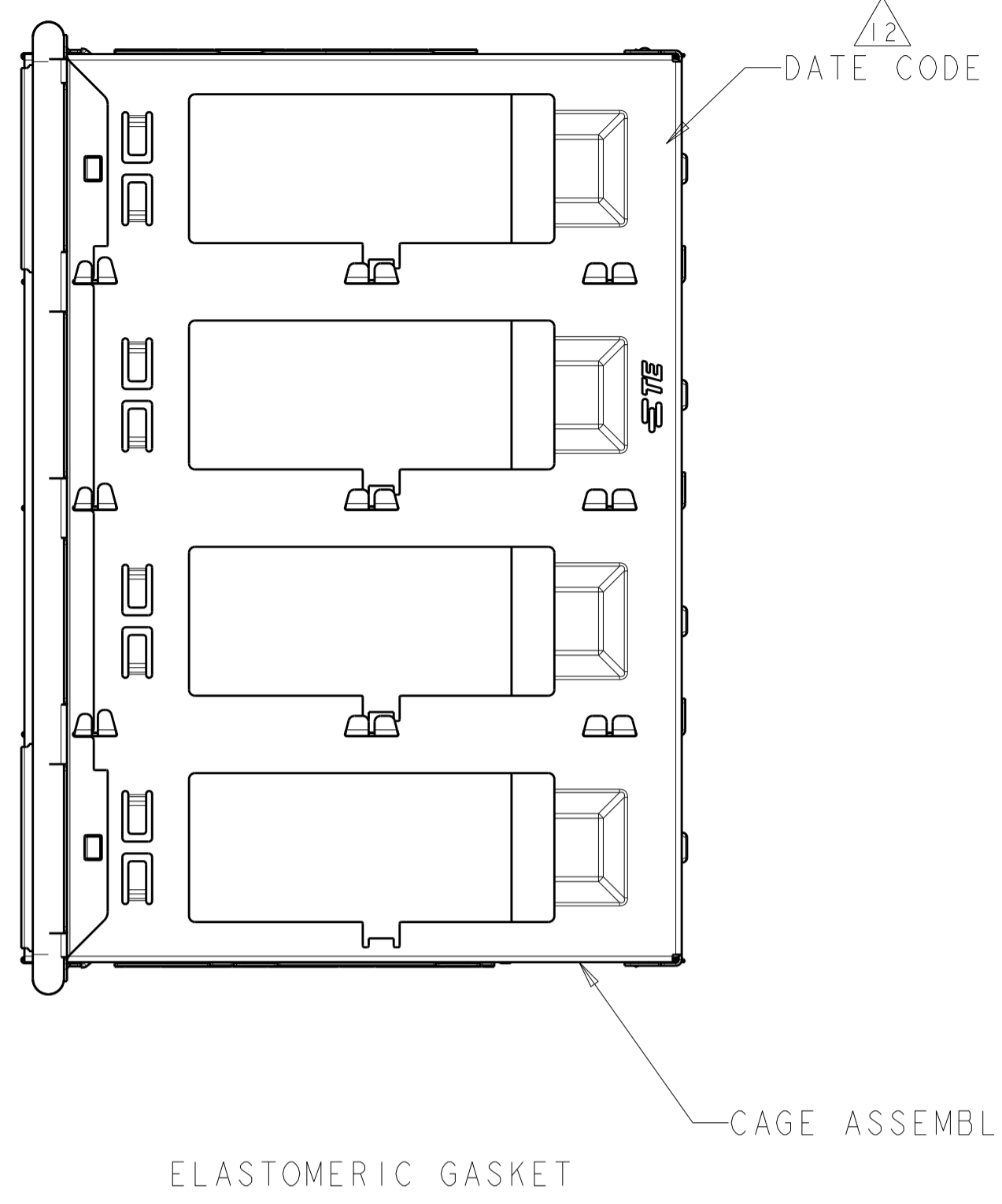
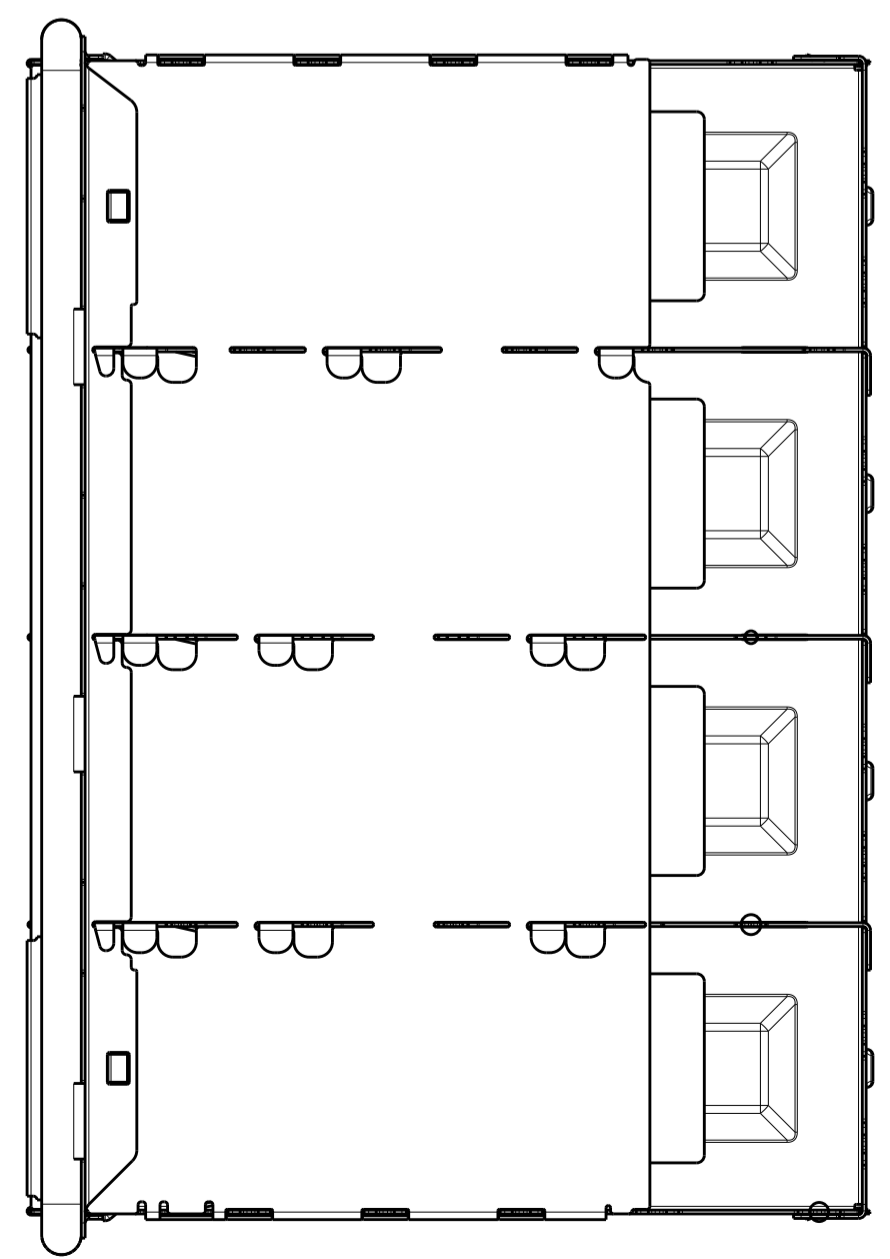


LOC		DIST		REVISIONS			
GP	00	P	LTH	DESCRIPTION	DATE	DWN	APVD
		A		RELEASE TO ACTIVE	1NOV2016	RG	SH

- 1 SURFACE TRACES PERMITTED WITHIN THIS AREA EXCEPT WHERE CAGE STANDOFFS, SHOWN IN DETAIL S, CONTACT PC BOARD.
- 2 PITCH BETWEEN PORTS OF ONE 1X4 CAGE.
- 3 SPACING BETWEEN CAGES ON THE SAME PC BOARD. TO BE SPECIFIED BY CUSTOMER, MUST COMPLY WITH MINIMUM DIMENSIONS SHOWN.
- 4 REFERENCE APPLICATION SPEC 114-13217 FOR RECOMMENDED DRILL HOLE DIAMETER AND PLATING THICKNESS.
- 5 UNPLATED THRU HOLE.
- 6 DATUM AND BASIC DIMENSION ESTABLISHED BY CUSTOMER.
- 7 DATUM -A- IS TOP SURFACE OF THE HOST BOARD.
- 8 DIMENSION C IS THE NOMINAL THICKNESS OF CUSTOMER SUPPLIED PC BOARD. MINIMUM PC BOARD THICKNESS:  
 SINGLE SIDED: 1.45mm  
 DOUBLE SIDED: 5.0mm PER CUSTOM
- 9. MATES WITH QSFP MSA COMPATIBLE TRANSCEIVER.
- 10 BASELINE FOR THE DIMENSION IS CENTER OF COMPLIANT PIN HOLE.
- 11 LED ON HOST BOARD. QUANTITY, POSITION, AND GEOMETRY DEPENDS ON CHOICE OF LIGHT PIPES.
- 12 DATE CODE (YYWW) MARKED APPROXIMATELY AS SHOWN.
- 13 REFERENCE APP SPEC 114-13217 FOR GASKET THICKNESS CALCULATION.
- 14 MATERIAL:  
 CAGE ASSEMBLY: NICKEL SILVER, 0.25 THICK  
 EMI SPRINGS: COPPER ALLOY  
 GASKET PLATE: STAINLESS STEEL
- 15 FINISH:  
 EMI SPRINGS: TIN PLATING OVER NICKEL



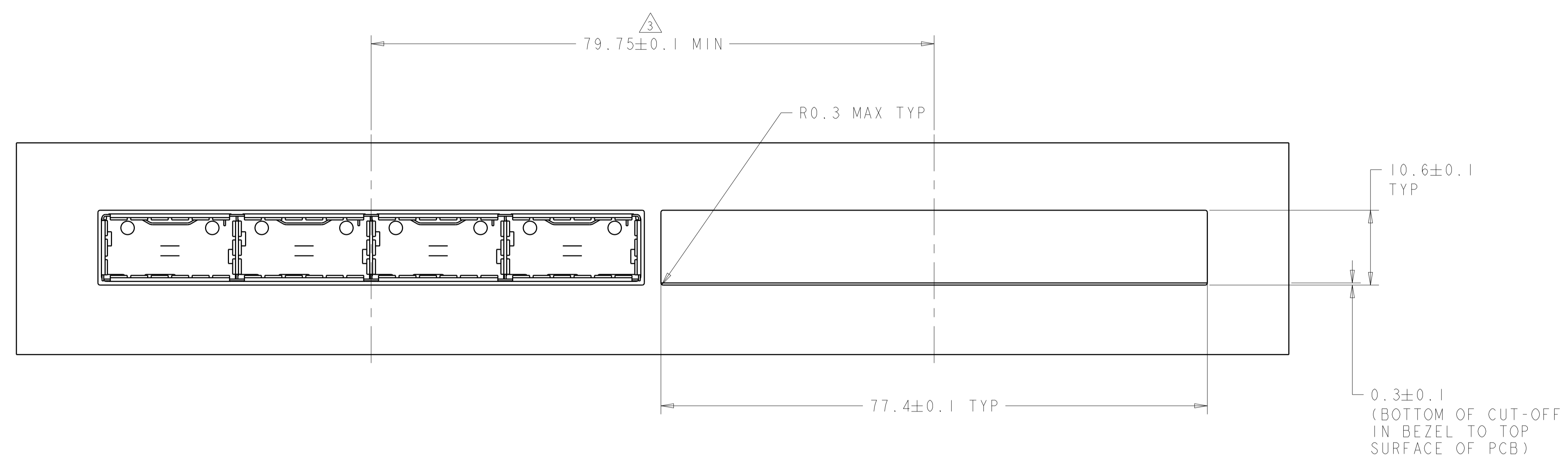
DETAIL S  
SCALE 20:1



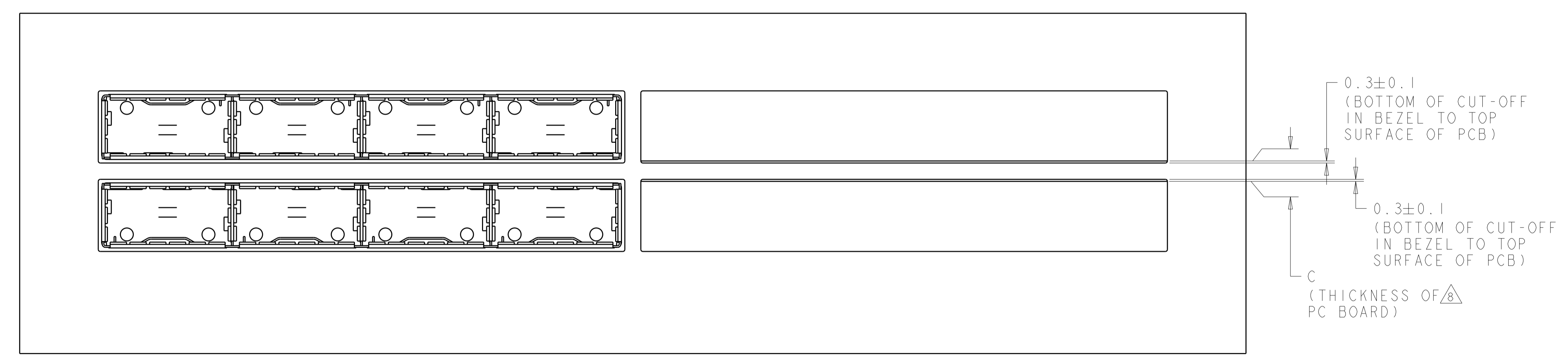
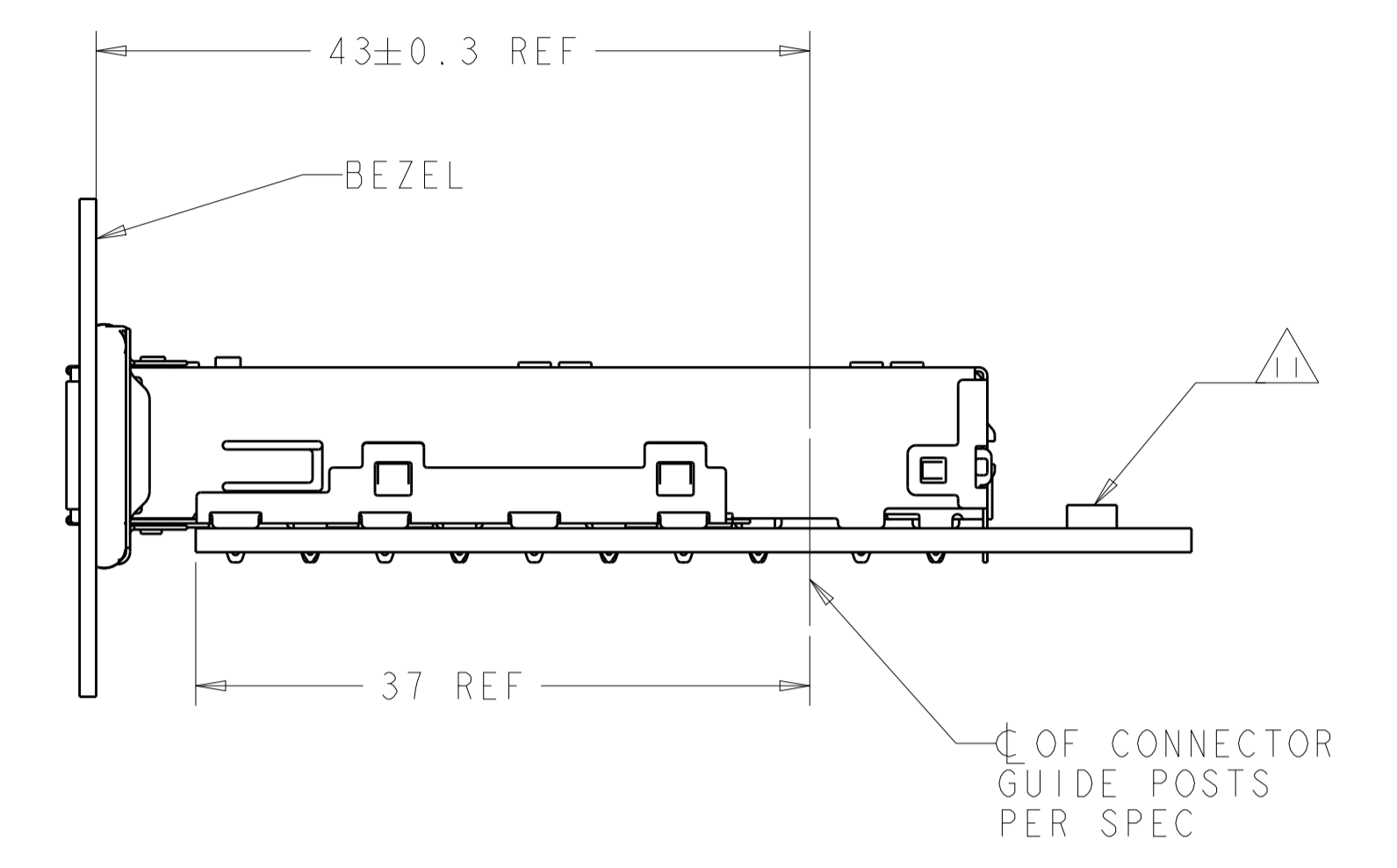
2170288-1  
PART NUMBER

THIS DRAWING IS A CONTROLLED DOCUMENT.		DWN: KINSEN SUN 05MAR2012	TE Connectivity
DIMENSIONS: mm		CHK: DENNY ZHU 05MAR2012	
TOLERANCES UNLESS OTHERWISE SPECIFIED:		APVD: AILEY CAI 05MAR2012	NAME: 1X4 CAGE ASSEMBLY, THRU BEZEL, W/ ELASTOMERIC GASKET, QSFP
0 PLC ±	1 PLC ±0.25	PRODUCT SPEC: 108-2286	SIZE: CAGE CODE DRAWING NO: A100779C=2170288
2 PLC ±0.15	3 PLC ±	APPLICATION SPEC: 114-13217	RESTRICTED TO: -
4 PLC ±	ANGLES ±	WEIGHT: -	SCALE: 2:1 SHEET 1 OF 4 REV A
MATERIAL: 14	FINISH: 15	CUSTOMER DRAWING	

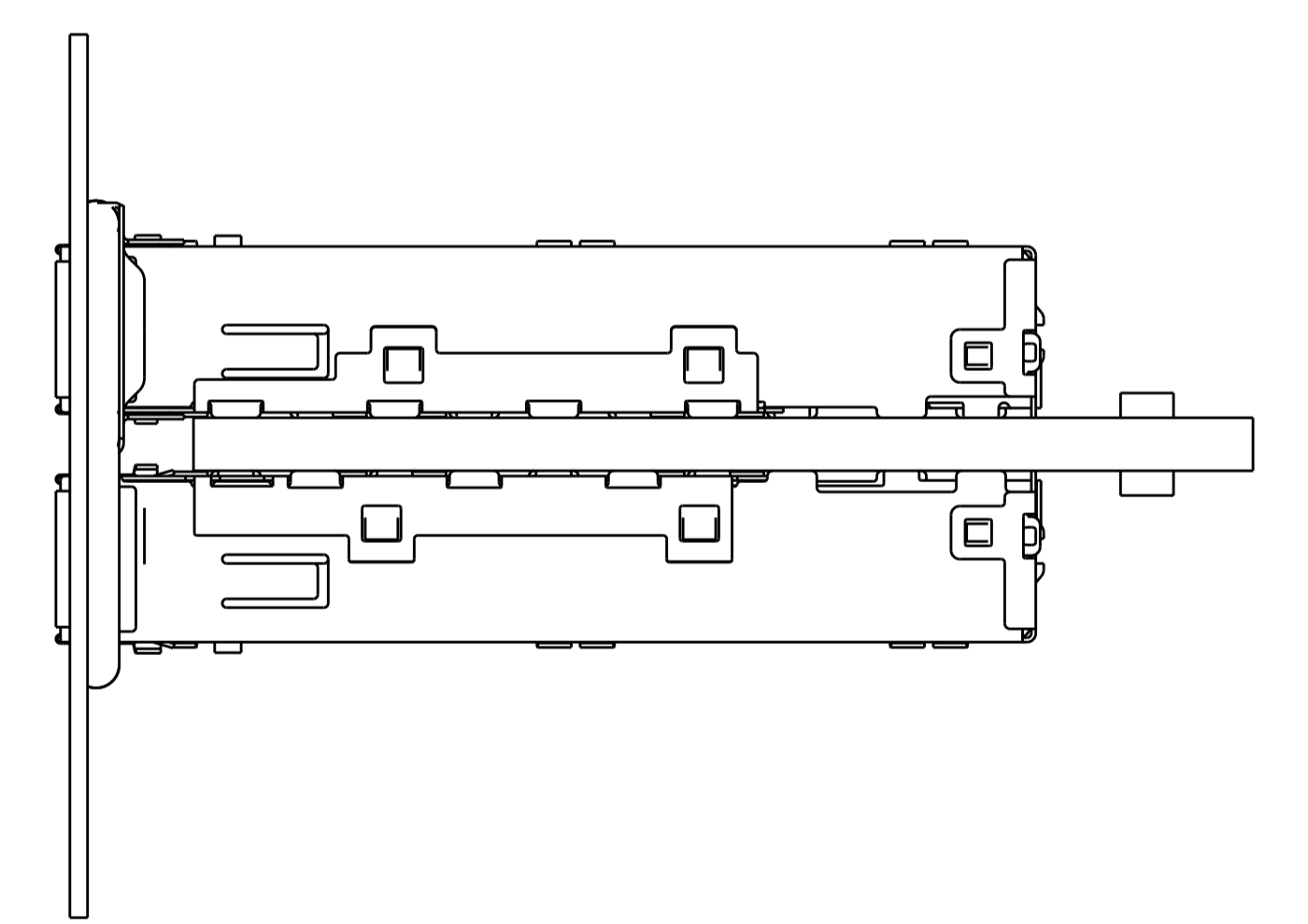
LOC		DIST		REVISIONS			
GP	00	P	LTN	DESCRIPTION	DATE	DMN	APVD
-	-	-	-	SEE SHEET 1	-	-	-



ONE SIDED CONFIGURATION  
 SCALE 5:2

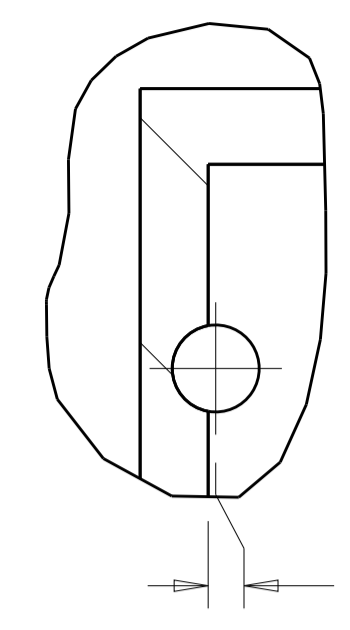


BELLY TO BELLY CONFIGURATION SIMILAR  
 TO ONE SIDED EXCEPT WHERE NOTED  
 SCALE 5:2

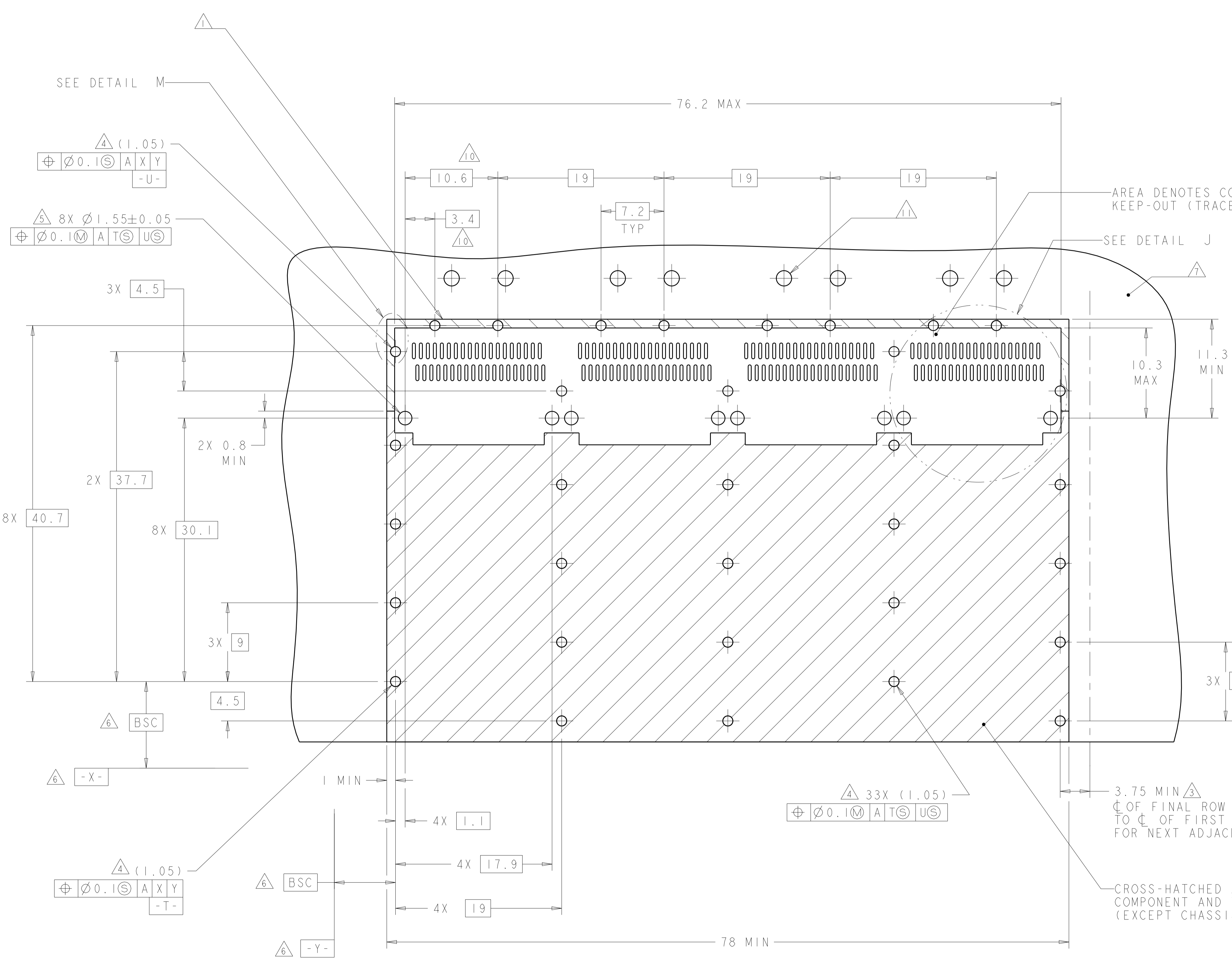


THIS DRAWING IS A CONTROLLED DOCUMENT.		DMN KINSEN SUN 05MAR2012	TE Connectivity
DIMENSIONS:		CHK DENNY ZHU 05MAR2012	
mm	TOLERANCES UNLESS OTHERWISE SPECIFIED:	APVD ALEX CAI 05MAR2012	NAME 1X4 CAGE ASSEMBLY, THRU BEZEL, W/ ELASTOMERIC GASKET, QSFP
0 PLC	±	PRODUCT SPEC	SIZE 114-13217
1 PLC	±0.25	APPLICATION SPEC	RESTRICTED TO
2 PLC	±0.15	WEIGHT	A100779C=2170288
3 PLC	±	CUSTOMER DRAWING	SCALE 2:1 SHEET 2 OF 4 REV A
4 PLC	±		
ANGLES	±		
FINISH	±		

LOC	DIST	REVISIONS				
GP	00	P. LTH	DESCRIPTION	DATE	DWN	APVD
-	-	-	SEE SHEET 1	-	-	-



DETAIL M  
SCALE 10:1

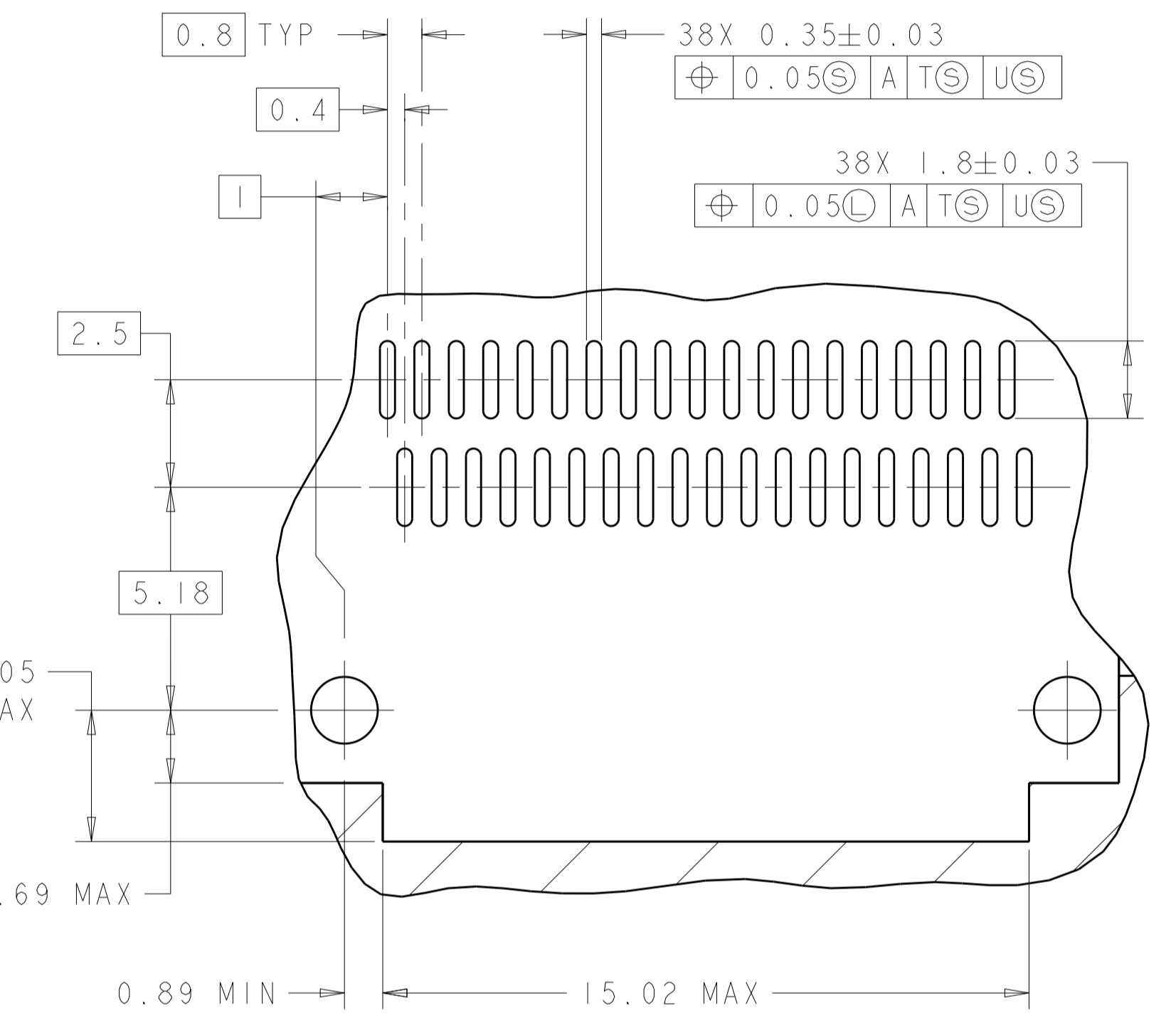


AREA DENOTES COMPONENT KEEP-OUT (TRACES PERMITTED)

SEE DETAIL J

3.75 MIN  $\Delta$   
 $\phi$  OF FINAL ROW OF HOLES TO  $\phi$  OF FIRST ROW OF HOLES FOR NEXT ADJACENT CAGE.

CROSS-HATCHED AREA DENOTES COMPONENT AND TRACE KEEP-OUT (EXCEPT CHASSIS GROUND)

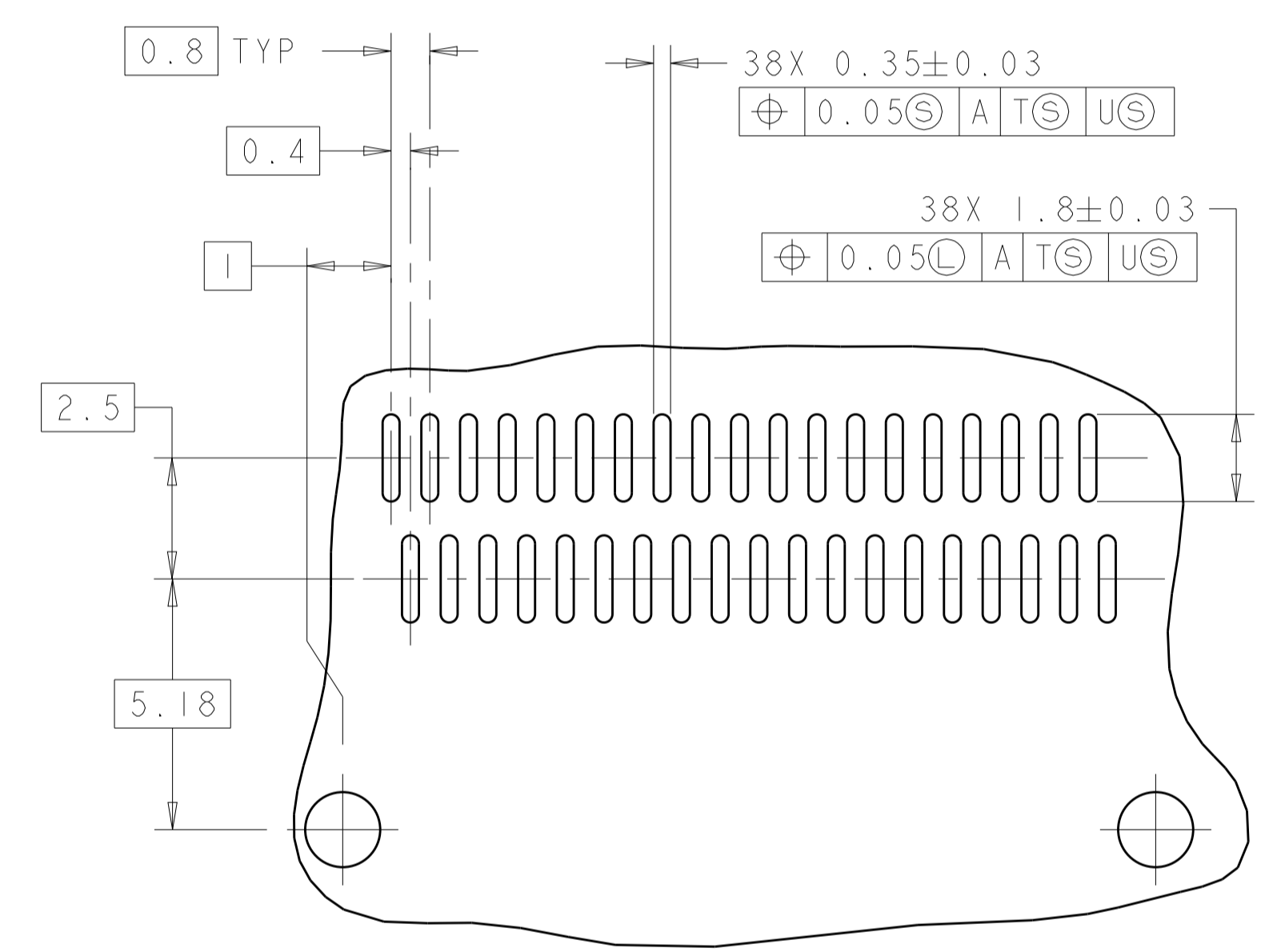
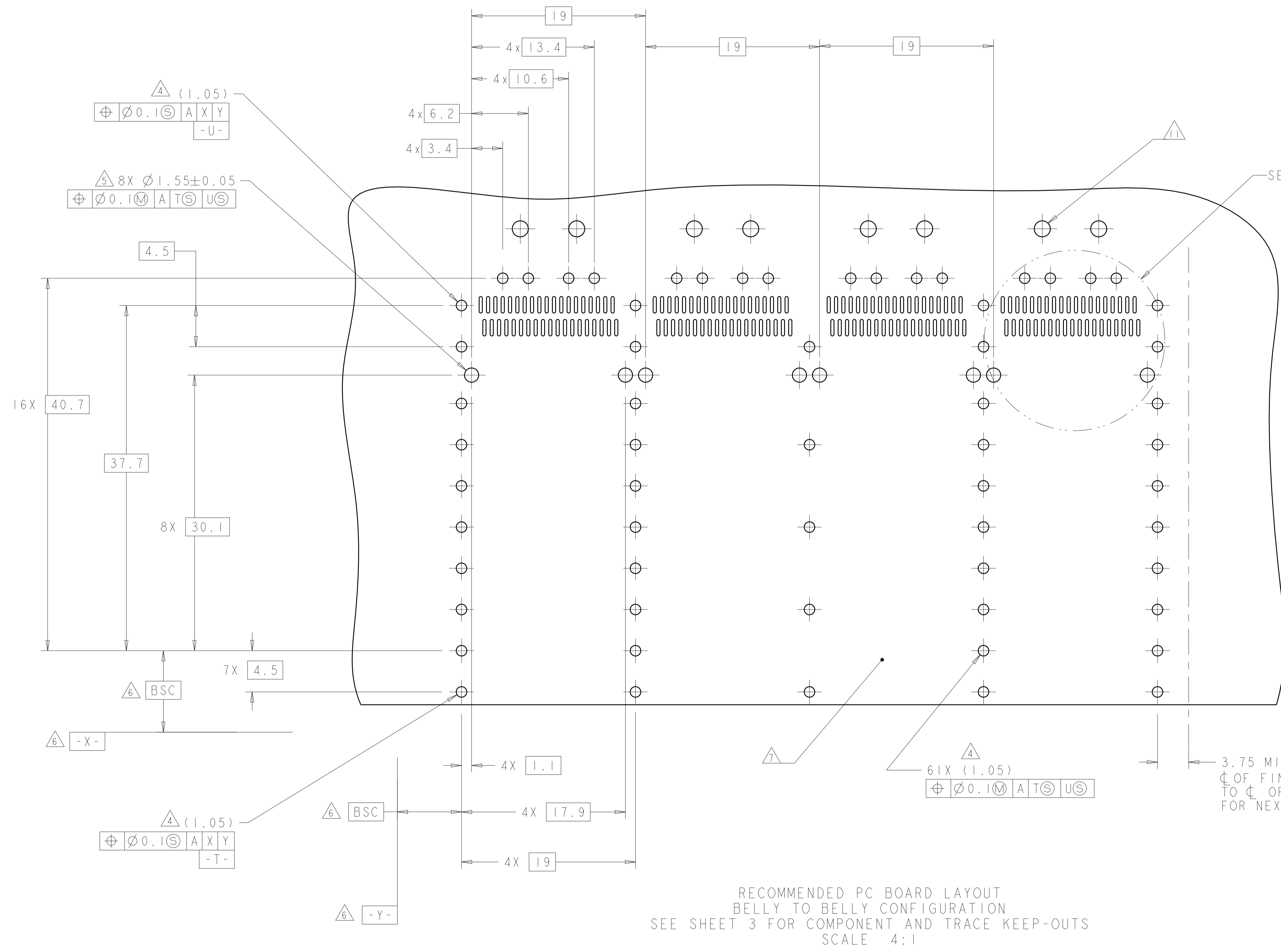


DETAIL J  
4 PLACES  
SCALE 8:1

RECOMMENDED PC BOARD LAYOUT  
 SINGLE SIDE MOUNT CONFIGURATION  
 SCALE 4:1

THIS DRAWING IS A CONTROLLED DOCUMENT.		DWN: RINSEN SUN 05MAR2012	TE Connectivity
DIMENSIONS: mm		CHK: DENNY ZHU 05MAR2012	
TOLERANCES UNLESS OTHERWISE SPECIFIED:		APVD: AILEY CAI 05MAR2012	NAME: 1X4 CAGE ASSEMBLY, THRU BEZEL, W/ ELASTOMERIC GASKET, QSFP
0 PLC	±	PRODUCT SPEC	SIZE: 108-2286
1 PLC	±0.10	APPLICATION SPEC	RESTRICTED TO
2 PLC	±0.05	114-13217	A100779C=2170288
3 PLC	±	WEIGHT	SCALE 2:1 SHEET 3 OF 4 REV A
4 PLC	±	CUSTOMER DRAWING	
ANGLES	±		
FINISH	±		

LOC	DIST	REVISIONS			
P	LTN	DESCRIPTION	DATE	DWN	APVD
-	-	SEE SHEET 1	-	-	-



RECOMMENDED PC BOARD LAYOUT  
 BELLY TO BELLY CONFIGURATION  
 SEE SHEET 3 FOR COMPONENT AND TRACE KEEP-OUTS  
 SCALE 4:1

THIS DRAWING IS A CONTROLLED DOCUMENT.		DWN: KINSEN SUN 05MAR2012	TE Connectivity
DIMENSIONS: mm		CHK: DENNY ZHU 05MAR2012	
TOLERANCES UNLESS OTHERWISE SPECIFIED:		APVD: AILEY CAI 05MAR2012	NAME: 1X4 CAGE ASSEMBLY, THRU BEZEL, W/ ELASTOMERIC GASKET, QSFP
0 PLC ± 1 PLC ±0.10 2 PLC ±0.05 3 PLC ± 4 PLC ± ANGLES ±		PRODUCT SPEC: 108-2286	
MATERIAL: -		APPLICATION SPEC: 114-13217	SIZE: A1
FINISH: -		WEIGHT: -	CAGE CODE: 2170288
CUSTOMER DRAWING		SCALE: 2:1	SHEET 4 OF 4 REV A