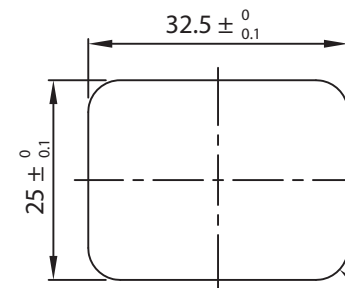
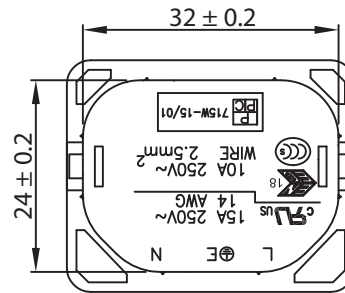
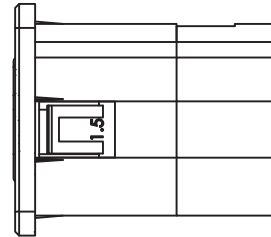
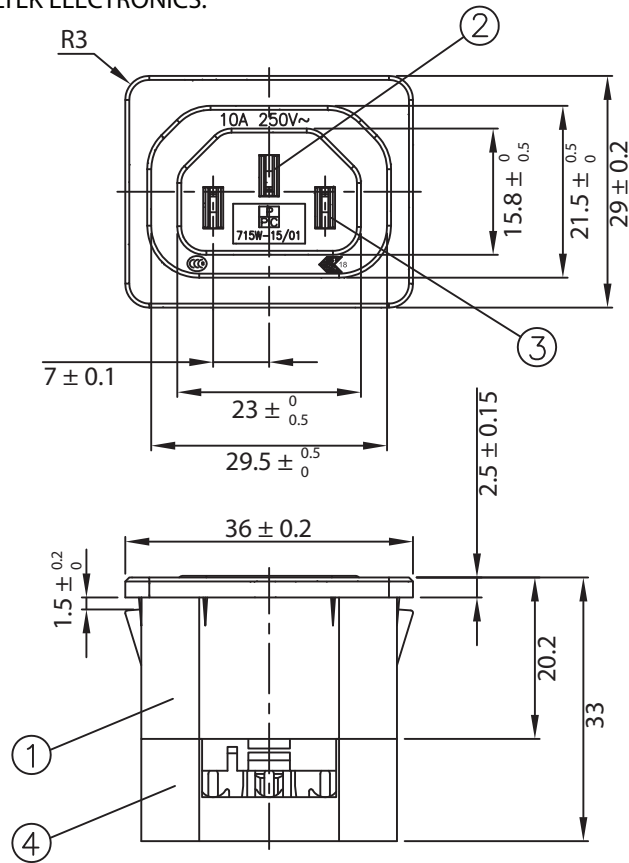
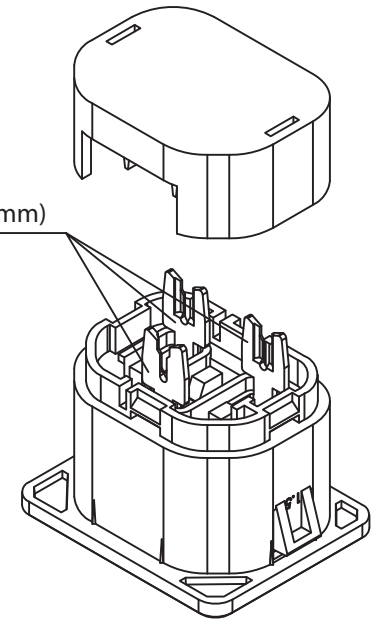


THESE DRAWINGS ARE THE PROPERTY OF QUALTEK ELECTRONICS AND NOT TO BE REPRODUCED FOR OR COMMUNICATED TO A THIRD PARTY WITHOUT THE EXPRESS WRITTEN PERMISSION OF AN OFFICER OF QUALTEK ELECTRONICS.



USE 14AWG OR 2.5mm²
SOLID COPPER WIRE ONLY
(WIRE DIAMETER 1.6~1.75mm)



PANEL CUTOUT R4MAX **CONTROLLED**

NOTES:

RATING:

UL, cUL: 15A 250V AC

ENEC, CCC: 10A 250V AC

APPROVALS: UL, cUL, ENEC, CCC

PANEL THICKNESS: 1.5mm

PRODUCT SHIPPED UNASSEMBLED

RoHS COMPLIANT

4	Cover back of the body, PC Black Color	1
3	Contact PIN Brass Strip t=0.8mm Tin-Plated	1
2	Contact PIN Brass Strip t=0.8mm Tin-Plated	2
1	Body Insulator PC Black Color	1

Dim range (mm)	Tolerance +/- (mm)	Qualtek Electronics Corp. PPC DIVISION		
		Part Number: 715W-15/01	RoHS Compliant	
0-1	0.30	Description: AC RECEPTACLE		
1-6	0.40			
6-18	0.45	UNIT: mm		
18-50	0.50	Drawn / Date	Checked / Date	Approved / Date
50-120	0.70	R. Nuti 07-12-16	07-12-16	LY / 07-12-16
120-250	0.90			
250-500	1.20			