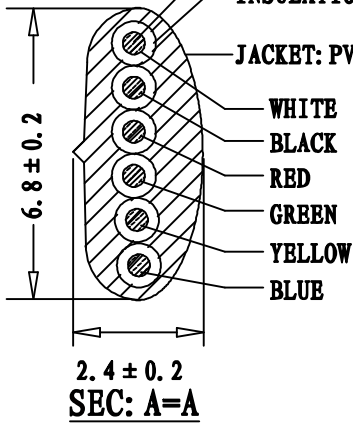


PACKAGE: INDIVIDUAL PE BAG.

CONDUCTOR: [26AWG (0.12X12) BARE COPPER] X6C  
INSULATION: [PP6331 ID: 0.95-1.0] X6C

JACKET: PVC NOUL 80P (flexible material)



NOTE FOR PLUG:  
MATERIAL: HOUSING-POLYCARBONATE, CLEAR.  
TERMINAL-0.36 [.014] THICK PHOSPHOR BRONZE.  
THICK GOLD IN LOCALIZED GOLD PLATE.  
AREA, GOLD FLASH OVER THE REMAINDER.  
OVER 2.54um [.000100] THICK NICKEL  
UNDERPLATE.

P1	P2
1	6
2	5
3	4
4	3
5	2
6	1

PART NO	DRAWING NO	BUYER COLOR	VENDOR COLOR	RETRACTED LENGTH ("L3")	CUSTOMER Accepted ("L2")	CUT LENGTH "L2"
520-26-6600-BL-0005F	A	BLACK	BLACK LIGHT	540 ± 50	5.0FT-5.75FT	2600-2700
520-26-6600-BL-0007F	B	BLACK	BLACK LIGHT	740 ± 50	7.0FT-8.05FT	3700-3900
520-26-6600-BL-0010F	C	BLACK	BLACK LIGHT	1000 ± 50	10.0FT-11.5FT	5000-5200
520-26-6600-BL-0012F	D	BLACK	BLACK LIGHT	1300 ± 50	12.0FT-13.8FT	6400-6600
520-26-6600-BL-0014F	E	BLACK	BLACK LIGHT	1350 ± 50	14.0FT-16.1FT	6900-7100
520-26-6600-BL-0025F	F	BLACK	BLACK LIGHT	3400 ± 50	25.0FT-28.75FT	13200-13400

REVISE	VERSION	BASIS	CONTENTS
12-02-20	A/0	T0210A	NEW DRAWING

CnC Tech, LLC Industrial Cable and Connector Technology		
IDRAWING NO:	671-302	CUSTOMER: L-671
ITEM NO:	6C COILD CORD P+P PLUG	UNIT: mm
DATE:	2012-02-20	ISSUE: (A/0)
DRAWN:	QE:	QA:
SALES DEPT:	SALES MANAGER:	