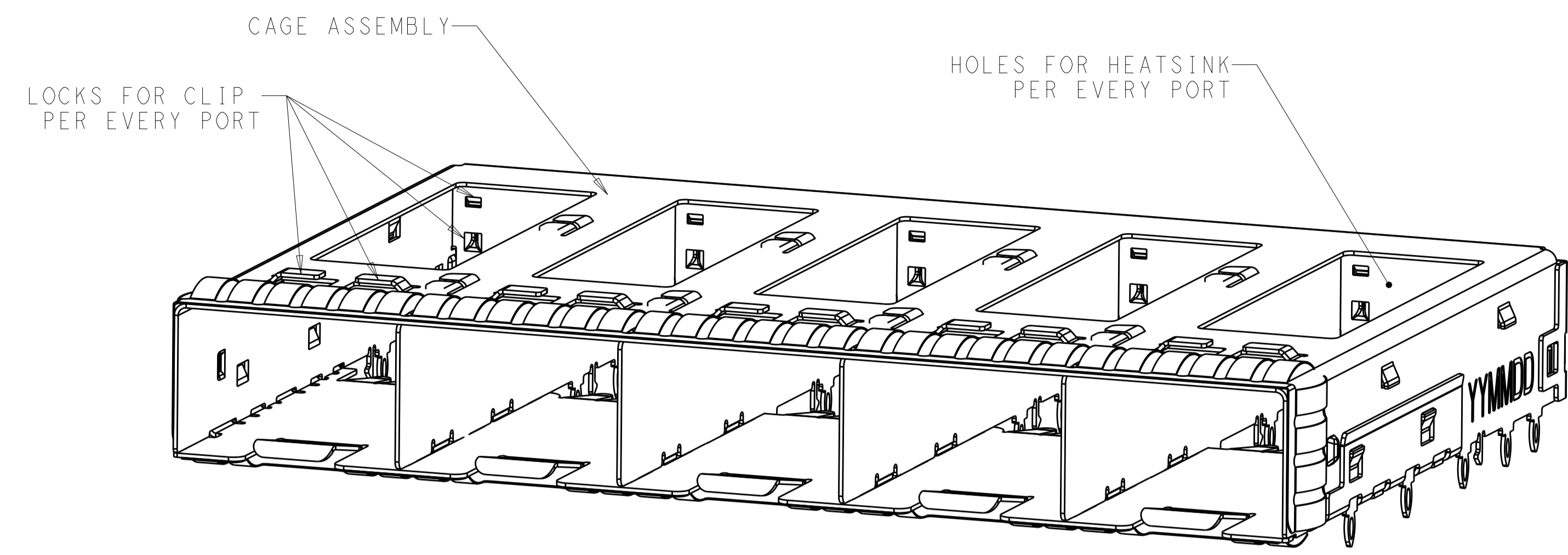
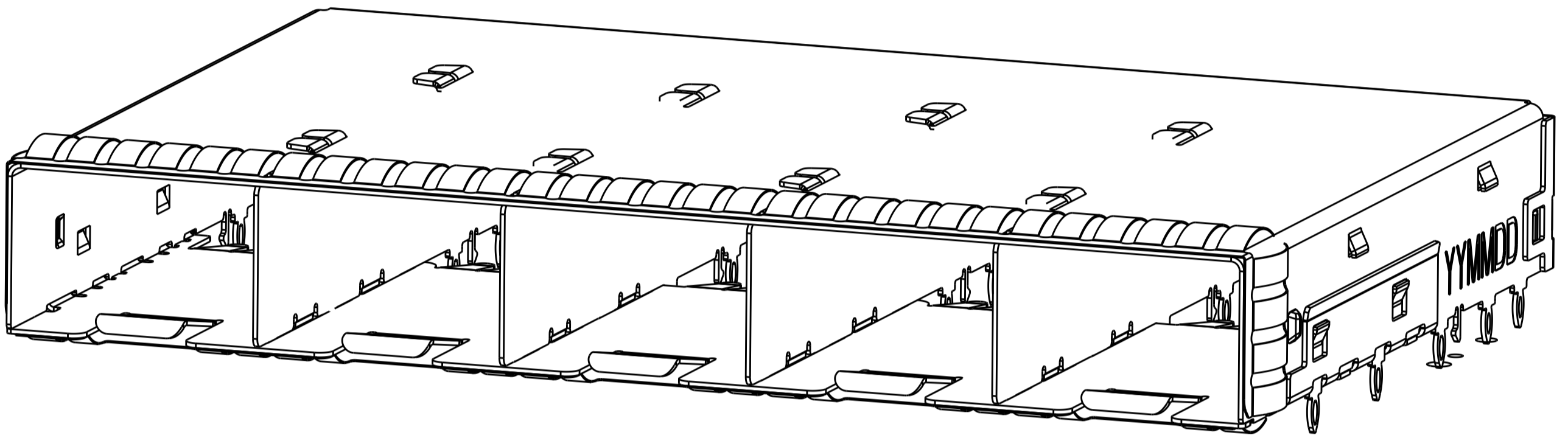


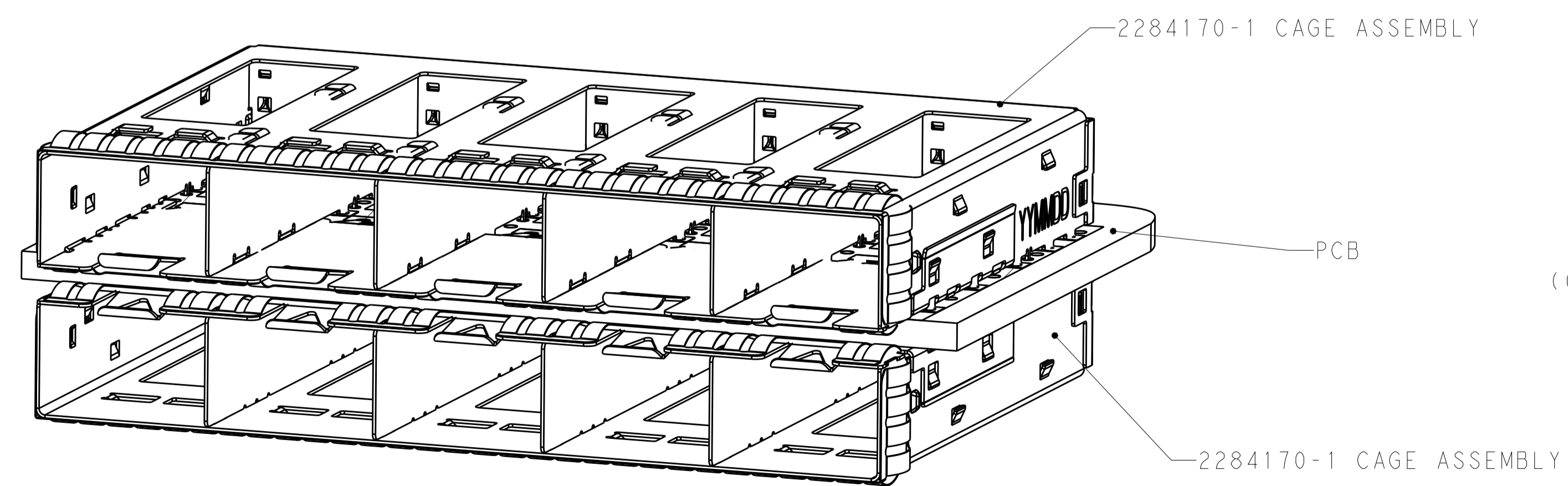
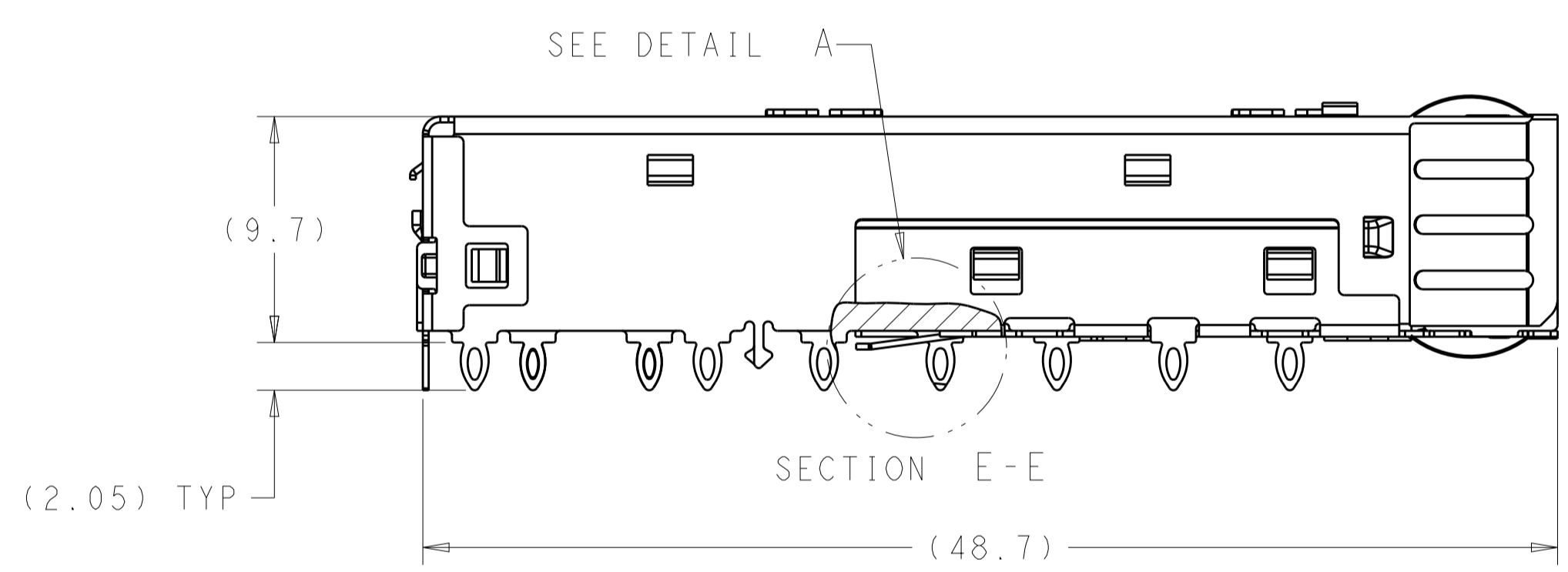
LOC	DIST	REVISIONS					
GP	00	P	LTN	DESCRIPTION	DATE	DWN	APVD
		A		INITIAL RELEASE	20MAY2015	JW	SH
		A1		ADD DASH-3	23NOV2015	JW	SH



2284170-1  
FINISHED ASSEMBLY



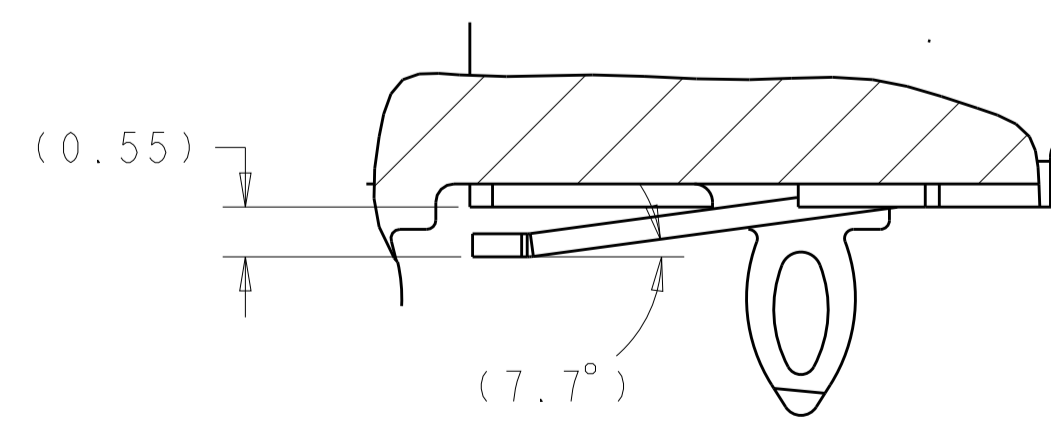
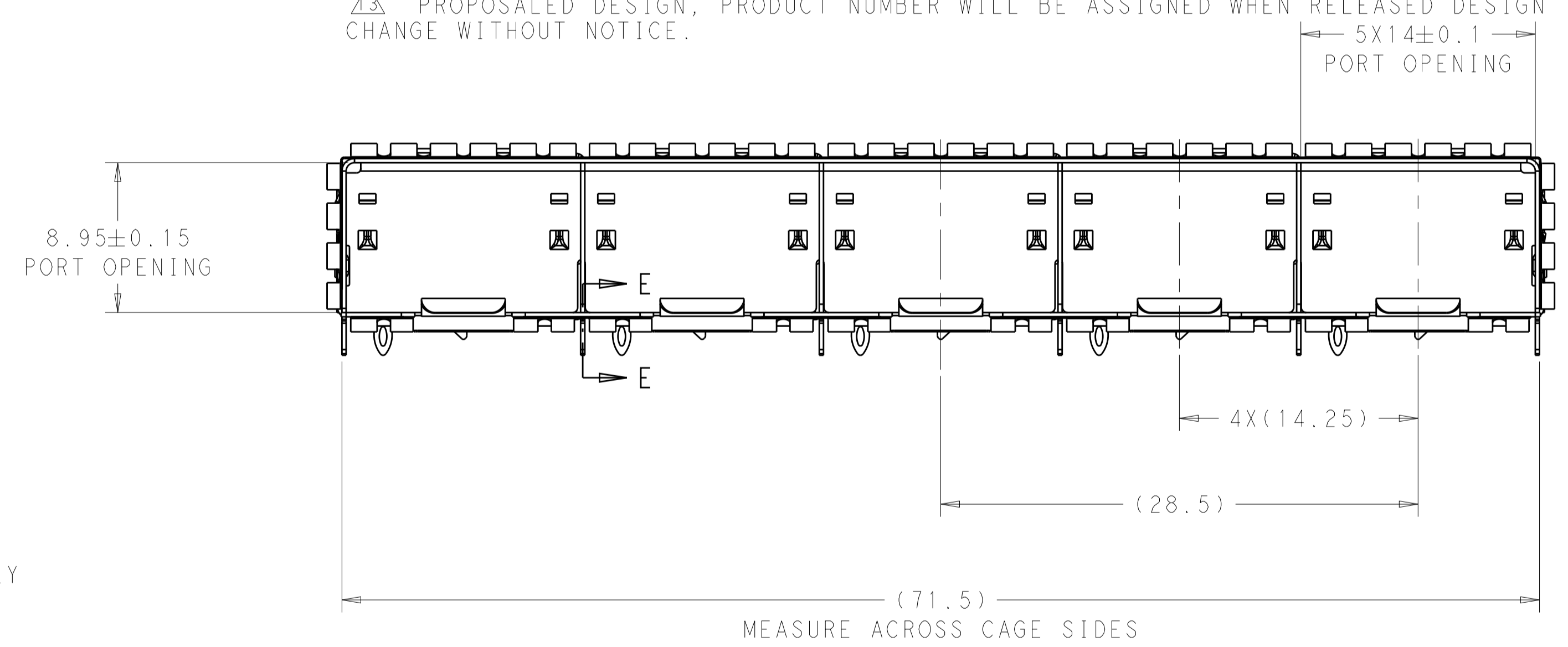
2284170-3  
FINISHED ASSEMBLY



SCALE 3:1

2284170-1  
MOUNTED BELLY TO BELLY ON PCB

1. MATERIAL: 0.25mm THICK NICKEL SILVER ALLOY.  
EMI SPRINGS: COPPER ALLOY.
  2. FINISH:  
SPRINGS: MINIMUM OF 0.8um TIN PLATE OVER A MINIMUM OF 0.8um NICKEL UNDERPLATE. NON-PLATED EDGES PERMISSIBLE.
  3. MATES WITH SFP MSA COMPLIANT TRANSCEIVERS.
  4. PADS AND VIAS CHASSIS GROUND.
  5. INTERPRETATION OF DATUM REFERENCE FRAME IN ACCORDANCE WITH SECT 4.4.1.1 OF ASME Y14.5M-1994.
  6. MINIMUM PCB BOARD THICKNESS:  
SINGLE SIDED = 1.45mm  
DOUBLE SIDED = 2.25mm
  7. HOLE PATTERN REPEATS FOR EACH PORT. SPACING BETWEEN PORTS IS 14.25mm.
  8. DATUM AND BASIC DIMENSION ESTABLISHED BY CUSTOMER.
  9. REFERENCE APPLICATION SPEC. 114-13120, HOLE A, FOR RECOMMENDED DRILL HOLE DIAMETER AND PLATING THICKNESS.
  10. REFERENCE APPLICATION SPEC. 114-13120, HOLE B, FOR RECOMMENDED DRILL HOLE DIAMETER AND PLATING THICKNESS.
  11. CERTAIN MATING TRANSCEIVERS MAY REQUIRE ADDITIONAL PCB THICKNESS THAT WOULD BE DETERMINED BY THE CUSTOMER.
  12. PRODUCT COMPLIES WITH SPECIFICATION SFF-8433 IMPROVED PLUGGABLE FORM FACTOR FOR SFP+ GANGED CAGES
13. PROPOSED DESIGN, PRODUCT NUMBER WILL BE ASSIGNED WHEN RELEASED DESIGN IS SUBJECT OF CHANGE WITHOUT NOTICE.



DETAIL A  
25X INDIVIDUALLY  
SCALE 12:1

NO	2284170-3
YES	2284170-1
HOLES FOR HEATSINK LOCKS FOR CLIP	PART NUMBER

THIS DRAWING IS A CONTROLLED DOCUMENT.

DWN: J. WANG 08AUG2014  
CHK: S. HAN 08AUG2014  
APVD: S. HAN 08AUG2014

DIMENSIONS:	TOLERANCES UNLESS OTHERWISE SPECIFIED:
mm	0 PLC ±0.25 1 PLC ±0.25 2 PLC ±0.25 3 PLC ±0.25 4 PLC ±0.25 ANGLES ±

MATERIAL: FINISH: -

Customer Drawing

PRODUCT SPEC: 108-2364  
APPLICATION SPEC: 114-13120  
WEIGHT: -

NAME: SFP+ ENHANCED 1X5 CAGE ASSEMBLY PRESS FIT, EXTERNAL EMI SPRINGS

SIZE: A1 CAGE CODE: 100779 DRAWING NO: 2284170

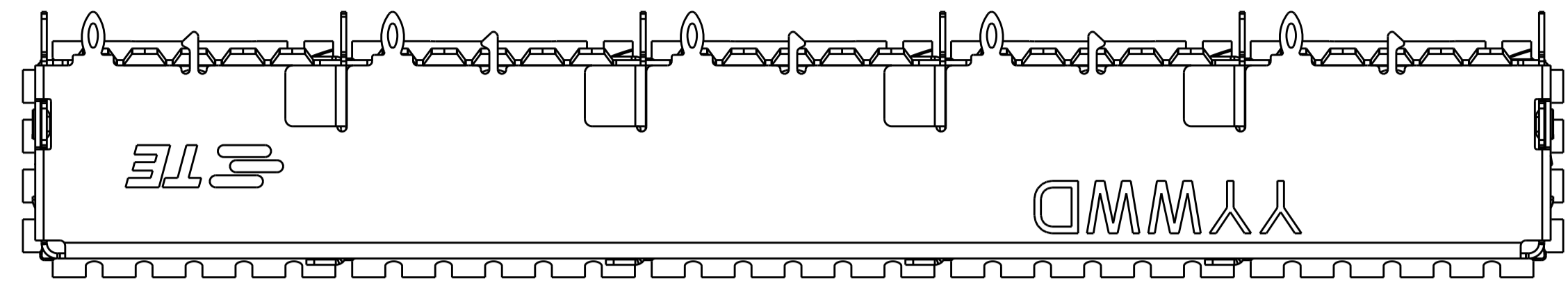
RESTRICTED TO: -

SCALE: 4:1 SHEET 1 OF 4 REV: A1

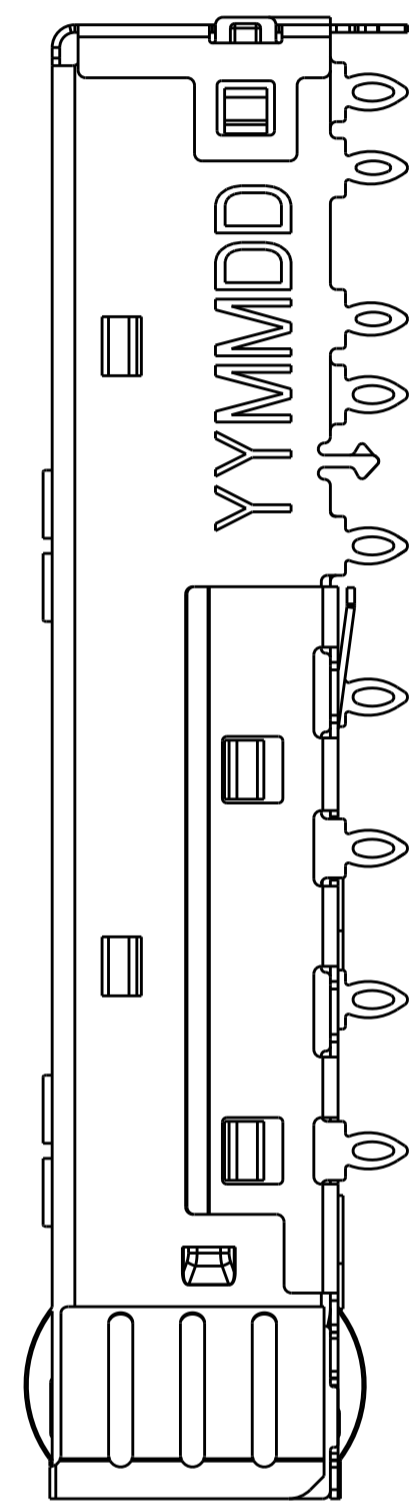
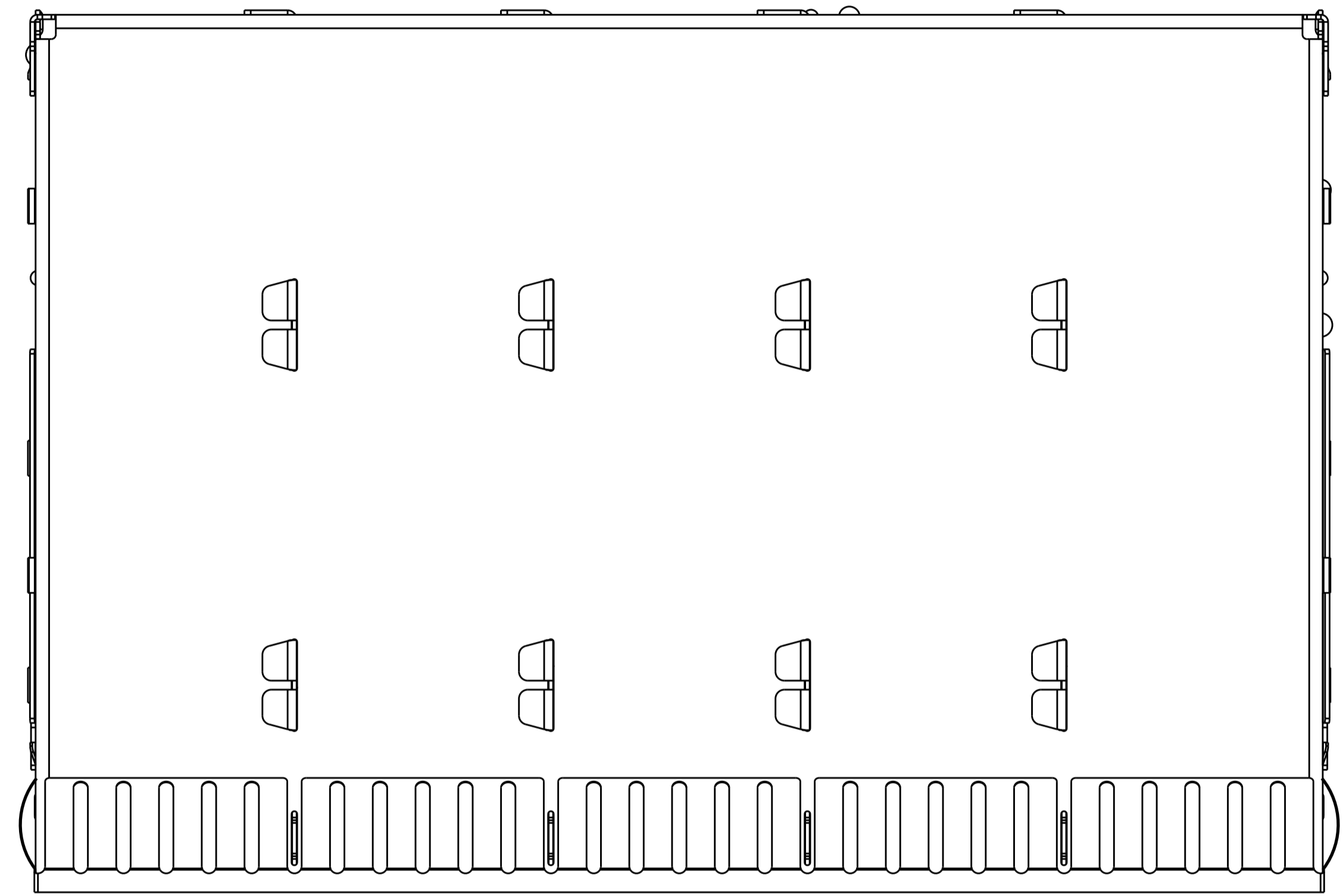
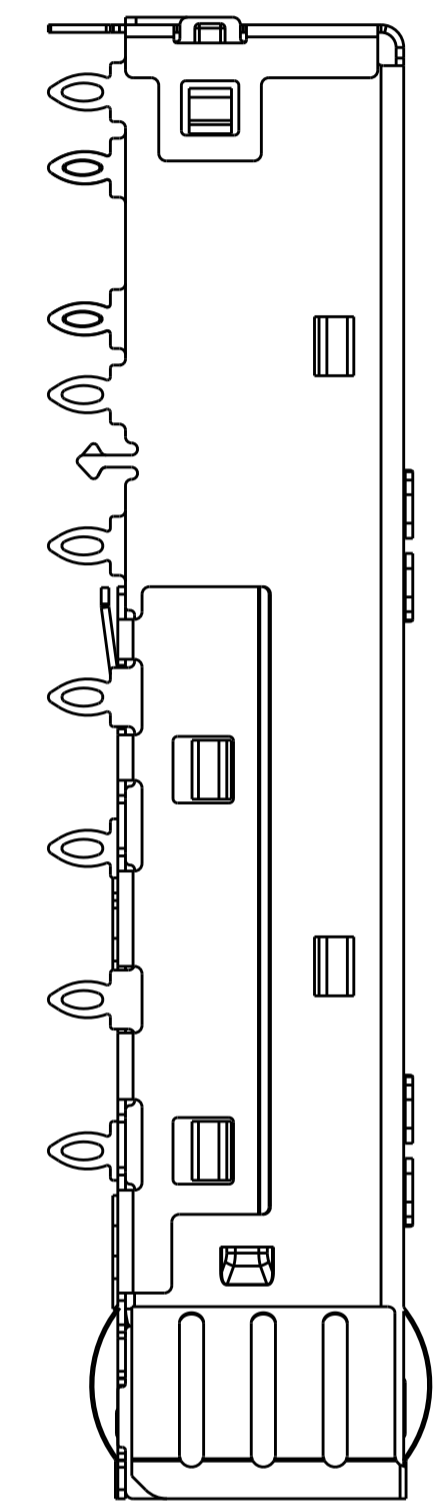
TE Connectivity

LOC		DIST		REVISIONS			
P	LTN	DESCRIPTION	DATE	DMN	APVD		
-		SEE SHEET 1					

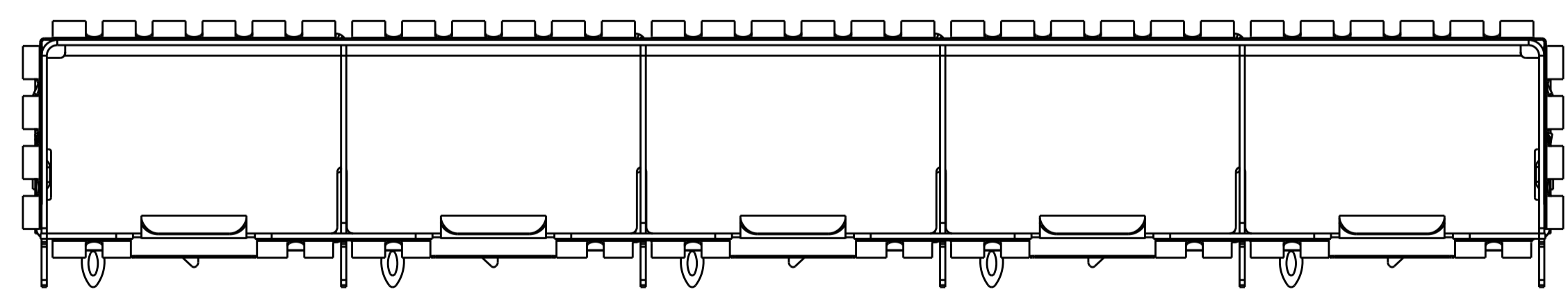
D



C



B

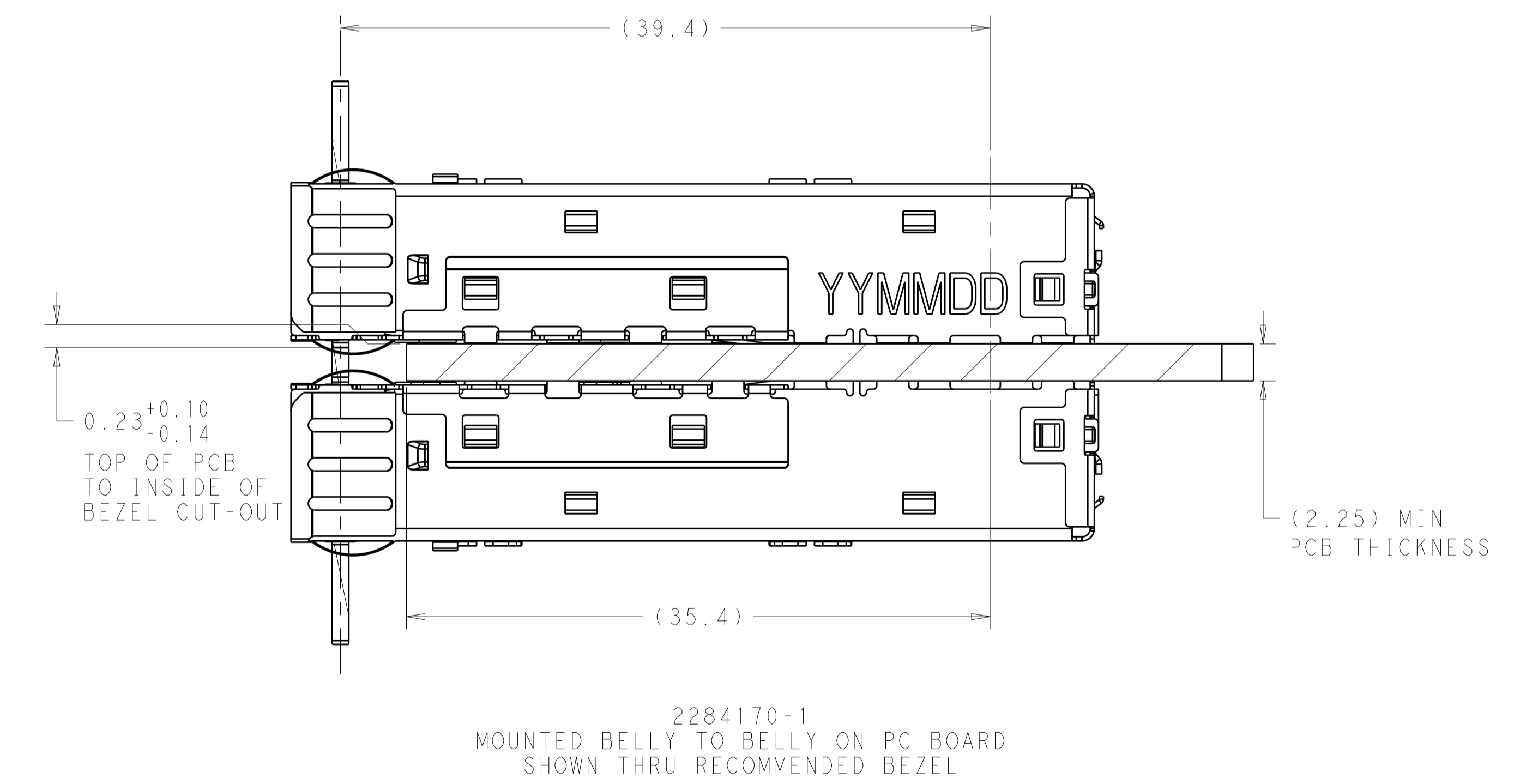
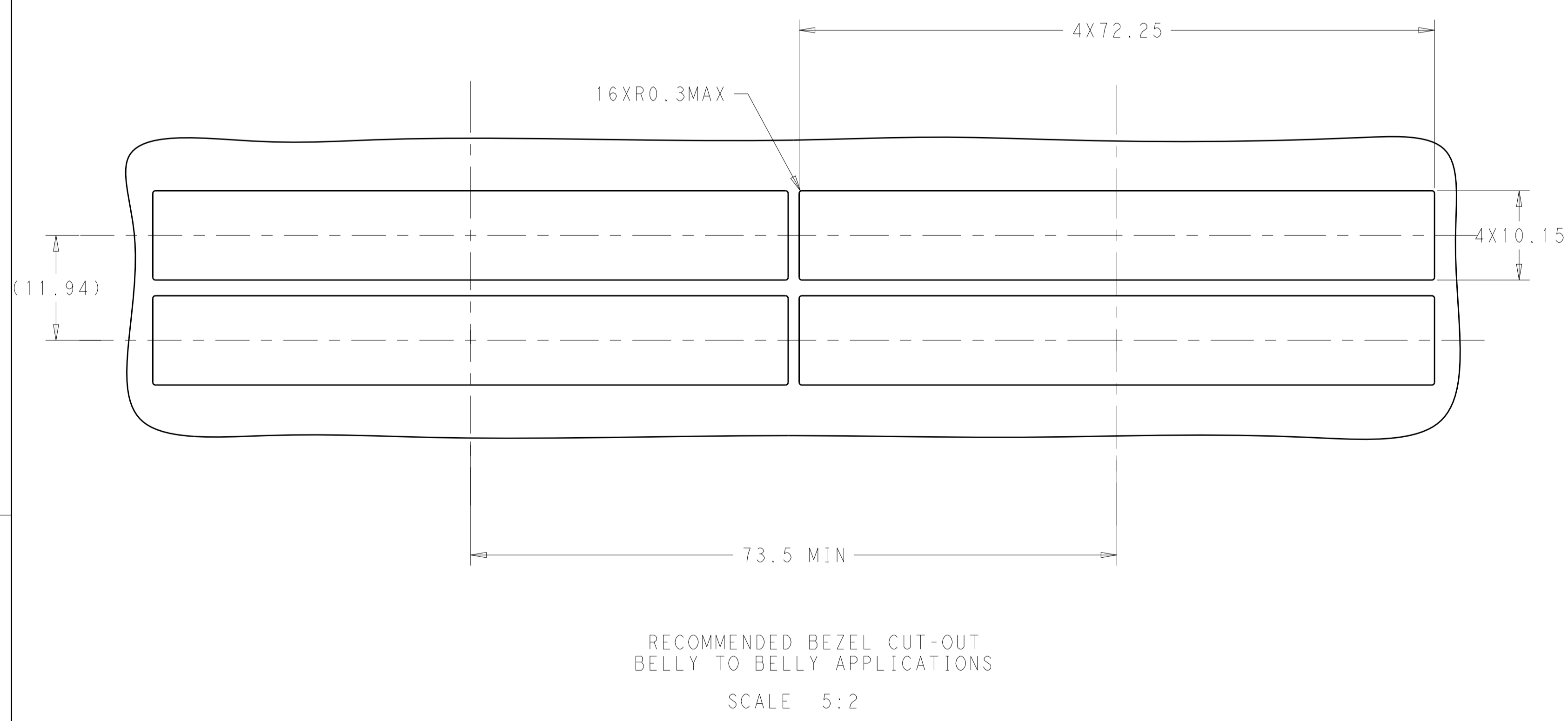
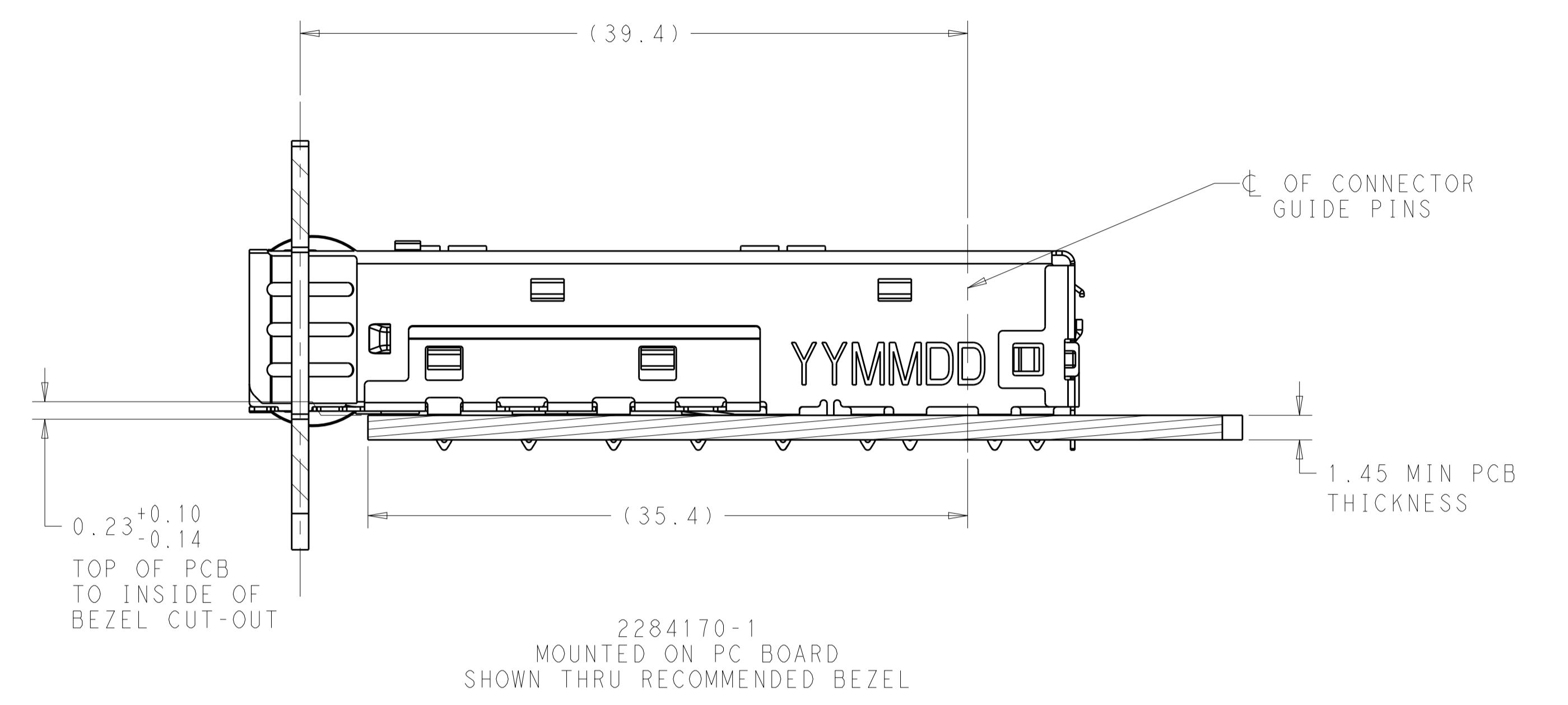
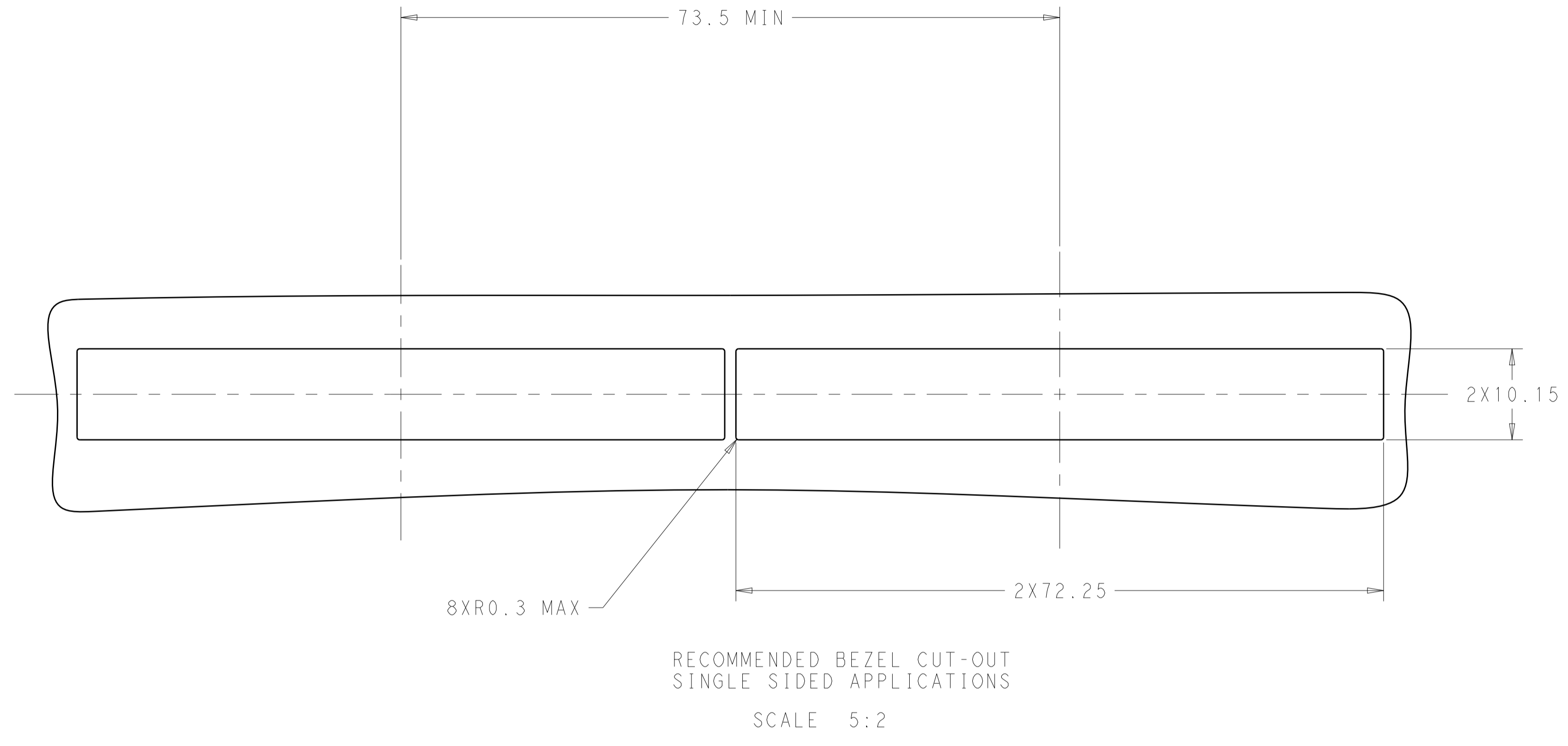


A

2284170-3 ALL DIMENSIONS ARE SAME AS 2284170-1  
 JUST REMOVE HOLES FOR HEATSINK ON TOP WALL  
 AND LOCK FOR CLIP ON TOP AND BACK WALL FROM 2284170-1

THIS DRAWING IS A CONTROLLED DOCUMENT.		DMN: J. WANG 08AUG2014	TE Connectivity
DIMENSIONS: mm		CHK: S. HAN 08AUG2014	
TOLERANCES UNLESS OTHERWISE SPECIFIED:		APVD: S. HAN 08AUG2014	NAME: SFP+ ENHANCED 1X5 CAGE ASSEMBLY PRESS FIT, EXTERNAL EMI SPRINGS
0 PLC ±0.1	1 PLC ±0.1	PRODUCT SPEC	SIZE: A1
2 PLC ±0.1	3 PLC ±0.1	APPLICATION SPEC	CAGE CODE: 108-2364
4 PLC ±0.1	ANGLES ±0.3	FINISH	DRAWING NO: 114-13120
MATERIAL:		WEIGHT: -	RESTRICTED TO: -
Customer Drawing		SCALE: 4:1	SHEET 2 OF 5
			REV: A1

LOC	DIST	REVISIONS			
GP	00	REV	DATE	BY	APPV
-	-	SEE SHEET 1	-	-	-



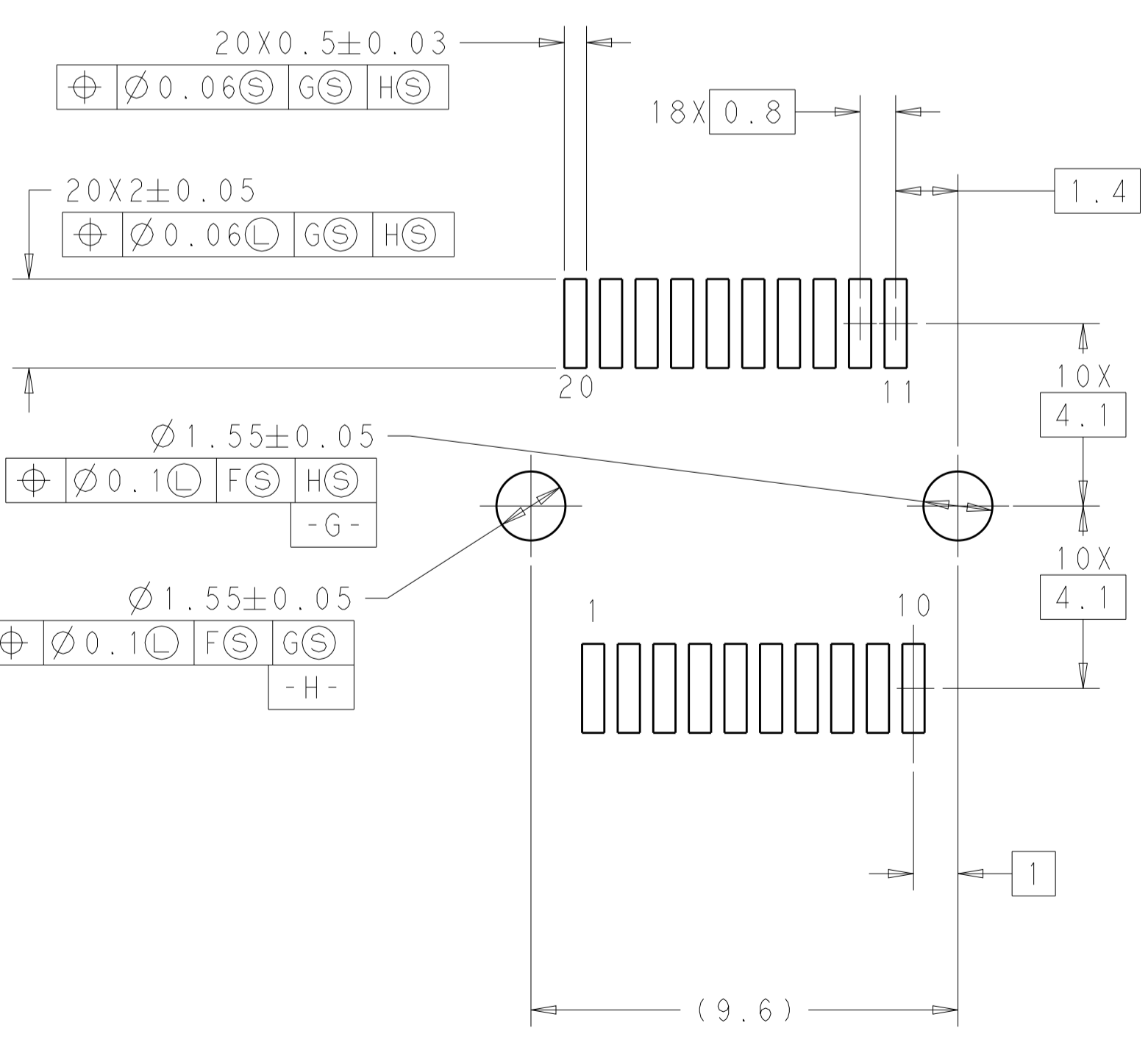
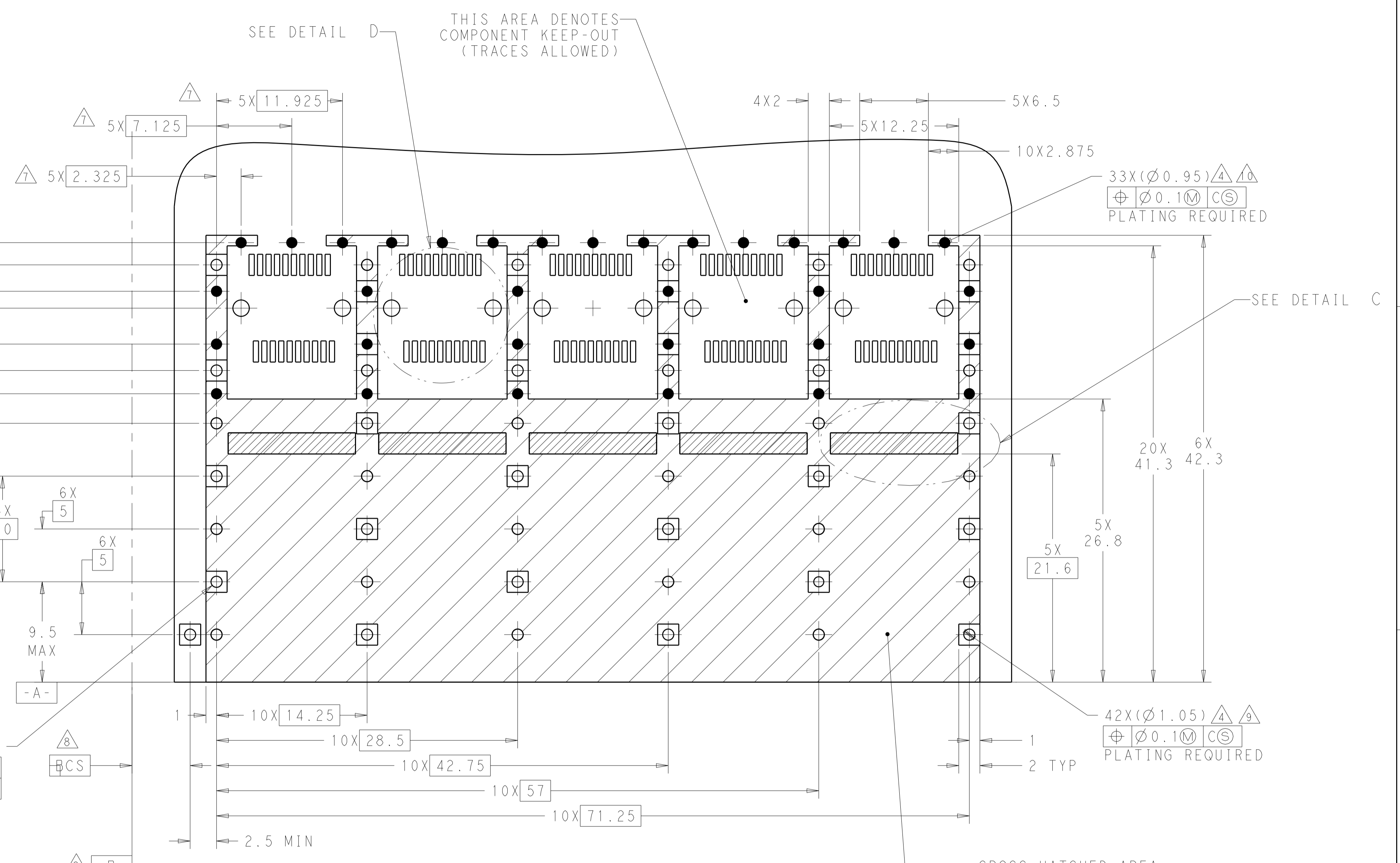
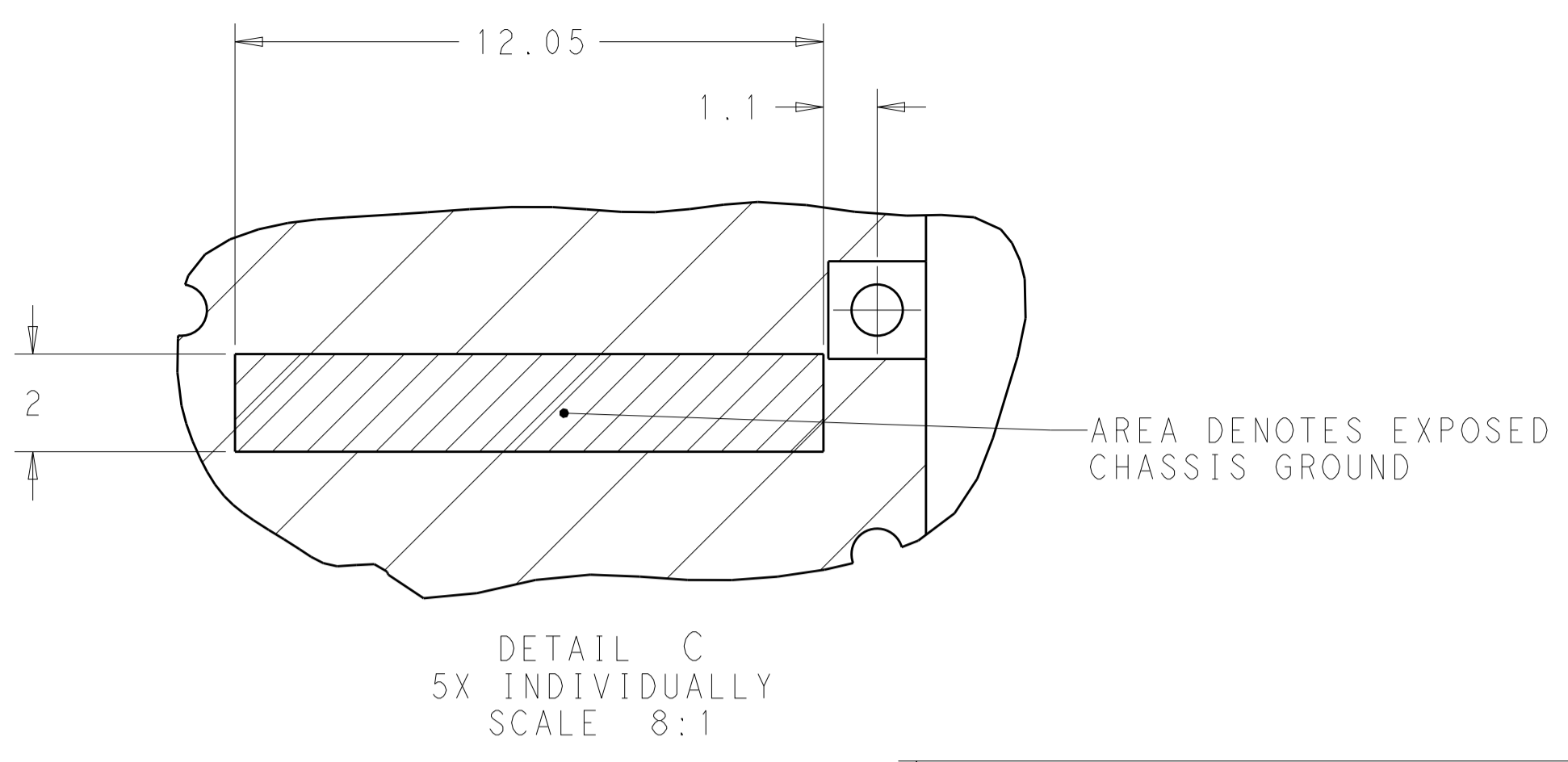
THIS DRAWING IS A CONTROLLED DOCUMENT.		DWN J. WANG 08AUG2014	TE Connectivity
DIMENSIONS: mm		CHK S. HAN 08AUG2014	
TOLERANCES UNLESS OTHERWISE SPECIFIED:		APVD S. HAN 08AUG2014	NAME SFP+ ENHANCED 1X5 CAGE ASSEMBLY PRESS FIT, EXTERNAL EMI SPRINGS
0 PLC ±0.1	1 PLC ±0.1	PRODUCT SPEC	SIZE CAGE CODE DRAWING NO RESTRICTED TO
2 PLC ±0.1	3 PLC ±0.1	108-2364	A100779C=2284170
4 PLC ±0.1	ANGLES ±	APPLICATION SPEC	SCALE 4:1 SHEET 3 OF 5 REV A1
MATERIAL	FINISH	114-13120	Customer Drawing



LOC	DIST	REV	DATE	BY	APPV
GP	00				

REVISIONS			
NO.	DESCRIPTION	DATE	BY
-	SEE SHEET 1	-	-



THIS DRAWING IS A CONTROLLED DOCUMENT.		OWN: J. WANG 08AUG2014	 TE Connectivity
DIMENSIONS: mm		CHK: S. HAN 08AUG2014	
TOLERANCES UNLESS OTHERWISE SPECIFIED:		APPV: S. HAN 08AUG2014	NAME: SFP+ ENHANCED 1X5 CAGE ASSEMBLY PRESS FIT, EXTERNAL EMI SPRINGS
0 PLC ±0.1	1 PLC ±0.1	PRODUCT SPEC 108-2364	SIZE: CAGE CODE DRAWING NO. RESTRICTED TO
2 PLC ±0.1	3 PLC ±0.1	APPLICATION SPEC 114-13120	A100779C=2284170
4 PLC ±0.1	ANGLES ±	WEIGHT	SCALE 4:1 SHEET 5 OF 5 REV A1
MATERIAL	FINISH	Customer Drawing	