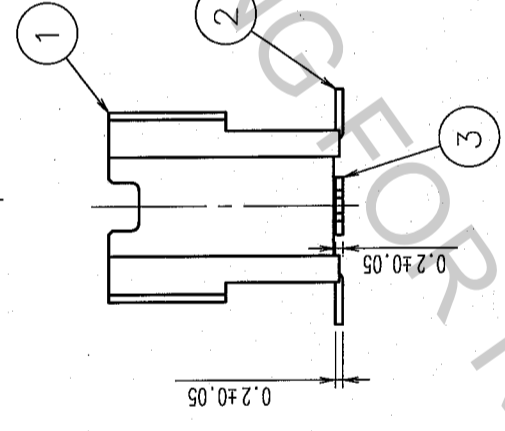
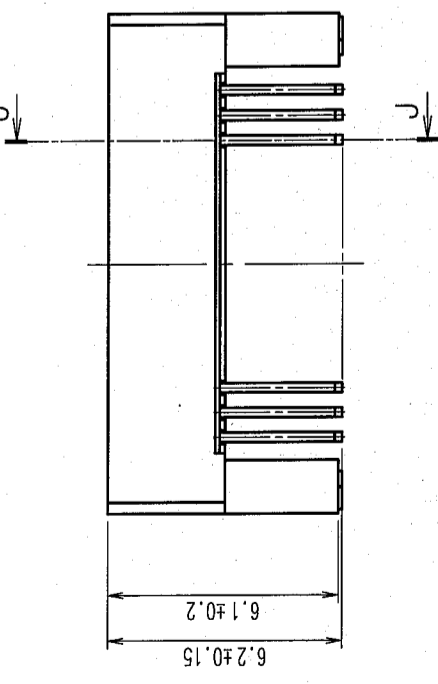
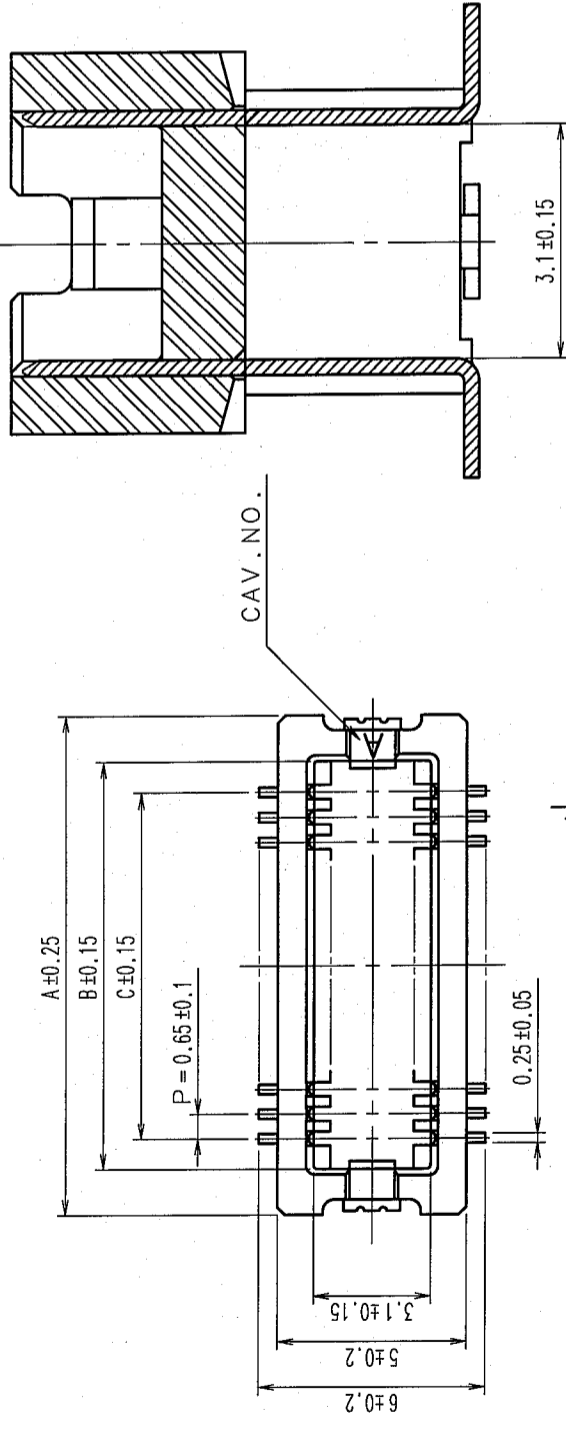


In case that the application demands a high level of reliability, such as automotive, please contact a company representative for further information.

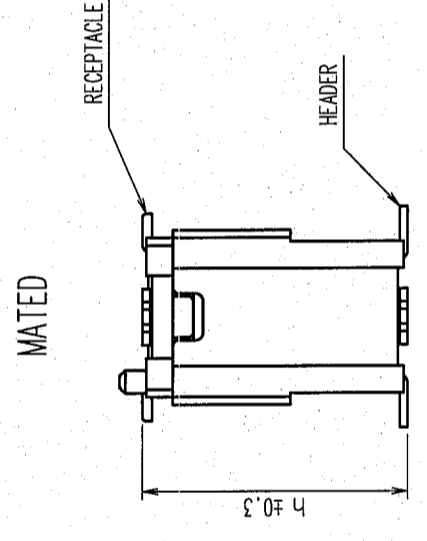
J-J (10:1)



RECOMMENDED PATTERN

PART NO.	CODE NO.	CONTACT	A	B	C	D	E	F	G	H
DF15B(6.2)-200P-0.65V(56)	CL677-0182-4-56	20	9.85	7.45	5.85	9.65	8.45	7.05	7.85	10.25
DF15B(6.2)-300P-0.65V(56)	CL677-0183-7-56	30	13.1	10.7	9.1	12.9	11.7	10.3	11.1	13.5
DF15B(6.2)-400P-0.65V(56)	CL677-0184-0-56	40	16.35	13.95	12.35	16.15	14.95	13.55	14.35	16.75
DF15B(6.2)-500P-0.65V(56)	CL677-0185-2-56	50	19.6	17.2	15.6	19.4	18.2	16.8	17.6	20.0

NOTES 1. LEAD CO-PLANARITY INCLUDE REINFORCED METAL FITTINGS SHALL BE 0.1 mm MAX.



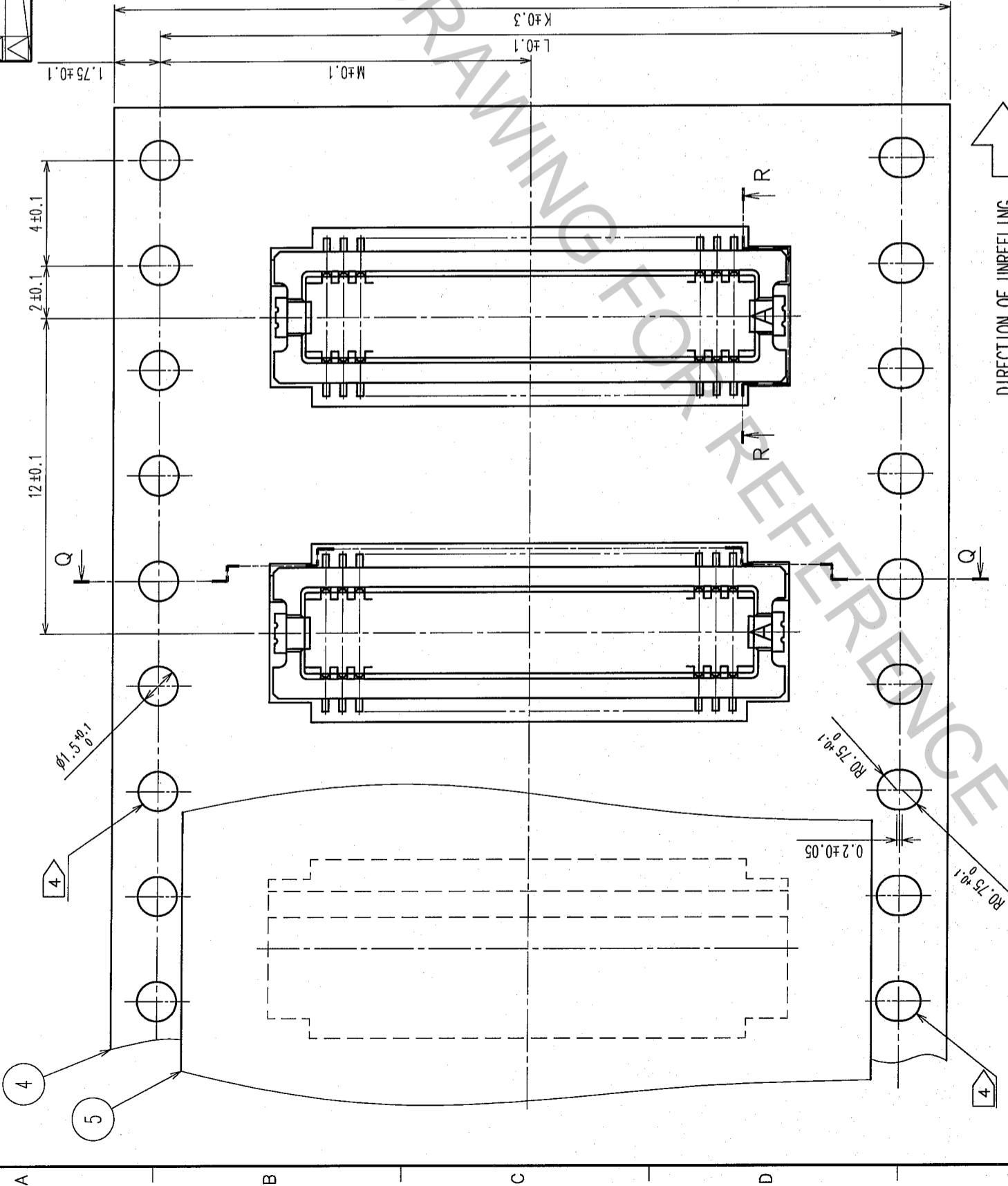
MATED HEIGHT (h)	RECEPTACLE NO.	HEADER NO.	DF15B(6.2)-*DP-0.65V(56)
7	DF15#(0.8)-*DS-0.65V(56)		
8	DF15#(1.8)-*DS-0.65V(56)		

NO.	MATERIAL	FINISH, REMARKS	NO.	MATERIAL	FINISH, REMARKS
1	PHOSPHOR BRONZE	CONTACT AREA: GOLD PLATED $0.1 \mu\text{m min}$	6	PS	BLACK (PLASTIC REEL)
2	POLYAMIDE (PA6T)	LEAD AREA: TIN PLATED $1 \mu\text{m min}$	5	POLYESTER	CLEAR (COVER TAPE)
		UNDER PLATING: NICKEL PLATED $1 \mu\text{m min}$	4	PS	CLEAR (EMBOSSED CARRIER TAPE)
		NATURAL (BEIGE), UL94V-0	3	BRASS	TIN PLATED $1 \mu\text{m min}$
					UNDER PLATING: NICKEL PLATED $1 \mu\text{m min}$

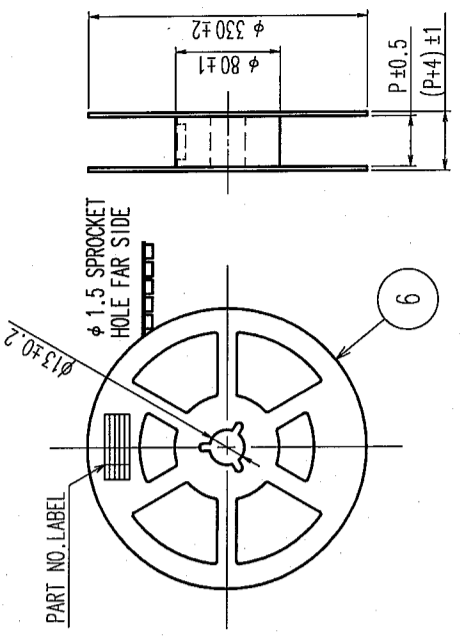
CODE NO. (OLD)	DRAWN	DESIGNED	CHECKED	APPROVED	RELEASED
	<i>A. Mochizuki</i>	<i>J. Mochida</i>	<i>T. Higashida</i>	<i>K. Okada</i>	
	06.02.07	06.02.07	06.02.07	06.02.07	
DRAWING NO.	PART NO.				
EDC3-302783-06	DF15B(6.2)-*DP-0.65V(56)				
SCALE	CODE NO.				
5 : 1	CL677				
UNITS	HIROSE ELECTRIC CO., LTD				
ITTT					

In case that the application demands a high level of reliability, such as automotive, please contact a company representative for further information.

NO.	DATE	BY	CHKD	DESCRIPTION OF REVISIONS	COUNT	7	8



STYLE AND DIMENSION OF REEL (FREE)



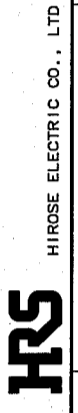
DETAIL OF PART NO. LABEL

SUPPLIER	年 月 日
QUANTITY	CL677-*****-56
PART NO.	DF15B(6.2)*DP-0.65V(56)
CODE NO.	1000 Ko
DATE OF MANUFACTURE	ヒロセ電機(株)

- NOTES
- 1 REEL: 1000 CONNECTORS.
 - 2: AT THE BEGINNING OF THE REEL, 30 COMPONENTS SHALL BE EMPTY. AT THE END OF THE REEL, 20 COMPONENTS SHALL BE 'EMPTY'.
 - 3: WHEN THE TAPE WIDTH IS 32mm, BOTH SIDES OF REEL AS SHOWN ON THIS DRAWING.
 - 4: PEEL FORCE REFERS TO JIS C 0806.

PART NO.	CODE NO.	K	L	M	N	P
DF15B(6.2)-20DP-0.65V(56)	CL677-0182-4-56	16.0	-	7.5	10.15	17.5
DF15B(6.2)-30DP-0.65V(56)	CL677-0183-7-56	24.0	-	11.5	13.4	25.5
DF15B(6.2)-40DP-0.65V(56)	CL677-0184-0-56	24.0	-	11.5	16.65	25.5
DF15B(6.2)-50DP-0.65V(56)	CL677-0185-2-56	32.0	28.4	14.2	19.9	33.5

DRAWING NO.	EDC3-302783-06	PART NO.	DF15B(6.2)*DP-0.65V(56)
SCALE	FREE	CODE NO.	1000
UNITS	mm		
DRAWN	A. Murakami	CHECKED	T. Miyagaki
DESIGNED	J. Michida	APPROVED	K. Shoda
	06-02-07		06-02-07
	06-02-07		06-02-07



CL677-

2/2