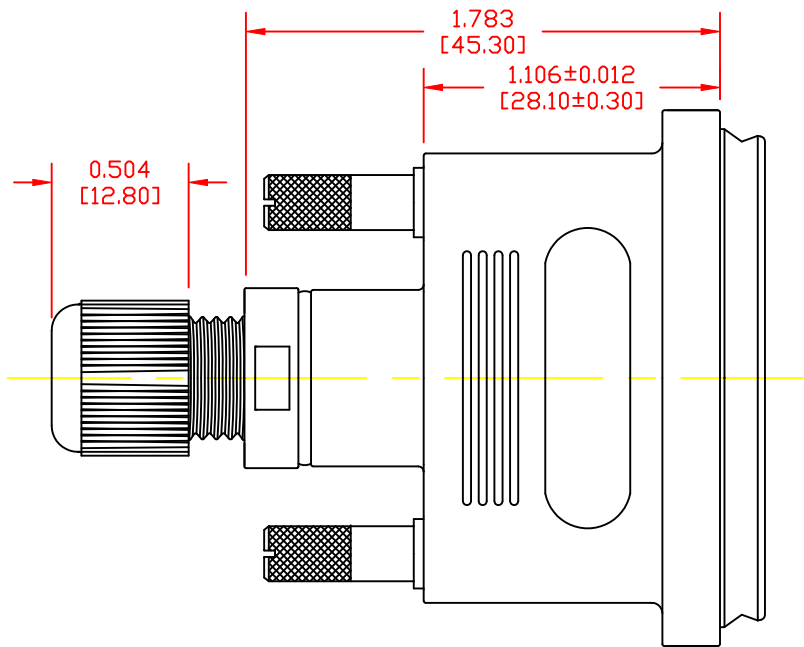
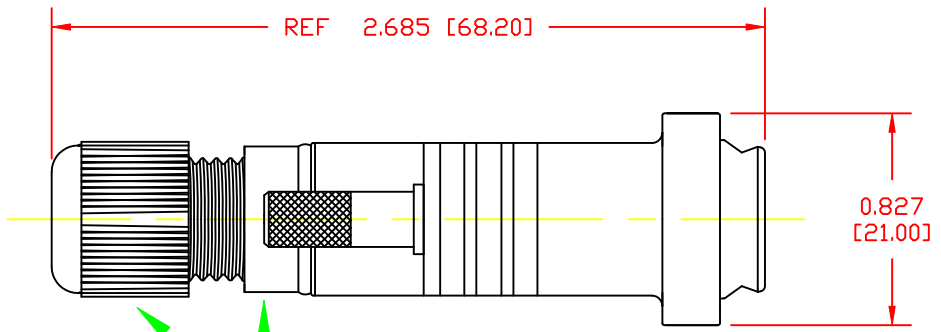


DESCRIPTION: IP67 - 15 POSITION PLASTIC BACKSHELL - ONLY



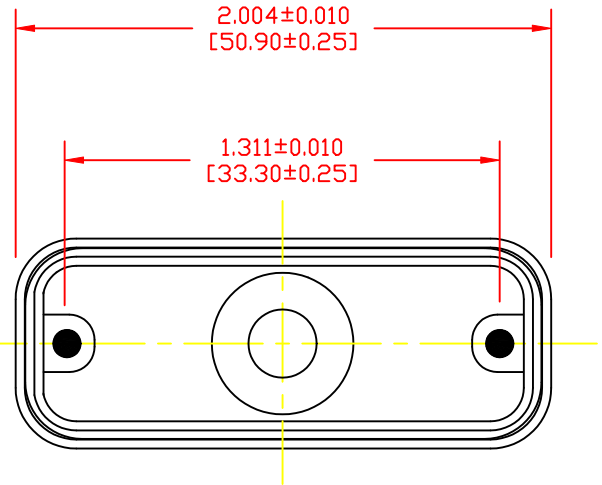
MATERIAL & FINISH:

- BACKSHELL: ABS - UL HB RATED, BLACK COLOR
- BAUSHINGS & BAFFLE: SILICONE
- 4-40 THUMBSCREWS: BRASS, NICKEL PLATED
- TEMPERATURE: -50°C TO 125°C
- CABLE DIAMETER: 0.300 inches [7.62mm] Max.
0.100 inches [2.54mm] Min.




TORQUE SETTING
 6.075-9.547 in.lbs
 [7-11 kgf.cm]

RoHS COMPLIANT



DO NOT SCALE FROM DRAWING

	THESE DRAWINGS AND SPECIFICATIONS ARE THE PROPERTY OF NorComp AND SHALL NOT BE REPRODUCED, COPIED OR USED AS THE BASIS FOR THE MANUFACTURE OF SALE OF APPARATUS WITHOUT WRITTEN PERMISSION.			DRAWN: M. SIGMON	DATE: 12-15-10		
	NorComp				CHECKED:	DATE:	
SCALE: 2 : 1					SHEET 1	OF 1	REV 4
DWG NO. 967-015-010R011							